

Large Screen Dual Rail LCD Console Drawer



1U 23.8" Widescreen 1920x1080 Ultra High Resolution LCD Console Drawer
Screen Pivot with DVI & VGA Port, Dual slide rails, 104-key keyboard with touch pad mouse, Build in 2x 2 watts speakers

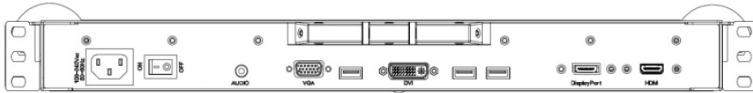
Model: ASK2380e

FEATURES:

- 1U 23.8 inch widescreen LCD Console Drawer
- Screen Pivot with DVI & VGA Port
- Dual slide rails capable LCD screen and keyboard tray independent operate
- 1920 x 1080 Ultra high resolution
- Support FHD with 1080p resolution.
- Front 1xUSB, Rear 2xUSB 2.0 Type A, Sharing USB peripheral device for computer (ex, flash disk, hard driver, KB/Mouse)
- 104-key keyboard with touch pad mouse.
- USB 2.0 Keyboard & Mouse
- Build in 2x 2 watts speakers

OPTIONS:

- HDMI or Display Port input
- 9~36VDC Power



Rear View



SPECIFICATIONS

No. of ports		1
KVM Connectors		DVI-D, VGA, USB
LCD	Size	23.8 inch FULL HD display
	Backlight	LED
	Resolution	1920*1080 (support resolution up to 1920*1200)
	Max.color	16.7M
	Luminance	250 cd/m2
	View Angel (H/V)	178 / 178
	Contrast Ratio	1000 : 1
USB HUB	1x Front , 2x Rear USB 2.0 Type A for peripheral USB devices	
Audio	1 x 3.5mm Audio jack	
KB/Mouse Emulation	USB 2.0	
Rack Depth	600mm to 950mm	
Power	100-240V AC 50/60Hz via IEC Type power cord	
Environment	Operation temp: 0 to 50°C Storage temp: -20 to 60°C Humidity: 10% - 90%, non-condensing Shock: 10G acceleration (11ms duration) Vibration: 17 to 500Hz 1G PTP	
Physical Dimensions (W x H x D) / Net Weights (KGs)	448x44x635mm / 20 KGs	
Packing Dimensions (W x H x D) / Gross weights (KGs)	620x230x920mm / 26 KGs	

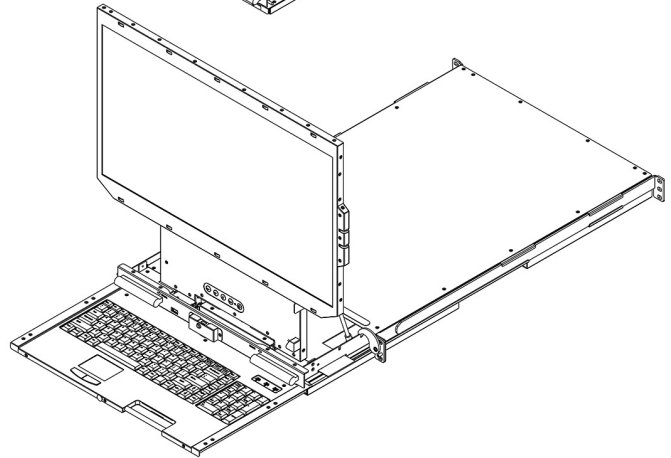
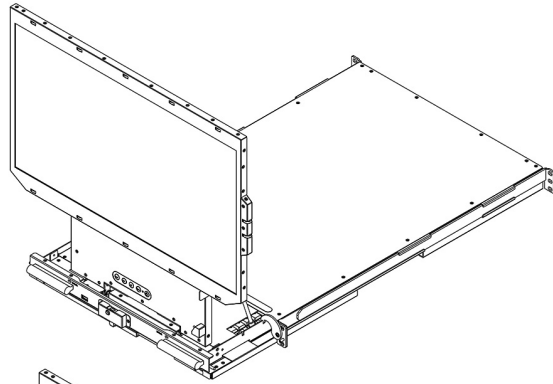
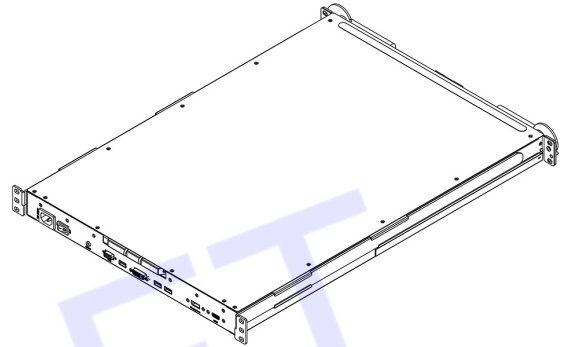
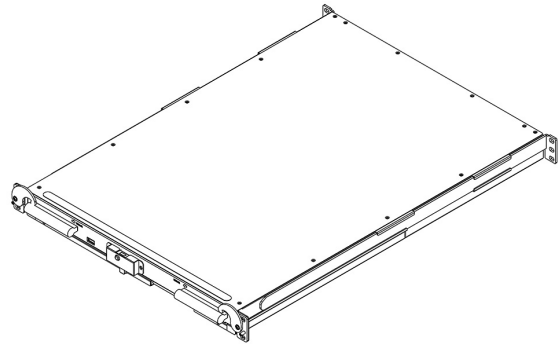
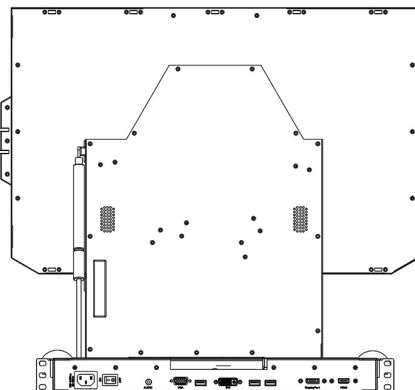
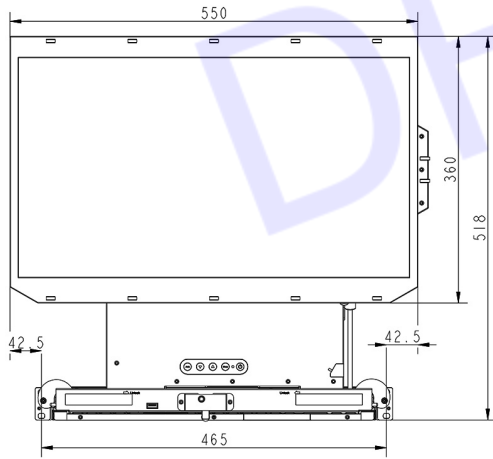
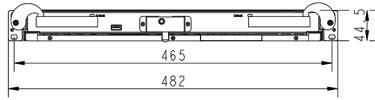
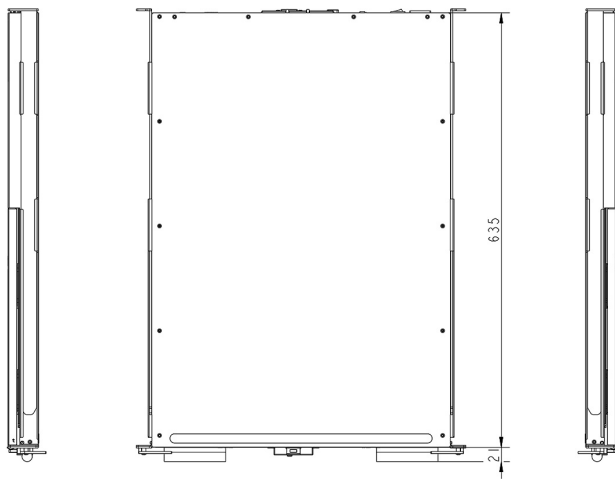
Accessories

1.8 meter IEC Type Power Cord , 1.8 meter DVI-D Cable, 1.8 meter VGA Cable , 1.8 meter USB Cable , 1.8 meter Audio Cable (one each)

**Specifications subject to change without notice, not responsible for typographical errors.*

DRAWINGS:

This is subject to change without Notice. Final Drawings Will be Provided for Approval after Order.



Drawing no.: ASK2380e-02222024-V1