

# Rack Mount Triple LCD Display Drawer (Screen Pivot)

3U 23.8" 1920x1080 Widescreen Triple LCD Rackmount LCD Drawer 3x DP & VGA Port, Self-locking and single Rails and auto release rails for ultra convenience and built in speakers, 762mm. 30" deep.

Model: ARP3DW2400-DP



## FEATURES:

- 3U foldable triple 23.8" widescreen LCD display Drawer
- Triple DP & VGA Port
- native 1920 x 1080 FHD resolution
- Build in 2x 2 watts speakers
- Independent front OSD control buttons to optimized display

## OPTION:

- Composite video input
- HDMI or Display port input
- 3G / HD / SD-SDI broadcast grade input
- DC 9~36 V power input
- AR Hardness glass
- Touch screen

## SPECIFICATIONS

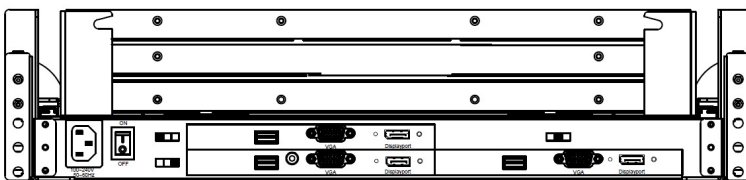
LCD Characteristics	
Screen Size	Triple 23.8"
Backlight Type	LED
Native Resolution	1920 x 1080
Contrast Ratio	1000:1
Brightness ( cd/m2 )	250
View Angles ( H/V )	178/178
Pixel Size ( HxV ) mm	0.2745x0.2745
Max. Color	16.7M

Input Signals:	
DP	Triple DP Connector (Female)
VGA	Triple D-SUB 15Pin Connector (Female)
Audio	1x 3.5" Jack
Power Input	Standard IEC Inlet
Touch-USB ( option )	Triple USB A Type connector
Touch-RS232 ( option )	Triple D-SUB 9P connector ( Female )

Power Specifications :	
AC Power Input	Standard IEC Type Power Cord with Internal Power adapter, 100-240V AC Input
Wide Range DC Power Input ( option )	Screw Type Terminal Block with internal wide Range DC 9-36V power module

User Controls Interface:	
Power ON / OFF via Front Button	
Power Mode Status LED indicator	
OSD ( On Screen Display ) Buttons	

Mechanical and Environment:	
Height	3U Foldable
Rack Depth	30" to 40" ( cabinet front rail to rear rail )
Construction	Metal Housing
Operating Temperature	0 - 50 deg. C
Operating Humidity	10% - 90% ( non -condensing )
Anti-Vibration	5 - 500 Hz / 1 Grms PTP
Anti-Shock	15G / Peak ( 11 ms )
Physical Dimension (WxHxD)	443 x 133 x 762 (mm)
Packing Dimension (WxHxD)	(mm)
Net Weight / Gross Weight	(KGs)
Certification and Approvals	CE / FCC / RoHs

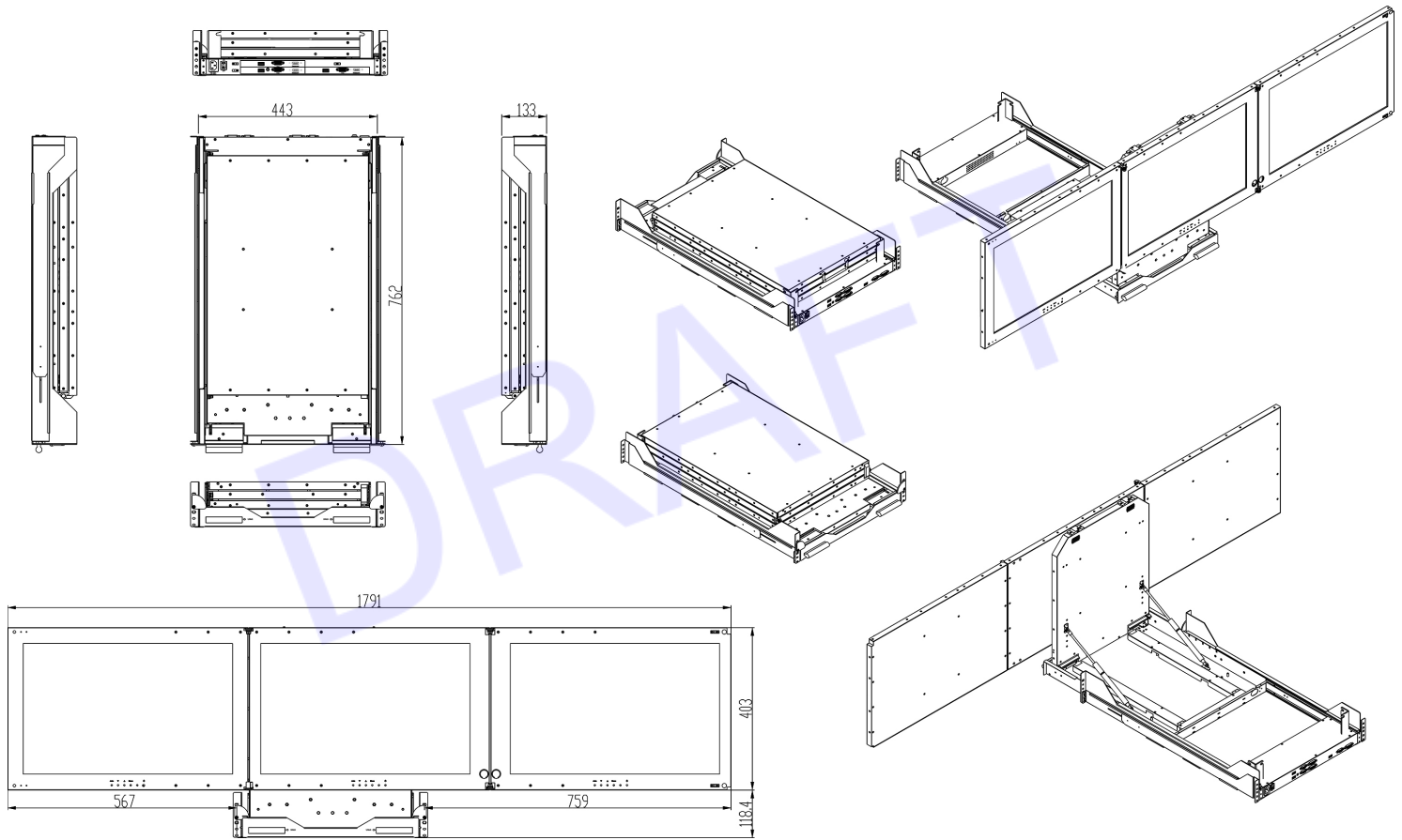


\*Specifications subject to change without notice, not responsible for typographical errors.



**MECHANICAL DRAWINGS:**

*This is subject to change without Notice. Final Drawings Will be Provided for Approval after Order.*



Drawing No.: ARP3DW2400-DP-03172022-V1

