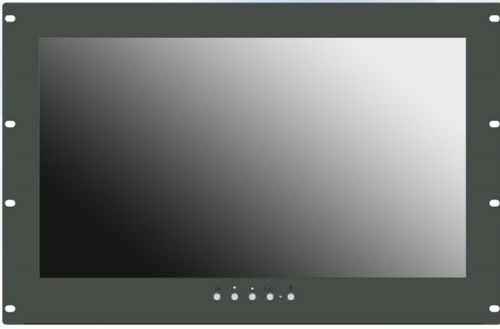


7U RACKMOUNT LCD MONITOR

7U 19" widescreen LCD display, 1920 x 1080
VGA + HDMI 350nits, LED Backlight, Contrast 1200:1
72~144V DC Power+ 5 wires Resistive Touch screen
w/ USB controller



Model: APW719-TR-125VDC

FEATURES:

- Compact 19-inch rack-mountable unit, standing at 7U in height.
- Equipped with an 18.5-inch LCD panel that supports a 1920 x 1080 resolution.
- Offers VGA, HDMI, and audio input options.
- Constructed with a sturdy steel chassis and features hardened glass to protect the screen.
- Front-mounted OSD control buttons for optimizing display settings.
- Includes built-in 2x 2-watt stereo speakers.

SPECIFICATIONS

LCD CHARACTERISTICS	
Screen Size	18.5 inch
Backlight Type	LED
Resolution	1920 x 1080
Contrast Ratio	1200:1
Brightness (cd/m2)	350
View Angles (H/V)	170/170
Pixel Size (HxV) mm	0.213x0.213
Max. Color	16.7M

INPUT SIGNALS	
HDMI	HDMI Connector (Female)
VGA	D-SUB 15Pin Connector (Female)
Audio	3.5" Jack

POWER SPECIFICATIONS	
Wide Range DC Power Input	Screw Type Terminal Block with internal wide Range DC 72~144V power module

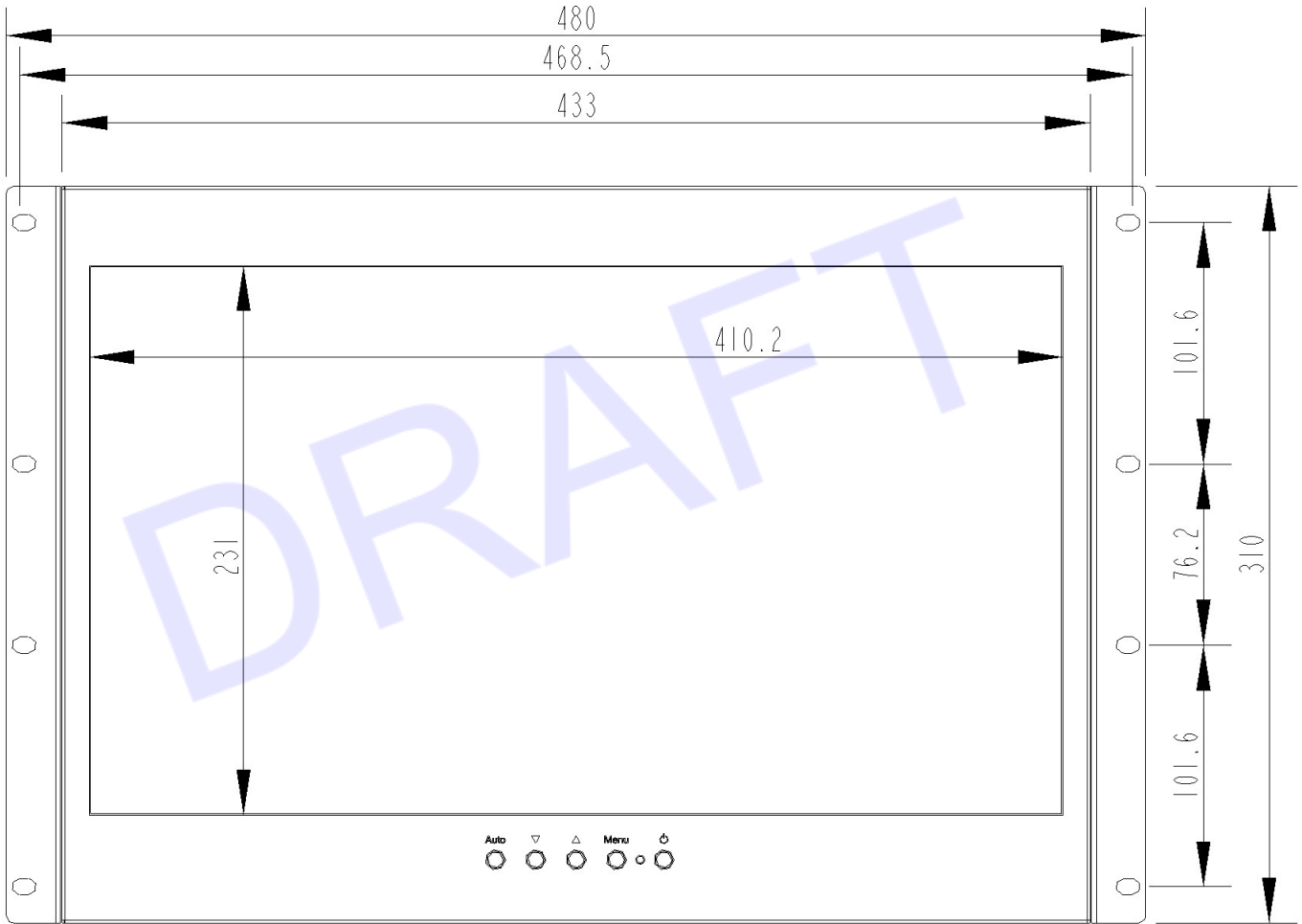
USER CONTROLS INTERFACE	
Power ON / OFF via Front Button	
Power Mode Status LED indicator	
OSD (On Screen Display) Buttons	

MECHANICAL AND ENVIRONMENT	
Height	7U
IP Protect	N/A
Mounting	VESA Mount and Rack Mount
Construction	Metal Housing
Operating Temperature	-30 ~ 80 deg. C
Operating Humidity	5% - 95% (non -condensing)
Anti-Vibration	5 - 500 Hz / 1 Grms PTP
Anti-Shock	15G / Peak (11 ms)
Physical Dimension (WxHxD)	480 x 310 (7U) x 61 (mm) <i>estimated</i>
Packing Dimension (WxHxD)	650 x 510 x 250 (mm) <i>estimated</i>
Net Weight / Gross Weight	10 /13.5 KG <i>estimated</i>

**Specifications is subject to change without notice, not responsible for typographical errors.*

MECHANICAL DRAWINGS:

This is subject to change without Notice. Final Drawings Will be Provided for Approval after Order.



Drawing no.: APW719-TR-125VDC-11082023-V1