

# 6U RACKMOUNT INDUSTRIAL DISPLAY



6U Rackmount 17.3" TFT 300nits LCD Rackmount Monitor Front Panel. Resolution VGA+DVI+HDMI. 1920x1080, Front OSD 90° Tilt Adjustment While Mounted in Rack: 45° ~ -45° (V) 2x2 Watts Speakers.

\*\*\*Side bracket can be removed by user\*\*\*

Model: ANPW617-H

## FEATURES:

- Compact 19 inch rack mountable with 6U height
- 17.3 inch widescreen LCD panel
- 1920 x 1080 WUXGA Ultra high resolution
- Support FHD with 1080p resolution
- VGA + HDMI + DVI, Audio input
- 90° tilt adjustment while mounted in rack: 45° ~ -45° (V)
- Heavy duty steel chassis with hardness glass protect screen
- Front osd control buttons to optimized display
- Build in 2x 2watts stereo speakers

## OPTION:

- Composite video input
- HDMI or Display port input
- 3G / HD / SD-SDI broadcast grade input
- DC 9~36 V power input
- AR Hardness glass
- Touch screen

## SPECIFICATIONS

LCD CHARACTERISTICS	
Screen Size	17.3 inch widescreen
Backlight Type	LED
Resolution	1920x1080
Contrast Ratio	400:1
Brightness ( cd/m2 )	300
View Angles ( H/V )	140/120
Pixel Size ( HxV ) mm	0.1989x0.1989
Max. Color	262K
MTBF( Hrs.)	10,000

INPUT SIGNALS	
DVI-D	DVI-D 24Pin Connector (Female)
VGA	D-SUB 15Pin Connector (Female)
HDMI	HDMI x1
Audio	3.5" Jack
Power Input	Standard IEC Inlet
Touch-USB ( option )	USB A Type connector
Touch-RS232 ( option )	D-SUB 9P connector ( Female )

POWER SPECIFICATIONS	
AC Power Input	Standard IEC Type Power Cord with Internal Power adapter, 100-240V AC Input
Wide Range DC Power Input ( option )	Screw Type Terminal Block with internal wide Range DC 9-36V power module

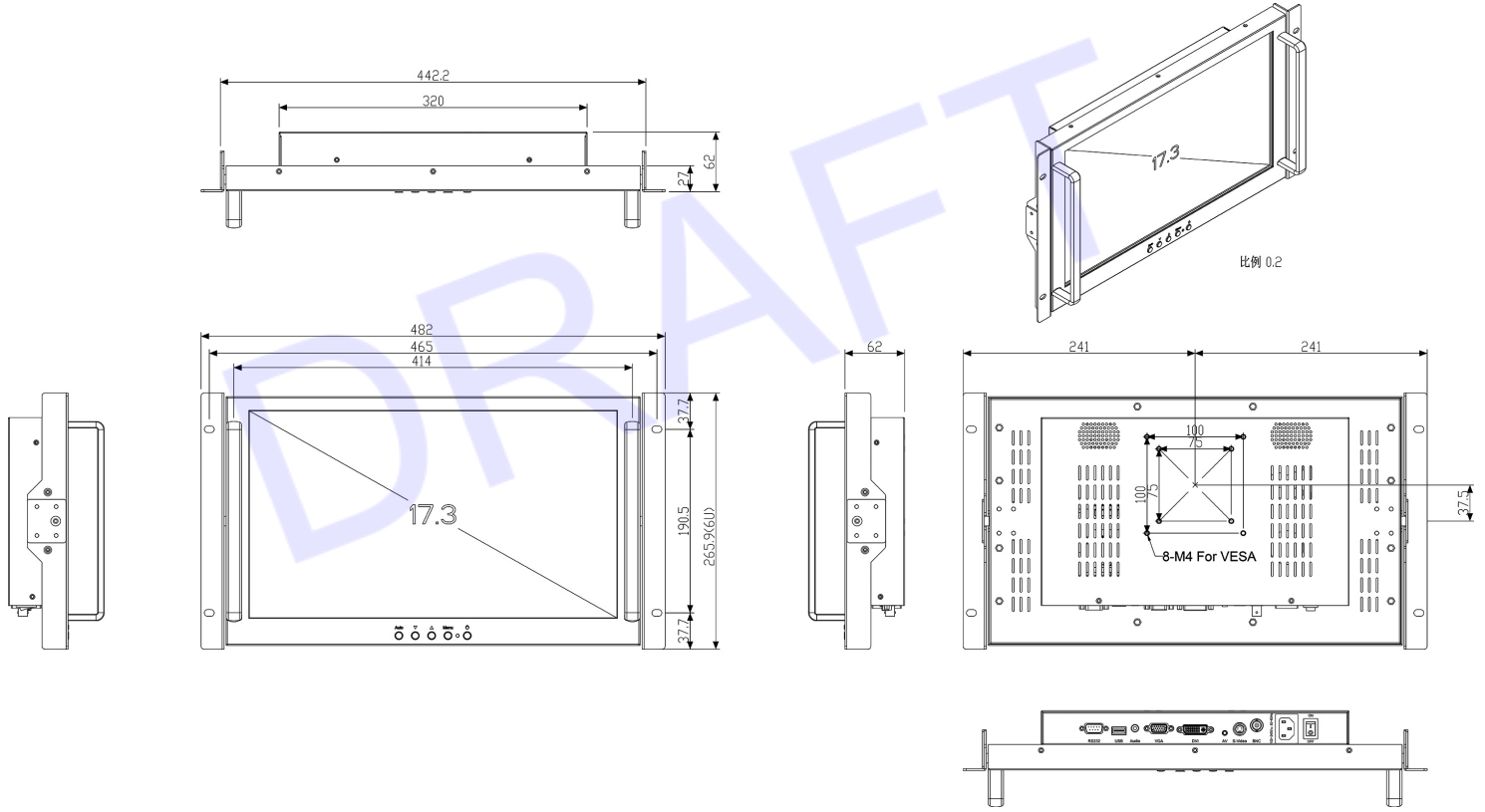
USER CONTROL INTERFACE	
Power ON / OFF via Front Button	
Power Mode Status LED indicator	
OSD ( On Screen Display ) Buttons	

MECHANICAL AND ENVIRONMENT	
Height	6U
IP Protect	N/A
Mounting	VESA Mount and Rack Mount
Construction	Metal Housing
Operating Temperature	0 - 50 deg. C
Operating Humidity	5% - 95% ( non -condensing )
Anti-Vibration	5-500Hz/IGrmsPTP
Anti-Shock	15G/Peak(11 ms)
Physical Dimension	482x266x63 (mm)
Packing Dimension	620x400x210 (mm)
Net Weight / Gross	7/9 (KGs)
Certification and	CE/FCC/RoHs

\*Specifications subject to change without notice, not responsible for typographical errors.

## MECHANICAL DRAWINGS:

This is subject to change without Notice. Final Drawings Will be Provided for Approval after Order.



Drawing no.: ANPW617-H-06232023-V1

The side bracket can be removed (see below illustration), but when removed the side Hinges will be remained.

