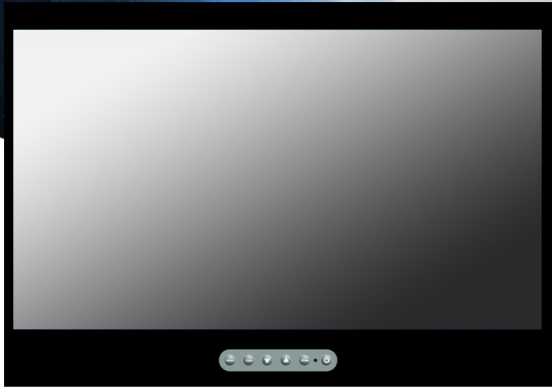


8U RACKMOUNT LCD MONITOR



8U 21.5" 1920x1080 WIDE FHD LCD Rack Mount Industrial Monitor
VGA + HDMI + DP , audio input 2x 2watts stereo speakers with
Bracket + MeanWell SD-100D-12 voltage range 67.2~143 VDC.
(Built-in) with Terminal Block

Model: ANP8215-140VDC

FEATURES:

- Compact 19 inch rack mountable with 8U height
- 21.5 inch widescreen LCD panel
- 1920 x 1080 high resolution
- Support FHD with 1080p resolution
- VGA, HDMI, Displayport, audio input
- Heavy duty steel chassis with hardness glass protect screen
- Front osd control buttons to optimized display
- Build in 2x 2watts stereo speakers
- DC 72~144V power input

SPECIFICATIONS

LCD Characteristics	
Screen Size	21.5 inch widescreen
Backlight Type	LED
Resolution	1920x1080
Contrast Ratio	3000:1
Brightness (cd/m2)	250
View Angles (H/V)	178/178
Pixel Size (HxV) mm	0.24825x0.24825
Max. Color	16.7M

Input Signals	
VGA	D-SUB 15Pin Connector (Female)
HDMI	HDMI connector (Female)
Displayport	Displayport connector (Female)
Audio	3.5" Jack
Power Input	Screw Type Terminal Block

Power Specifications	
DC Power Input	Screw Type Terminal Block with internal 72~144VDC power module

User Controls Interface:	
Power ON / OFF via Front Button	
Power Mode Status LED indicator	
OSD (On Screen Display) Buttons	

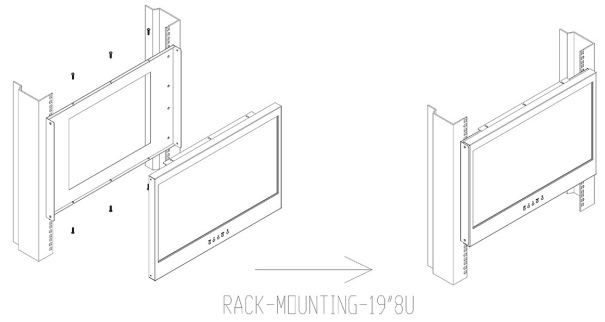
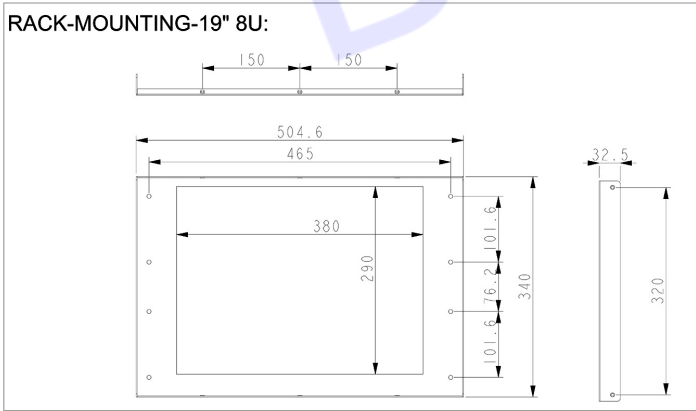
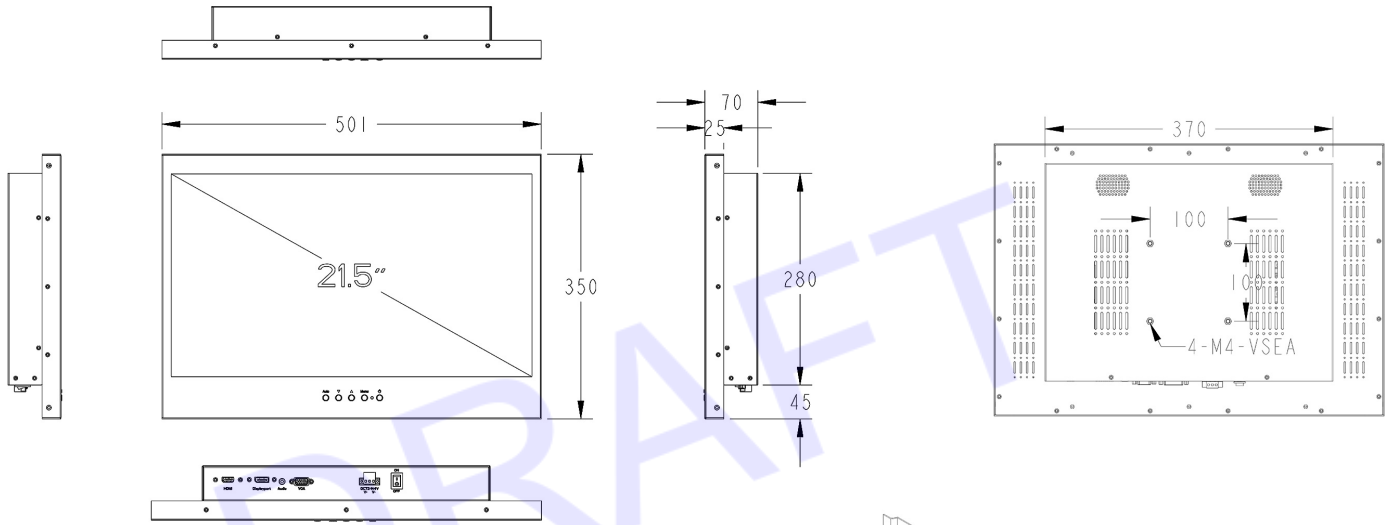
**Specifications subject to change without notice, not responsible for typographical errors.*

Mechanical and Environment:	
Height	8U
IP Protect	N/A
Mounting	VESA Mount and Rack Mount
Construction	Metal Housing
Operating Temperature	0 - 55 deg. C
Operating Humidity	5% - 95% (non -condensing)
Anti-Vibration	5 - 500 Hz / 1 Grms PTP
Anti-Shock	15G / Peak (11 ms)
Physical Dimension (WxHxD)	501 x 350 x 70 (mm)
Packing Dimension (WxHxD)	740 x 500 x 230 (mm) <i>estimated</i>
Net Weight / Gross Weight	9.5 / 15.5 (KGs) <i>estimated</i>
Certification and Approvals	CE / FCC / RoHs



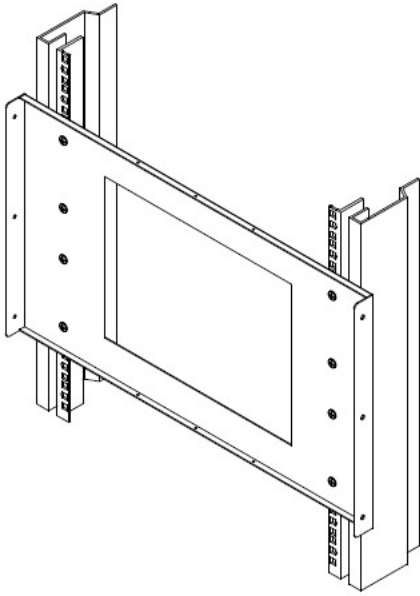
MECHANICAL DRAWINGS:

This is subject to change without Notice. Final Drawings Will be Provided for Approval after Order.



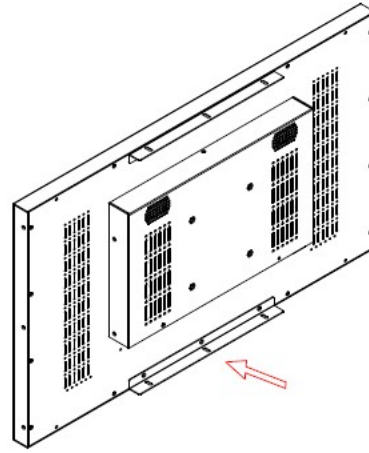
Drawing No.: ANP8215-140VDC-03072022-V2

INSTALLATION GUIDE



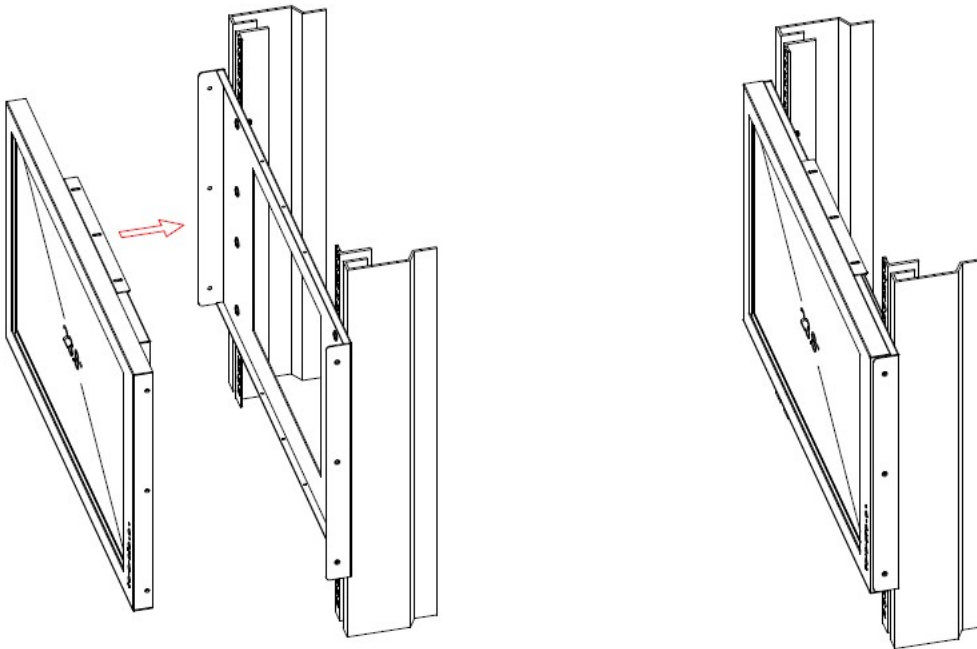
Step 1

- Mount the rear bracket with M6 screw set.
- 8 x M6 screw set are required
- M6 screw sets are not provided



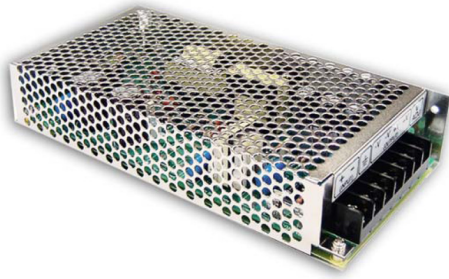
Step 2

- fix the L-bracket on the monitor



Step 3

- Fix the display panel into the rear bracket with 3 fasteners (Left / right / top / bottom side).



SD-100D-12 FEATURES:

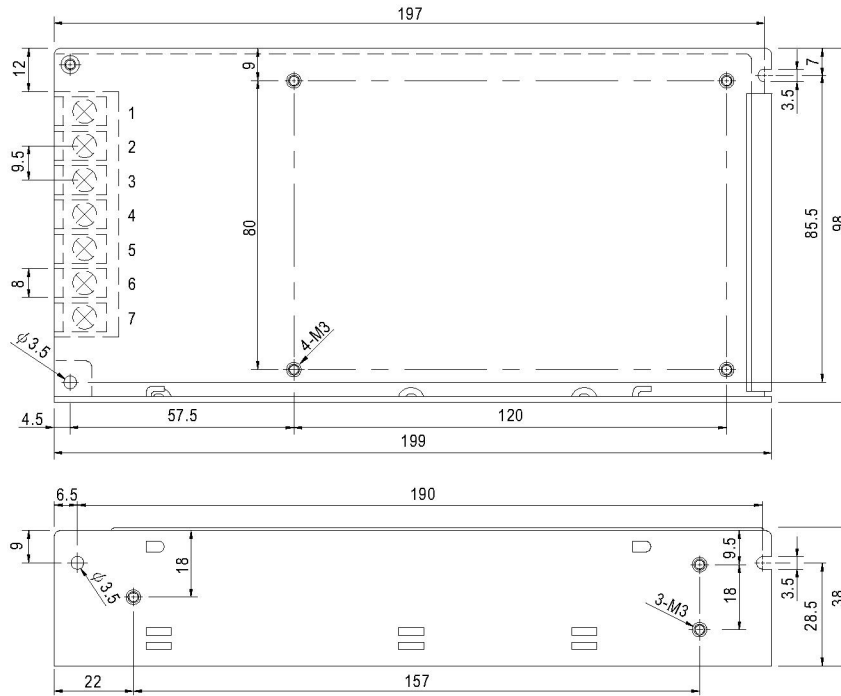
- 2:1 wide input range
- Protections: Short circuit/Overload / Over voltage
- 1500VAC I/O isolation
- Built-in EMI filter, low ripple noise
- Low cost
- High reliability
- 2 years warranty

SD-100D-12 SPECIFICATIONS:

OUTPUT	DC VOLTAGE	12V
	RATED CURRENT	8.5A
	CURRENT RANGE	0-8.5A
	RATED POWER	102W
	RIPPLES NOISE (max.) Note.2	120mVp-p
	VOLTAGE ADJ. RANGE	11 ~ 16VDC
	VOLTAGE TOLERANCE Note.3	±1.0%
	LINE REGULATION	±0.3%
	LOAD REGULATION	±0.3%
	SETUP, RISE TIME	2s, 50ms(only D mode) at full load
HOLD UP TIME (Typ.)	20ms(only D mode) at full load	
INPUT	VOLTAGE RANGE	72~144VDCor85~132VAC
	EFFICIENCY (Typ.)	80%
	DC CURRENT (Typ.)	1.8A/96V
	INRUSH CURRENT (Typ.)	D:18A/96VDC
	LEAKAGE CURRENT	<0.75mA/120VAC(SD-100D)
PROTECTION	OVERLOAD	105 - 135% rated output power Protection type: Hiccup mode, recovers automatically after fault condition is removed
	OVER VOLTAGE	16.8 - 20V/10% load Protection type: Hiccup mode, recovers automatically after fault condition is removed
ENVIRONMENT	WORKING TEMP.	-15 - +60°C(SD-100A), -10 - +60°C(SD-100B/C/D) (Refer to "Derating Curve")
	WORKING HUMIDITY	20 - 90% RH non-condensing
	STORAGE TEMP, HUMIDITY	-20 - +85°C, 10 - 95% RH non-condensing
	TEMP. COEFFICIENT	±0.03%/°C(0~50°C)
	VIBRATION	10 - 500Hz, 2G 10min./1cycle, 60min. each along X, Y, Z axes
SAFETY & EMC (Note 4)	SAFETY STANDARDS	IEC/BS EN/EN 62368-1 (for D type only), EAC TP TC 004 approved, design refer to AS/NZS 62368.1
	WITHSTAND VOLTAGE	I/P-O7P:1.5KVAC I/P-FG:1.5KVAC O7P-FG:0.5KVAC
	ISOLATION RESISTANCE	I/P-O/P, I/P-FG, O/P-FG:100MΩ/500VDC/25°C/70%RH
	EMC EMISSION	Compliance to BS EN/EN55032 (CISPR32) Class B, EAC TP TC 020
OTHERS	EMC IMMUNITY	Compliance to BS EN/EN61000-4-2,3,4,6,8, light industry level, criteria A, EAC TP TC 020
	MTBF	399.9Khrsmin.(SD-100A) 356.7K hrs min.(SD-IOOB) 355.5K hrs min.(SD-IOOC) 341.9K Hrs min.(SD-IOOD) MIL-HDBK-217F(25°C)
	DIMENSION	199*98*38mm(L*W*H)
	PACKING	0.65Kg; 20pcs/13.8Kg/0.85CUFT

Mechanical Specification

Case No. 902 Unit:mm



Terminal Pin No. Assignment

Pin No.	Assignment	Pin No.	Assignment
1,2	INPUT ※	4,5	DC OUTPUT -V
3	FG ≡	6,7	DC OUTPUT +V

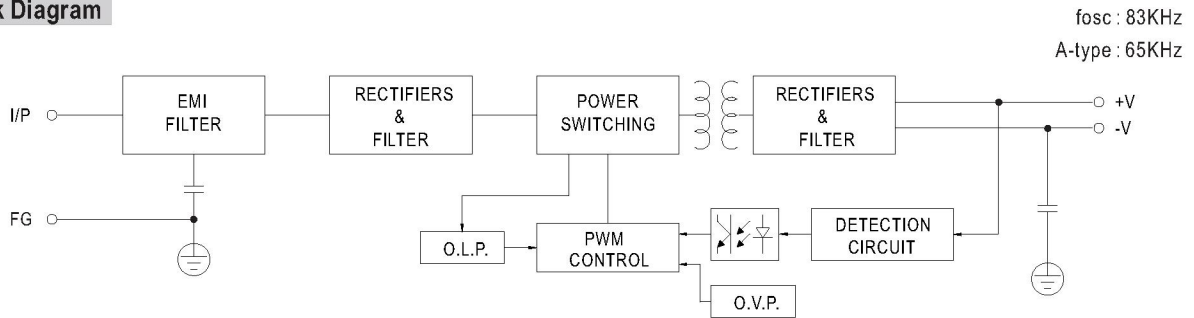
※ SD-100A,B,C

Pin No.	Assignment
1	DC INPUT V+
2	DC INPUT V-

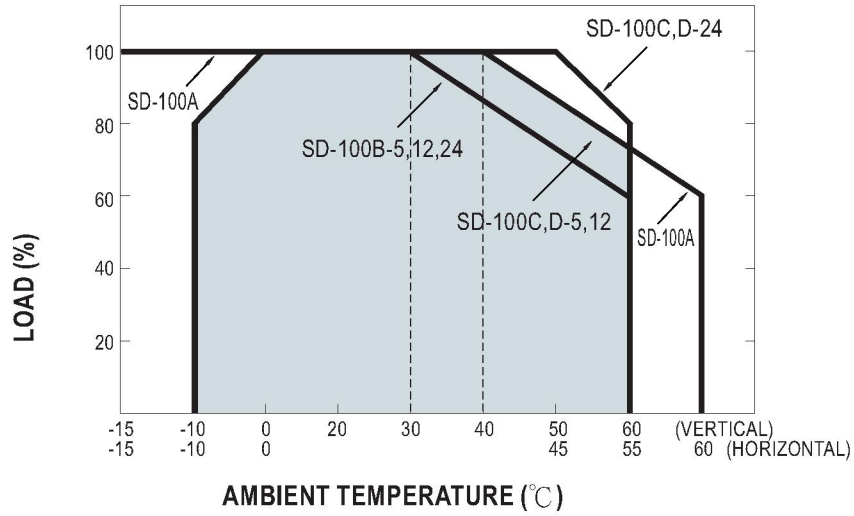
※ SD-100D

Pin No.	Assignment
1,2	AC/DC INPUT

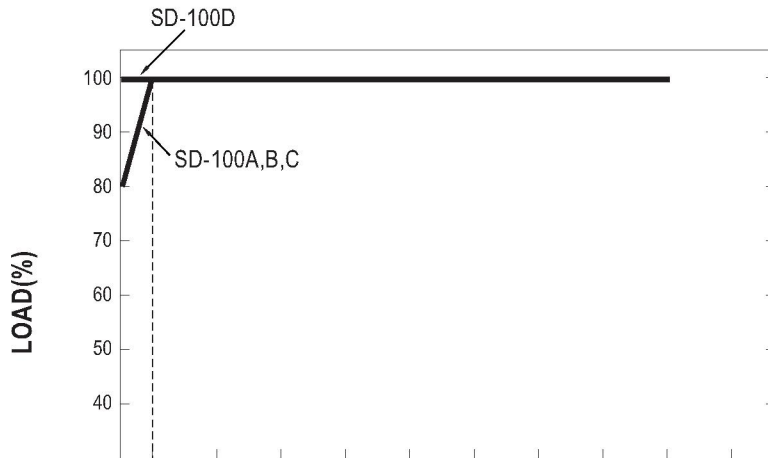
Block Diagram



Derating Curve



Output Derating VS Input Voltage



A:	9.5	10	11	12	13	14	15	16	17	18
B:	19	20	22	24	26	28	30	32	34	36
C:	36	38	44	48	52	56	60	64	68	72
D:	72	76	88	96	104	112	120	128	136	144