

RUGGED MILITARY GRADE LCD KEYBOARD DRAWER



1U 17.3" Rackmount Rugged LCD Keyboard Drawer 1920 x1080, 300nits, Sealed 104-keys IP65 silicone USB only keyboard and trackball with backlight, Front EMC glass, Internal power supply with universal / Auto-Sensing, 100-240V AC 50/60Hz via 3 pins lock connector

Model: AMil-W1730b-AC



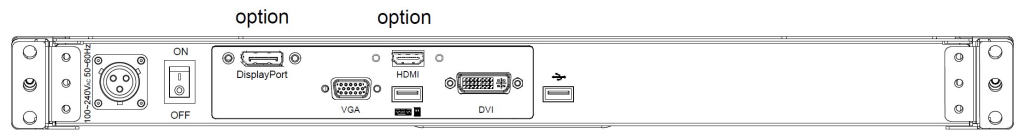
(USB Port for device access)

FEATURES

- Meet MIL-STD-810F/G standard
- 1U 17.3" LCD Console Drawer
- support 1920 x 1080 FHD resolution
- DVI & VGA Port
- Front 1x USB, Rear 1 x USB 2.0 Type A, Sharing USB peripheral Device for computer (ex, flash disk, hard driver, KB/Mouse)
- Sealed IP65 silicone keyboard and trackball with backlight
- MIL connector for power input
- Support USB 2.0 Keyboard & Mouse
- With hardness glass protect screen
- Self-locking and auto release rails for ultra convenience

OPTION

- HDMI, Display port input
- DC 9~36V power input
- High brightness LCD panel, up to 1000 nits
- Front AR or EMC glass protect screen
- Resistive touchscreen



Rear of AMil-W1730b-AC

SPECIFICATIONS

Direct no. of Computers	1	
LCD	Size	17.3"
	Backlight	LED
	Resolution	1920*1080 Full HD (support resolution up to 1920x1200)
	Max.color	16.7M
	Luminance	300cd/m2
	View Angel (H/V)	160 / 140
	Contrast Ratio	600 : 1
USB HUB	1x Front , 1xRear USB 2.0 Type A for Peripheral USB Device	
KB/Mouse Emulation	USB	
Rack Depth	With Short mounting bracket: 380mm to 620mm (rack cabinet front rails to rear rails) With Long mounting bracket: 560mm to 762mm (rack cabinet front rails to rear rails)	
Power	100-240V AC 50/60Hz via 3 pins lock connector	
Environment (MIL-STD-810G)	Operation temp: 0 to 50°C	(MIL-STD-810, Method 501.5 & 502.5)
	Storage temp: -20 to 60°C	(MIL-STD-810, Method 501.5 & 502.5)
	Humidity: 5% - 95%, non-condensing	(MIL-STD-810, Method 507.5)
	Shock/Vibration: Procedure VI, 50G @ 11ms	(MIL-STD-810, Method 516.6)
	Altitude: 10,000 ft Operational, 30,000 ft Storage	(MIL-STD-810, Method 500.5)
Physical Dimensions / Net Weights	482x44x408mm (WxHxD) /13KG	
Packing Dimensions / Gross weights	740x160x620mm(WxHxD) /16KG	

Accessories

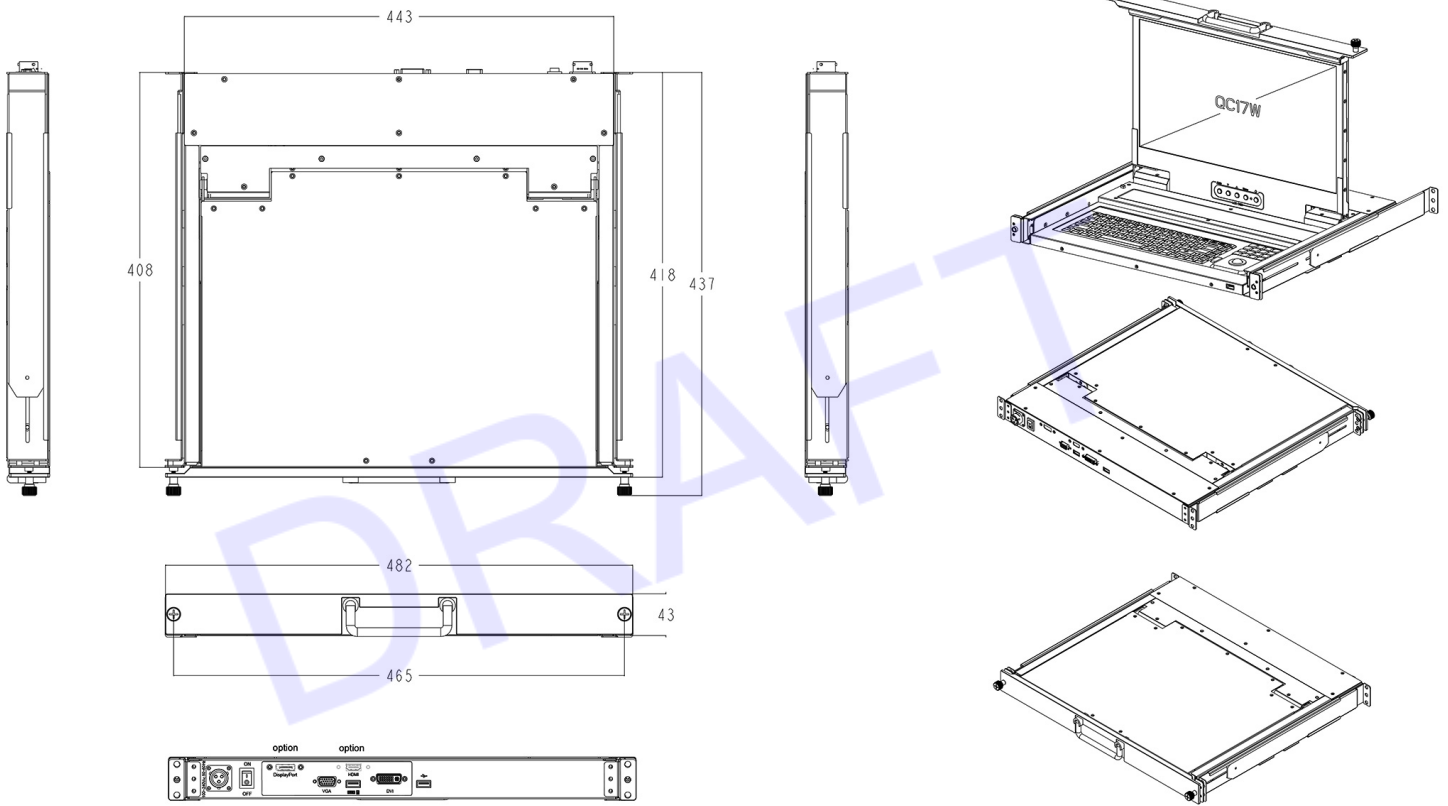
1 x 1.8 Power Cord with lock connector, 1.8 meter DVI-D Cable, 1.8 meter VGA Cable , 1.8 meter USB Cable (each one)

**Specifications subject to change without notice, not responsible for typographical errors.*



MECHANICAL DRAWINGS

This is subject to change without Notice. Final Drawings Will be Provided for Approval after Order.



Drawing no.: AMil-W1730b-AC-07252023-V1