

1U 19" Rackmount Rugged LCD Keyboard Drawer 1280x1024, 450nits, Sealed 104-keys IP65 silicone USB keyboard and Touchpad with backlight, Front EMC glass, with VGA+DVI Input, Internal Power Supply with universal / Auto-Sensing, 100-240V AC 50/60Hz via 3 pins lock connector

Model: AMil-1900WTe



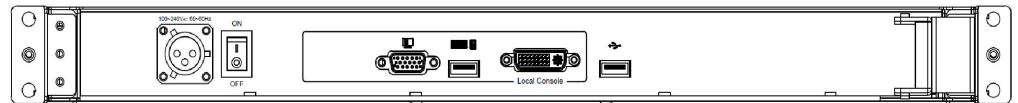
USB Port for Device Access

FEATURES

- Meet MIL-STD-810F/G standard
- 1U 19" LCD Console Drawer, wide operation temperature support 1280 x 1024 resolution
- DVI & VGA Port
- Front 1x USB, Rear 1x USB 2.0 Type A, Sharing USB peripheral Device for computer (ex, flash disk, hard driver, KB/Mouse)
- Sealed 104-keys IP65 silicone keyboard and touchpad with backlight
- MIL connector for power input
- Support USB 2.0 Keyboard & Mouse
- Self-locking and auto release rails for ultra convenience

Option

- DC 9~36V power input
- High brightness LCD panel, up to 1000 nits
- Front AR or EMC glass protect screen
- Touch screen



REAR VIEW

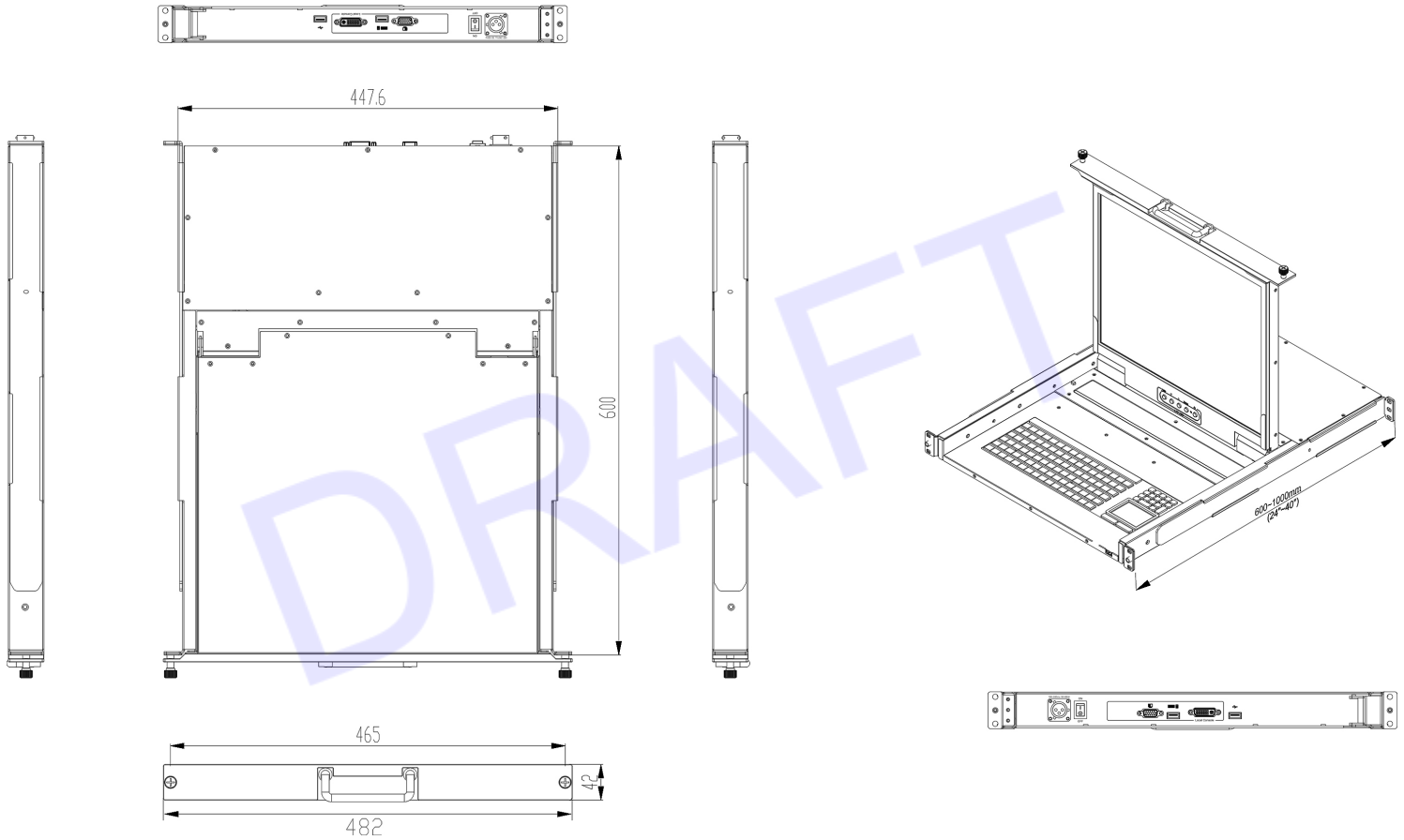
SPECIFICATIONS

Direct no. of Computers	1	
LCD	Size	19"
	Backlight	LED
	Resolution	1280 x 1024
	Max. Color	16.7M
	Luminance	450cd/m2
	View Angel (H/V)	170 / 160
	Contrast Ratio	1000 : 1
USB HUB	1x Front , 1xRear USB 2.0 Type A for Peripheral USB Device	
Touch Screen	Yes, for option	
KB/Mouse Emulation	USB	
Rack Depth	600mm to 1000mm (rack cabinet front rails to rear rails)	
Power	100-240V AC 50/60Hz via 3 pins lock connector	
	Operation temp: -20 to 70° C	(MIL-STD-810, Method 501.5 & 502.5)
	Storage temp: -30 to 80° C	(MIL-STD-810, Method 501.5 & 502.5)
Environment (MIL-STD-810G)	Humidity: 5% - 95%, non-condensing	(MIL-STD-810, Method 507.5)
	Shock/Vibration: Procedure VI, 50G @ 11ms	(MIL-STD-810, Method 516.6)
	Altitude: 10,000 ft Operational, 30,000 ft Storage	(MIL-STD-810, Method 500.5)
Physical Dimensions / Net Weights	482x42x600mm (WxHxD) /13KG	
Packing Dimensions / Gross weights	720x160x860mm(WxHxD) /19KG	
Accessories		
1 x 1.8 Power Cord with lock connector, 1.8 meter DVI-D Cable, 1.8 meter VGA Cable , 1.8 meter USB Cable (each one)		

*Specifications subject to change without notice, not responsible for typographical errors.

MECHANICAL DRAWINGS

This is subject to change without Notice. Final Drawings Will be Provided for Approval after Order.



Drawing no.: AMil-1900WTe-02132023-V1