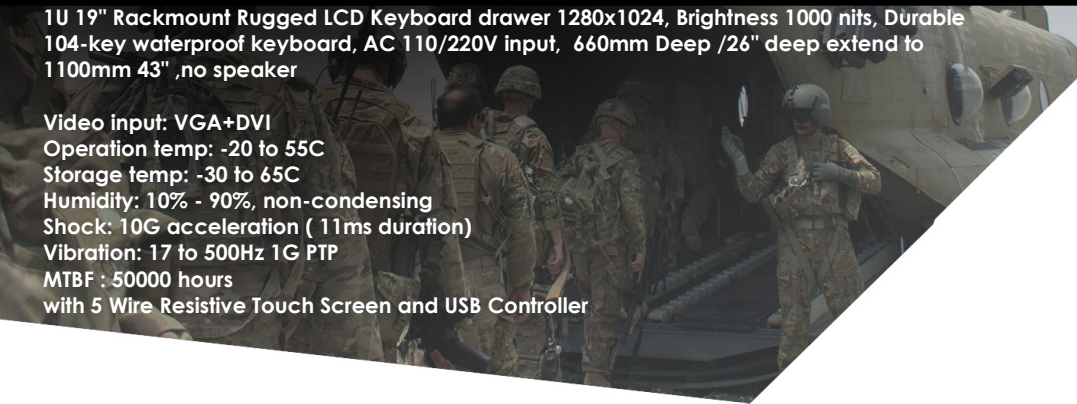


Military Rugged Rackmount LCD Drawer

1U 19" Rackmount Rugged LCD Keyboard drawer 1280x1024, Brightness 1000 nits, Durable 104-key waterproof keyboard, AC 110/220V input, 660mm Deep /26" deep extend to 1100mm 43" ,no speaker

Video input: VGA+DVI
 Operation temp: -20 to 55C
 Storage temp: -30 to 65C
 Humidity: 10% - 90%, non-condensing
 Shock: 10G acceleration (11ms duration)
 Vibration: 17 to 500Hz 1G PTP
 MTBF : 50000 hours
 with 5 Wire Resistive Touch Screen and USB Controller



USB Port for Device Access

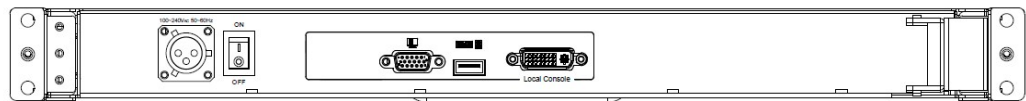
Model: AMil-1900HB-TR-AC

FEATURES

- Meet MIL-STD-810F/G standard
- 1U 19" LCD Console Drawer, wide operation temperature support 1280 x 1024 resolution
- DVI & VGA Port
- Front 1x USB, Sharing USB peripheral Device for computer (ex, flash disk, hard driver, KB/Mouse)
- Sealed 104-keys IP65 silicone keyboard and touchpad with backlight
- MIL connector for power input
- Support USB 2.0 Keyboard & Mouse
- Self-locking and auto release rails for ultra convenience
- Resistive touch screen (USB interface)

Option

- DC 9~36V power input
- High brightness LCD panel, up to 1000 nits
- Front AR or EMC glass protect screen



REAR VIEW

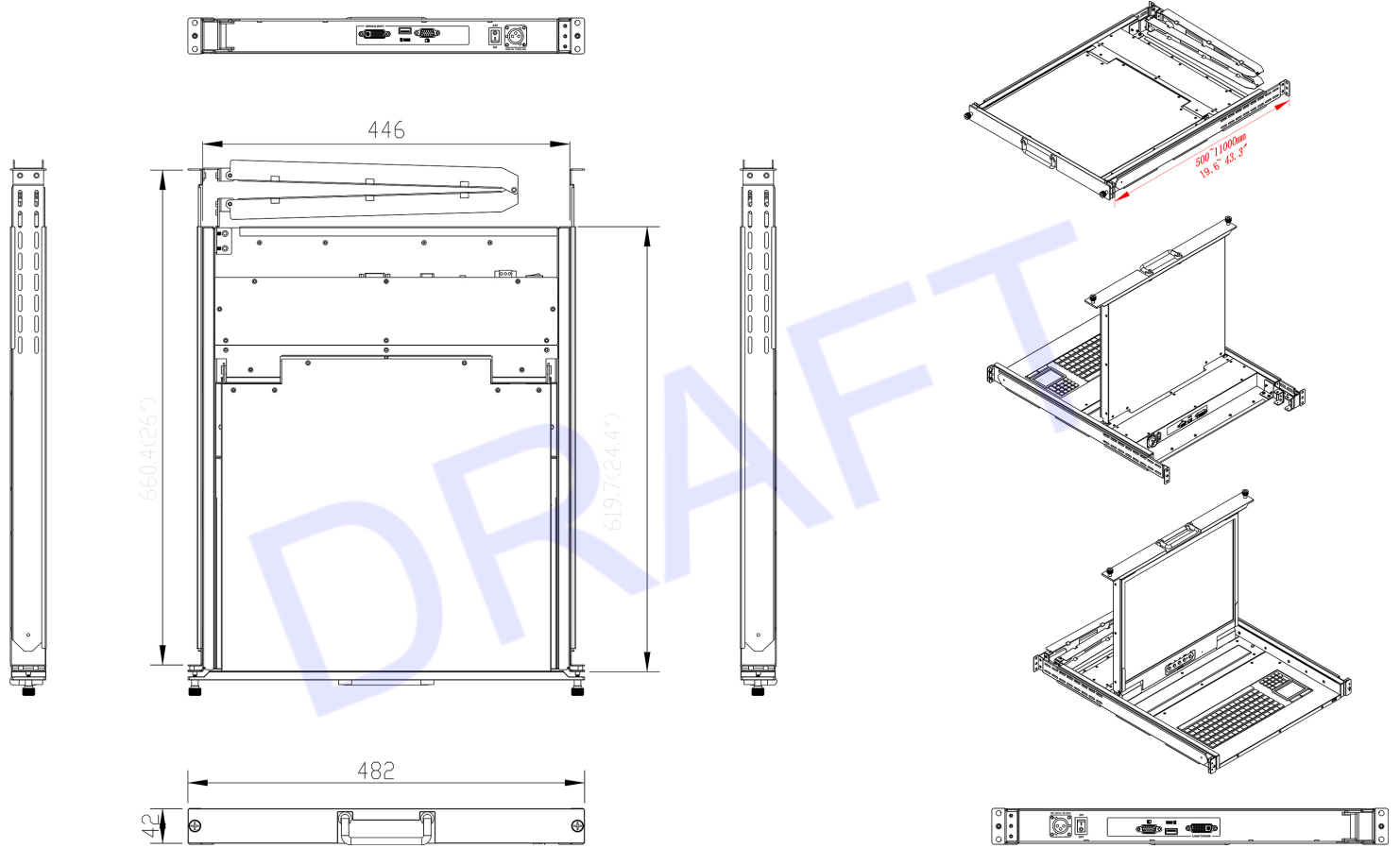
SPECIFICATIONS

Direct no. of Computers	1	
LCD	Size	19"
	Backlight	LED
	Resolution	1280x1024
	Max. color	16.7M
	Luminance	1000cd/m2
	View Angel (H/V)	170 / 160
	Contrast Ratio	1000 : 1
USB HUB	1x Front USB 2.0 Type A for Peripheral USB Device	
Touch Screen	Yes, resistive touch screen with USB interface	
KB/Mouse Emulation	USB	
Rack Depth	660mm to 1100mm (rack cabinet front rails to rear rails)	
Power	110-220V AC 50/60Hz via 4 pins lock connector	
Environment (MIL-STD-810G)	Operation temp: -20 to 55°C	(MIL-STD-810, Method 501.5 & 502.5)
	Storage temp: -30 to 65°C	(MIL-STD-810, Method 501.5 & 502.5)
	Humidity: 5% - 95%, non-condensing	(MIL-STD-810, Method 507.5)
	Shock/Vibration: Procedure VI, 50G @ 11ms	(MIL-STD-810, Method 516.6)
	Altitude: 10,000 ft Operational, 30,000 ft Storage	(MIL-STD-810, Method 500.5)
Physical Dimensions / Net Weights	482x42x660mm (WxHxD) /14KG	
Packing Dimensions / Gross weights	730x160x880mm(WxHxD) /20KG	
Accessory		
1 x 1.8 Power Cord with lock connector, 1.8 meter DVI-D Cable, 1.8 meter VGA Cable , 1.8 meter USB Cable (one each)		

*Specifications subject to change without notice, not responsible for typographical errors.

MECHANICAL DRAWINGS

This is subject to change without Notice. Final Drawings Will be Provided for Approval after Order.



Drawing No.: AMil-1900HB-TR-AC-04152022-V1