

RUGGED MILITARY GRADE LCD KVM SWITCH



1U 19" Rackmount Rugged LCD Keyboard Drawer 1280x1024, 450nits, Durable 104-key Keyboard, Front EMC Glass, Power 100-240V AC 50/60Hz via 3 Pins Lock Connector

*Includes 6ft long AB-6 USB 1 to 2 KVM Cable 1.8M x 8pcs

Model: AMil-1900-S8e



FEATURES

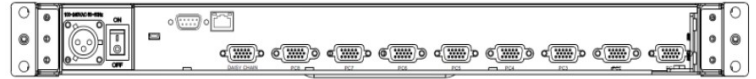
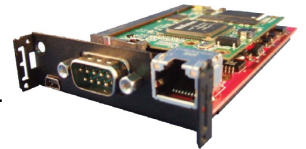
- Meet MIL-STD-810F/G standard
- 1U 19" LCD Console Drawer, wide operation temperature support 1280 x 1024 resolution
- Built-in 8 port combo KVM switch, support VGA-USB & VGA-PS/2.
- Sealed 104-keys IP65 silicone keyboard and touchpad with backlight
- MIL connector for power input
- Self-locking and auto release rails for ultra convenience
- Port selection via push buttons or On-Screen-Display (OSD)

OPTION

- DC 9~36V power input
- High brightness LCD panel, up to 1000 nits
- Front AR or EMC glass protect screen

OPTIONAL REMOTE IP ACCESS

- An expansion slot allows you to add an optional KVM over IP module to enable remote access to your servers.
- Gain BIOS level access to your servers for system maintenance, support or failure recovery via secure SSL authentication and encryption.



Rear of AMil-1900-S8e

SPECIFICATIONS

Direct no. of Computers	8	
KVM Connectors	232 (Daisy Chain)	
LCD	Size	19"
	Backlight	LED
	Resolution	1280 x 1024
	Max.color	16.7M
	Luminance	450cd/m2
	View Angel (H/V)	170 / 160
	Contrast Ratio	1000 : 1
Port Selection	Push Button, Hotkey	
Expansion Slot	Yes, option for Remote IP Access	
KB/Mouse Emulation	USB & PS2	
Rack Depth	600mm to 1000mm (rack cabinet front rails to rear rails)	
Power	100-240V AC 50/60Hz via 3 pins lock connector	
Environment (MIL-STD-810G)	Operation temp: -20 to 70°C	(MIL-STD-810, Method 501.5 & 502.5)
	Storage temp: -30 to 80°C	(MIL-STD-810, Method 501.5 & 502.5)
	Humidity: 5% - 95%, non-condensing	(MIL-STD-810, Method 507.5)
	Shock/Vibration: Procedure VI, 50G @ 11ms	(MIL-STD-810, Method 516.6)
	Altitude: 10,000 ft Operational, 30,000 ft Storage	(MIL-STD-810, Method 500.5)
Physical Dimensions / Net Weights	482x42x600mm (WxHxD) /13KG	
Packing Dimensions / Gross weights	720x160x860mm(WxHxD) /19KG	

Accessories

1 x 1.8 Power Cord with lock connector

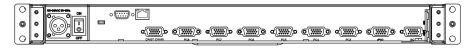
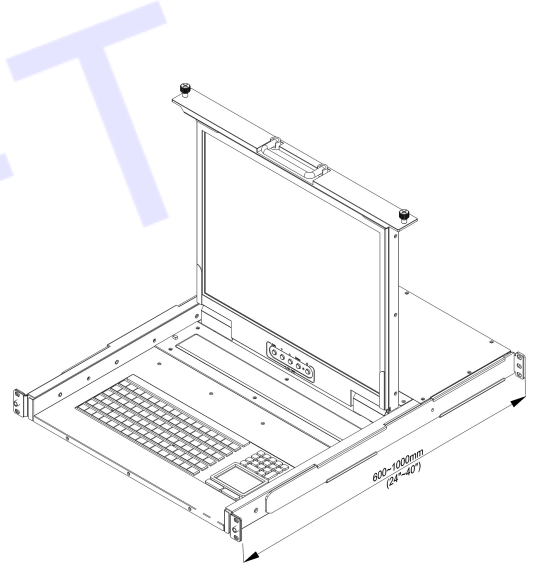
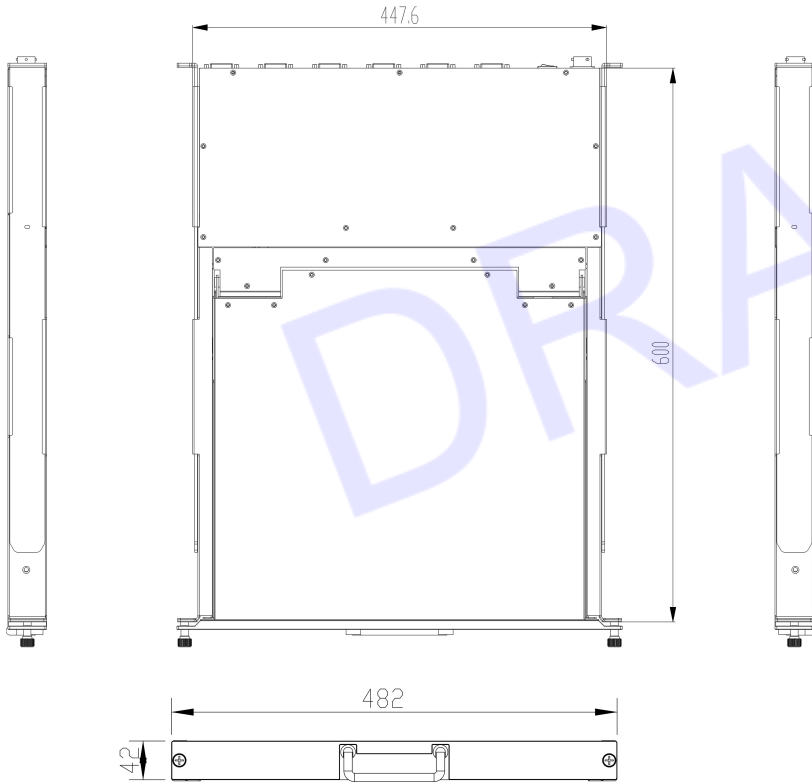
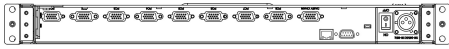
Option Relate Item

AB-6	1.8meter 2-in-1 KVM Cable-USB&VGA	AD-6	1.8meter 3-in-1 KVM Cable-PS/2&VGA
AB-10	3.0meter 2-in-1 KVM Cable-USB&VGA	AD-10	3.0meter 3-in-1 KVM Cable-PS/2&VGA
AB-15	5.0meter 2-in-1 KVM Cable-USB&VGA	AD-15	5.0meter 3-in-1 KVM Cable-PS/2&VGA

*Specifications subject to change without notice, not responsible for typographical errors.

MECHANICAL DRAWINGS

This is subject to change without Notice. Final Drawings Will be Provided for Approval after Order.



Drawing no.: AMil-1900-S8e-04052024-V1

