

RUGGED MILITARY GRADE LCD 12 PORTS DVI LCD KVM SWITCH

1U 19" Rackmount Rugged LCD Keyboard drawer 1280 x 1024, 450nits, Sealed 104-keys IP65 silicone keyboard and touchpad with backlight, Front EMC glass, 600mm Deep 12 port DVI-D (support only DVI signal)
 Noted: Included Power cables only, no DVI and USB cables + with USB in the front (for external KB/MS) Internal power supply with universal / Auto-Sensing, 100-240V AC 50/60Hz via 3 pins lock connector

Model: AMil-1900-D12e-AC



USB Port for Keyboard/Mouse

FEATURES

- Meets MIL-STD-810F/G standard
- 1U 19" LCD Console Drawer, wide operation temperature support 1280 x 1024 resolution
- Built-in 12 port DVI-D KVM switch
- Additional one USB console port to add local KB/MS (front)
- Sealed 104-keys IP65 silicone keyboard and touchpad with backlight
- MIL connector for power input
- Self-locking and auto release rails for ultra convenience

OPTION

- DC 9~36V power input
- High brightness LCD panel, up to 1000 nits
- Front AR or EMC glass protect screen



Rear of AMil-1900-D12e-AC

SPECIFICATIONS

Direct no. of Computers		12
KVM Connectors		12
LCD	Size	19"
	Backlight	LED
	Resolution	1280 x1024
	Max.color	16.7M
	Luminance	450cd/m2
	View Angel (H/V)	170 / 160
Contrast Ratio		1000 : 1
Port Selection		Push Button, Hotkey
USB Local Console		Yes, front USB for Keyboard / Mouse
KB/Mouse Emulation		USB
Rack Depth		Adjustable Slides, it supports 580~1000mm mounting range.
Power		100-240V AC 50/60Hz via 3 pins lock connector
Environment (MIL-STD-810G)	Operation temp: -20 to 70°C	(MIL-STD-810, Method SO1.S & SO2.S)
	Storage temp: -30 to 80°C	(MIL-STD-810, Method SO1.S & SO2.S)
	Humidity: 5% - 95%, non-condensing	(MIL-STD-810, Method 507.5)
	Shock/Vibration: Procedure VI, 50G @ 11ms	(MIL-STD-810, Method 516.6)
	Altitude: 10,000 ft Operational, 30,000 ft Storage	(MIL-STD-810, Method 500.5)
Physical Dimensions / Net Weights		448x42x600mm (WxHxD) /13.5KG
Packing Dimensions /Gross weights		680x190x780mm (WxHxD) /18.5KG
Accessories		
1 x 1.8 Power Cord with lock connector		
Optional items		
ADV16	1.8meter DVI-D Cable	
ASU-018	1.8meter USB Cable	

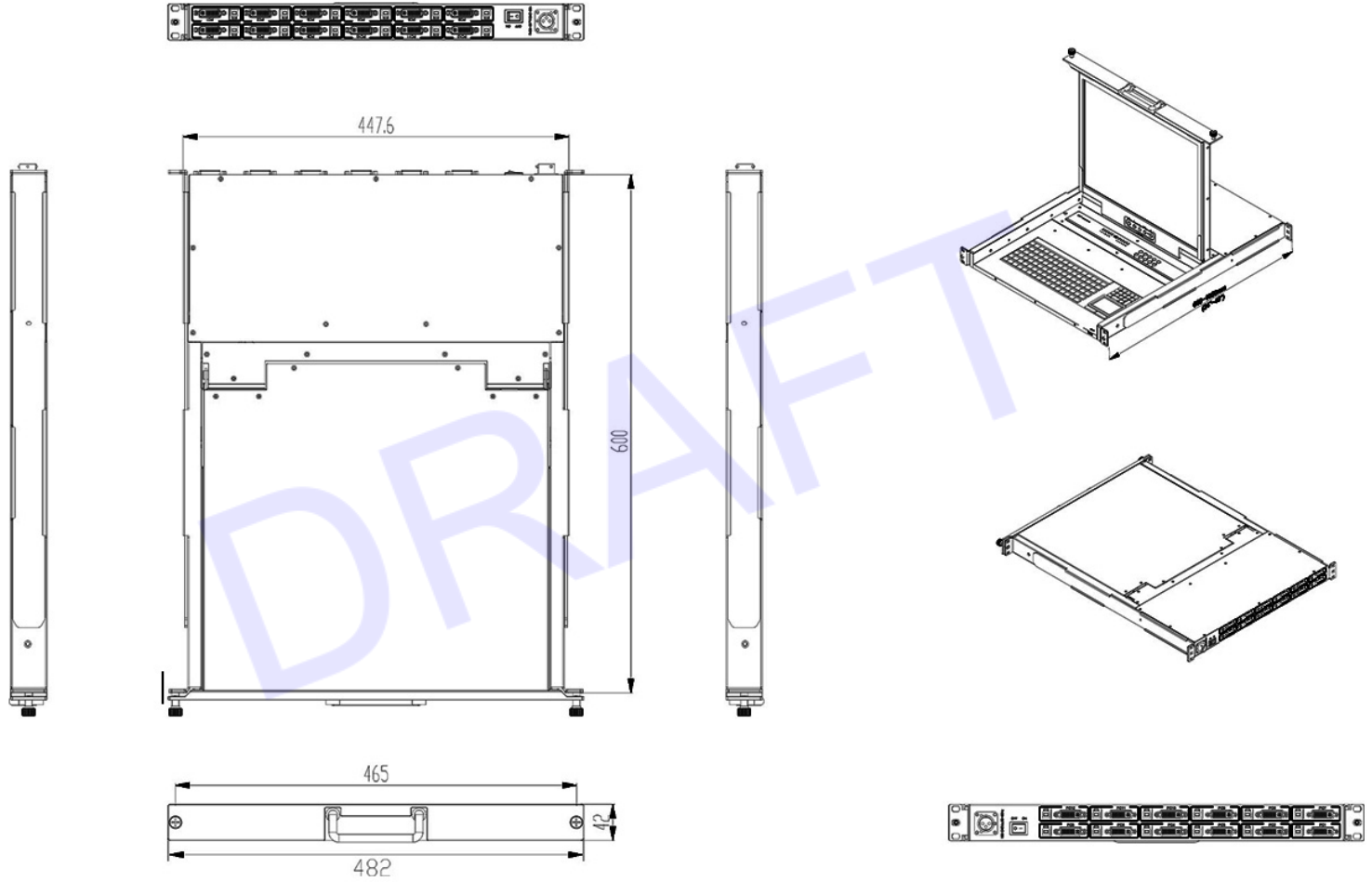
**Specifications subject to change without notice, not responsible for typographical errors.*

ACCESSORY



MECHANICAL DRAWINGS

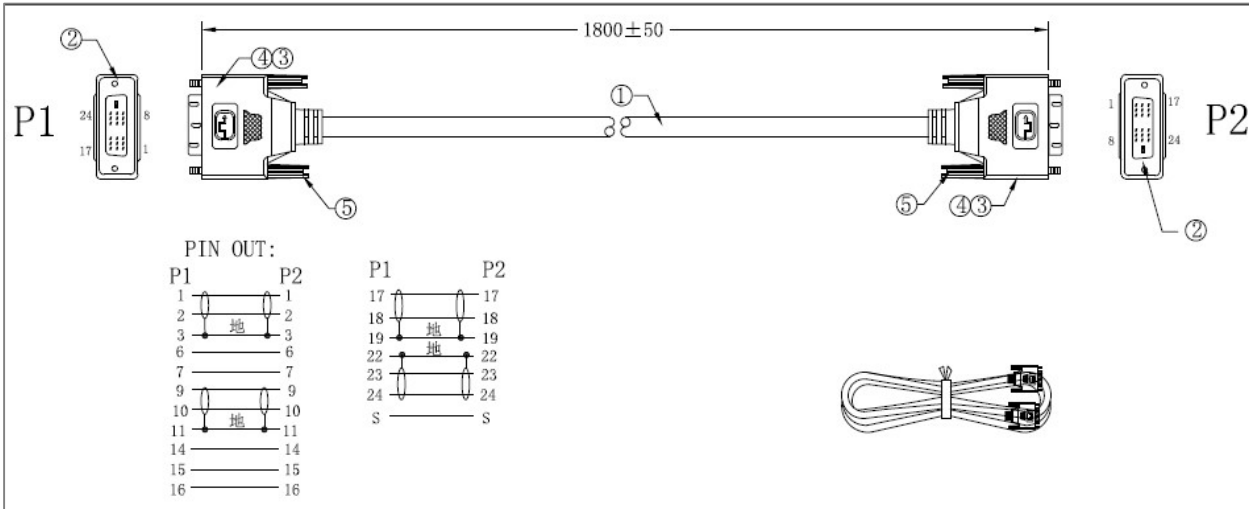
This is subject to change without Notice. Final Drawings Will be Provided for Approval after Order.



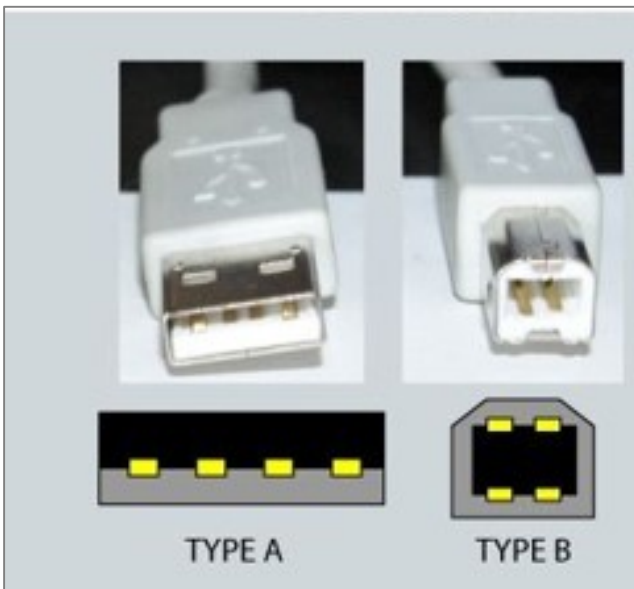
Drawing No.: AMil-1900-D12e-AC-07122022-V1



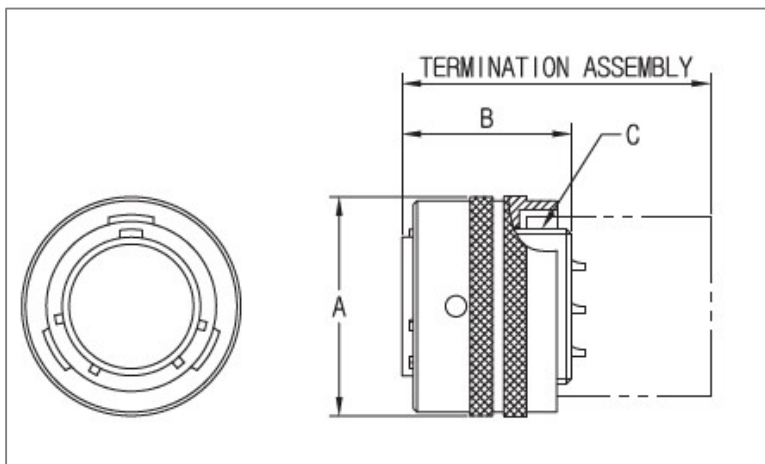
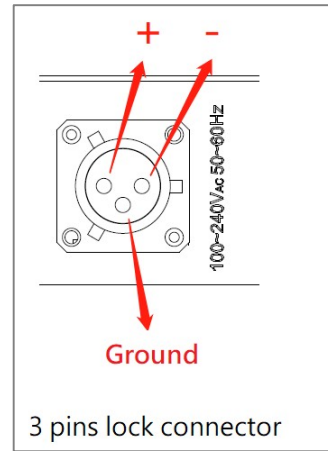
**DVI-D KVM cables 1.8 Meter long
DVI Cable (Part no: ADV16)**



**USB Type B to USB Type A KVM cable 1.8 Meter
Keyboard and Touchpad KVM USB cable (Part no: ASU-018)**



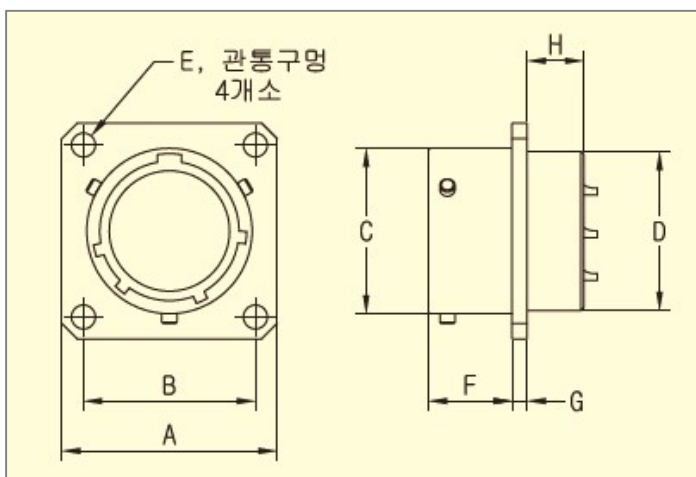
3 pins lock connector to Standard US Power cord
Power Cord (Part No: Amil-PW-C6)



Manufacturer Connector Part No.

(3116F12-3P) Cable Side
(3112E12-3S) Chassis Side

A Dia. Max.	B Max.	C Thread. (등급 : 2A)
26.49	21.0	11/16-24UNEF



A Max.	B ±0.10	C Dia. +0.00 -0.15	D Dia. Max.	E Dia. ±0.13	F +0.79 -0.00	G ±0.41	H
26.59	20.62	19.08	18.26	3.05	10.95	1.57	8.99