

Front IP65 Marine Bridge Display Monitor



Front IP65 15" Marine Bridge Display Monitor 1027x768 1000nits, HDMI, VGA, DVI, Composite Video, Audio Input IEC60945 Certificated Front Hyper Dimming Knob Control Backlight Brightness from nearly 0%-100% + PCT Touch Screen USB Controller + DC Power Input 24V

Model: AMAR1500HB-PCT-DC

FEATURES:

- The front hyper dimming knob enables precise control of backlight brightness, ranging from nearly 0% to 100%.
- Built with rugged construction, the front bezel complies with NEMA4/IP65 standards.
- Features front hardness glass to protect the screen (AR glass & touch optional).
- Front OSD control buttons are included for optimized display settings.
- Equipped with built-in 2x 2-watt stereo speakers.
- Standard with HDMI, DVI, VGA, Composite Video, Audio input.
- Designed for panel (flush) mounting with clips for easy installation.
- Meet standard VESA mount and optional robust mounting bracket.
- IEC60945 certificated

SPECIFICATION:

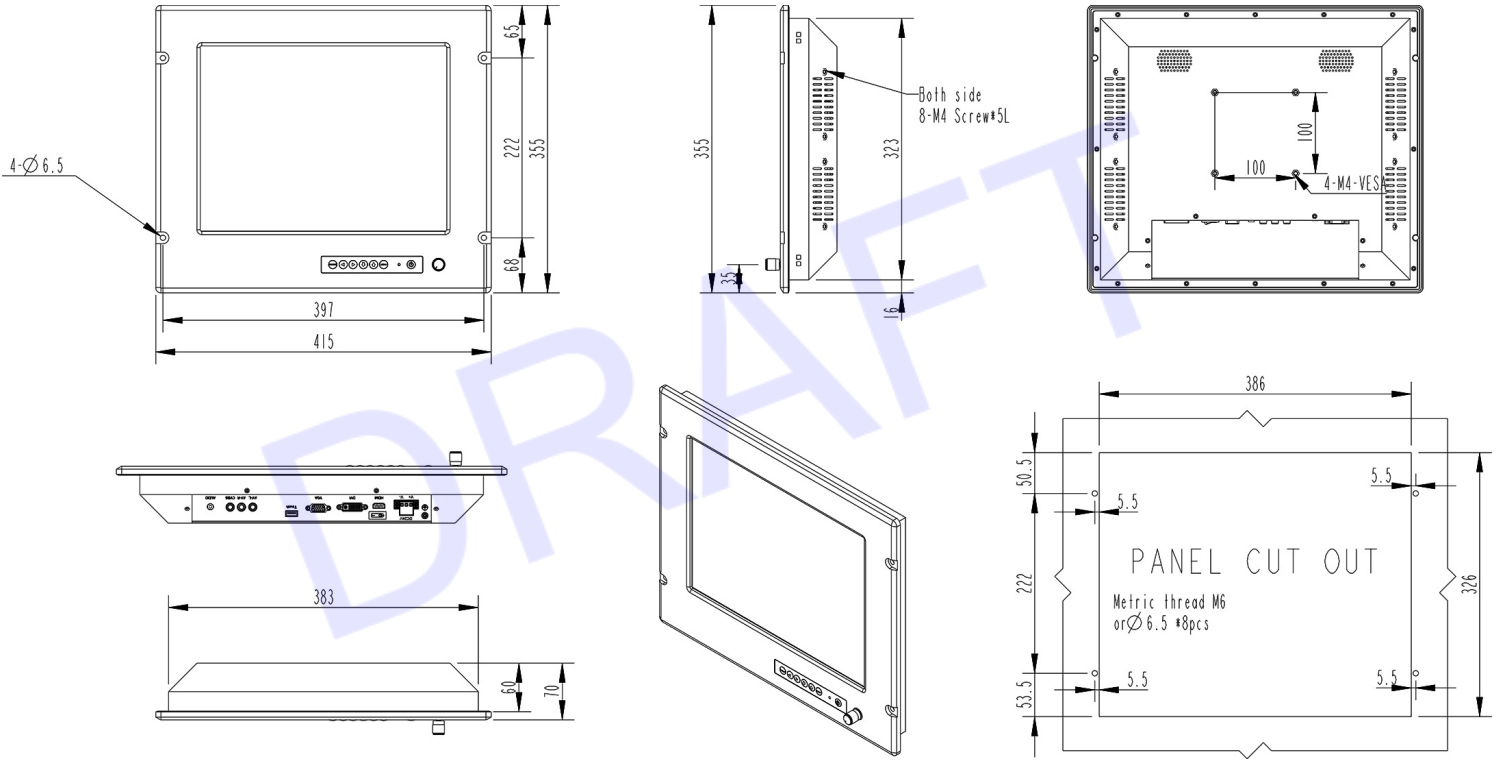
TFT CHARACTERISTICS	
Screen Size	15 inch TFT LCD
Backlight Type	LED
Resolution	1024x768
Contrast Ratio	700:1
Brightness (cd/m2)	1000nits
View Angles (H/V)	160/140
Max. Color	16.7M
MTBF (Hrs.)	100,000
INPUT SIGNALS:	
HDMI Signal	HDMI (Female)
DVI Signal	DVI-D (Female)
VGA Signal	D-SUB 15P connector (Female)
Composite Video	RCA Phono plug
Audio	3.5" jack
DC Power Input	Screw Terminal Block
Touch Screen (option)	USB-A or D-SUB 9P connector (Female)
USER CONTROLS	
Power On/Off via front buttons	
VR Brightness Knob adjustment	
Power Mode Status LED indicator	
On Screen Display control(OSD)	
OSD Remote Control via RS-232 (option)	

POWER SPECIFICATIONS	
DC Power Input	DC 24V Power Input
AC Power Input (Option)	Standard IEC Type Power Cord with Internal Power Adapter , 100-240V AC Input
MECHANICAL AND ENVIRONMENTAL	
IP Protect	Front IP65 Grade
Mounting	Panel (Flush) Mount, VESA Mount, Robust Bracket, Sun-visor Bracket
Construction	Aluminum Front Bezel + Metal Housing
Operating Temperature	0 - 50 deg. C
Operating Humidity	5% - 95% (non -condensing)
Anti-Vibration	5 - 500 Hz / 1 Gms PTP
Anti-Shock	15G / Peak (11 ms)
Physical Dimension (WxHxD)	395 x 335 x 70mm
Packing Dimension (WxHxD)	530 x 490 x 220mm
Net Weight / Gross Weight	7.5 / 10 KGs
Certification and Approvals	CE / FCC / RoHs / IEC60945
AVAILABLE OPTIONS	
Touch Screen	Resistive, Capacitive, SAW, IR Touch
AR Hardness Glass	3mm Anti-Reflective Protect Glass
DC Power	Isolate 12V/24V/48V/125V DC Power
SR-BKT	Stand & Roof Mounting Bracket
RT-BKT	Rotary Plate Robust Bracket
SV-BKT	Sun-Visor Bracket

**Specifications subject to change without notice, not responsible for typographical errors.*

MECHANICAL DRAWING:

This is subject to change without Notice. Final Drawings Will be Provided for Approval after Order.



Drawing No.: AMAR1500HB-PCT-DC-03142024-V1