

RUGGED ALUMINUM MULTI DISPLAY PORTABLE SOLUTION

Rugged portable enclosure with rubber corners, 3x17.3" LCD (1920x1080 Resolution/each display) 3xDP connectors with Intel Core i7, Pro WS W680-ACE, Complimentary Carrying Bag with wheels

Model: BPCW31700HD-i7-W68



FEATURES

- All-in-one design multi-screen portable solution
- Built-in 3x 17.3" LCD display, 1920x 1080 resolution Anti-reflection tempered glass
- Support standard ATX motherboard
- Offer 7 full length slots expansion capability
- Creates a stretched desktop with a max. Resolution of 5760x 1080 (3x 1920x 1080)
- Open an application on each display or span one across 3-screens
- Experience surround gaming by expanding supported 3D games
- Industrial Keyboard multi-language with touchpad
- Offer 2x5.25", 1x 3.5" drive bay, 1 slim DVD-RW
- Carrying case to manage portable PC with ease



SPECIFICATIONS

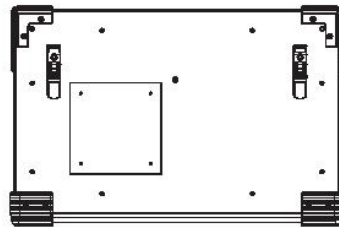
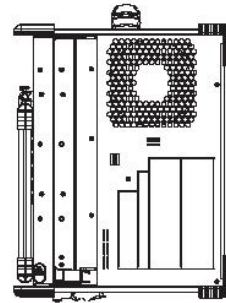
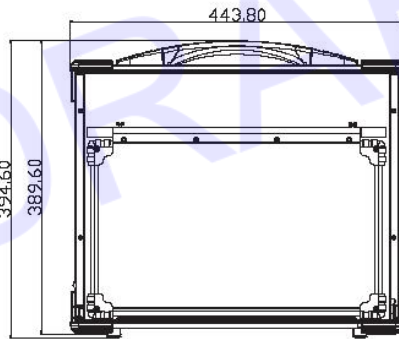
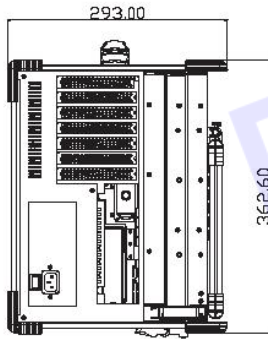
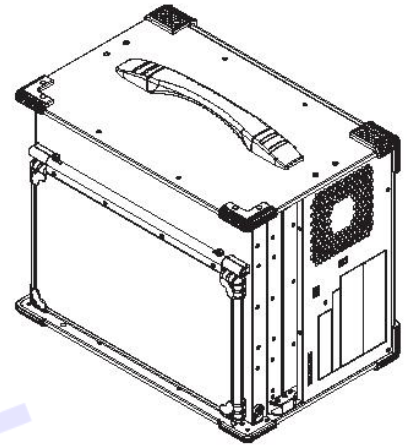
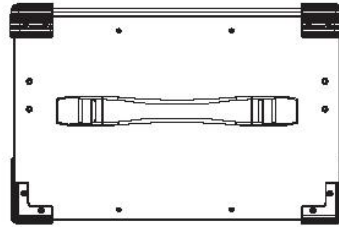
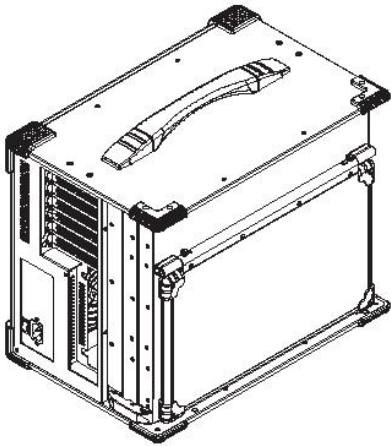
Chassis	Rugged portable enclosure with rubber corners.	
Display	3x17.3" LCD (1920x1080 Resolution/each display) 3xDP connectors	
LCD Spec	3x 1000-nits high brightness display	
Touch Screen	1x Resistive Touch Screen (center screen), USB interface	
K/B & Mouse	Detachable industrial French language keyboard w/touchpad	
CPU Processor	Intel Core i7 12700K - 3.6 GHz - 12-core - 20 threads - 25 MB cache (up to 5.0GHz)	
CPU Fan	Low Heatsink and fan	
Motherboard	"Mfr Part Number: Pro WS W680-ACE, Chipset: Intel® W680	
Memory	4x slots (upto 128GB)	
Slots	2 x PCIe 5.0 x16 (support x16 or x8 / x8 mode), 2 x PCIe 3.0 x16 slots (supports x4 mode), 1 x PCIe 3.0 x1 slots	
On-Board Audio	Realtek 7.1 Surround Sound High Definition Audio CODEC	
LAN	2x RJ45 ports. Dual Intel® 2.5Gb Ethernet	
Form Factor	ATX 12" x 9.6" (30.48cm x 24.38cm)	
Memory	32GB DDR5 Memory (16GBx2)	
Video Card	NVIDIA GeForce RTX 3060 8GB GDDR5 Video Card	
USB Ports	"Rear I/O USB (Total 8 ports)	
	- 2 x USB 3.2 Gen 2 ports (1 x Type-A, 1 x Type-C®)	
	- 4 x USB 3.2 Gen 1 ports (4 x Type-A)	
	- 2 x USB 2.0 ports (2 x Type-A)"	
Add-On Cards	1 x LUCID X 4-CH 2.5G/1G PoE+ Ethernet Card	
Open Slots	1 x PCIe 3.0 x1, 1 x PCIe 3.0 x16 slots (supports x4 mode) open after system configuration	
HDD	2x 2.5" Crucial MX500 - SSD - 1 TB - SATA 6Gb/s	
LAN	2x RJ45 ports. Dual Intel® 2.5Gb Ethernet	
Optical Drive	Slim DVDRW Internal Drive	
Power Supply	850W Fully Modular ATX PS2 size power supply, 100 - 240 VAC power voltage	
OS	Windows 11 Pro 64-bit Media + Installation	
Carrying Bag	Complimentary carrying bag with wheels	
Dimension	443.42x 389.59x 281 mm (Wx Hx D)	
Environmental Factors		
	Operating	Non-Operating
Temperature	0°C~50°C	-20°C~60°C
Relative Humidity	10%~90%	10%~95%
Approval	CE, FCC, RoHS	

*Specifications subject to change without notice, not responsible for typographical errors.

Modified Date: 05-31-2023

MECHANICAL DRAWINGS

This is subject to change without Notice. Final Drawings Will be Provided for Approval after Order.



Drawing no.: BPCW31700HD-i7-WS8-05312023-V1