

# RUGGED ALUMINUM MULTI DISPLAY PORTABLE SOLUTION



3x 17.3" LCD (1920x1080 each Display) Rugged Portable Enclosure, Offer 7 full-length expansion slots with Intel Core i7-12700 Processor 25M Cache, up to 4.90 GHz, 32GB DDR5 Memory, NVIDIA GeForce RTX 3050 HDMI, 3 x DisplayPort with Carry case

Model: BPCW31700HD-i7-12

## FEATURES

- All-in-one design multi-screen portable solution
- Built-in 3x 17.3" LCD display, 1920x 1080 resolution Anti-reflection tempered glass
- Support standard ATX motherboard
- Offer 7 full length slots expansion capability
- Creates a stretched desktop with a max. Resolution of 5760x1080 (3x 1920x 1080)
- Open an application on each display or span one across 3-screens
- Experience surround gaming by expanding supported 3D games
- Industrial Keyboard multi-language with touchpad
- Carrvina case to manaae portable PC with ease



## SPECIFICATIONS

Chassis	Rugged portable enclosure with rubber corners.	
Series Display	3x17.3" LCD (1920x1080 Resolution/each display) 3xDP connectors, w/o tempered glass	
K/B & Mouse	Detachable industrial USA language keyboard w/touchpad	
CPU Processor	Intel® Core™ i7-12700 Processor 25M Cache, up to 4.90 GHz	
CPU Fan:	Low Heatsink and fan	
Motherboard:	"Mfr Part Number: Pro WS W680-ACE Chipset: Intel® W680 Memory: 4x slots (upto 128GB)	
Slots:	2 x PCIe 5.0 x16 (support x16 or x8 / x8 mode), 2 x PCIe 3.0 x16 slots (supports x4 mode), 1 x PCIe 3.0 x1 slots	
On-Board Audio	Realtek 7.1 Surround Sound High Definition Audio CODEC LAN: 2x RJ45 ports. Dual Intel® 2.5Gb Ethernet	
Form Factor	ATX 12" x 9.6" (30.48cm x 24.38cm)	
Memory	32GB DDR5 Memory (16GBx2)	
Video Card	NVIDIA GeForce RTX 3050 Graphics Card - PCIe 4.0, 8GB GDDR6 Memory, 3x DP, 1x HDMI ports	
USB Ports	Rear I/O USB (Total 8 ports)	
	- 2 x USB 3.2 Gen 2 ports (1 x Type-A, 1 x Type-C®)	
	- 4 x USB 3.2 Gen 1 ports (4 x Type-A)	
	- 2 x USB 2.0 ports (2 x Type-A)"	
M.2 SSD	Crucial P5 Plus - SSD - encrypted - 1 TB - internal - M.2 2280 - PCIe 4.0 x4 (NVMe)	
LAN	2x RJ45 ports. Dual Intel® 2.5Gb Ethernet	
Optical Drive	Slim DVDRW Internal Drive	
Power Supply	850W, 110-220VAC, Modular Cable, 50/60Hz ATX Power Supply	
OS	Windows 11 Pro 64-bit Media + Installation	
Carrying Bag	Complimentary carrying bag with wheels	
Dimension	17.46" x 15.34" x 11.06" (443.42 x 389.59 x 281 mm)	
Weight	Approx ~ 47 lbs	
<b>Environmental Factors</b>		
	Operating	Non-Operating
Temperature	0°C~50°C	-20°C~60°C
Relative Humidity	10%~90%	10%~95%
Approval	CE, FCC, RoHS	

\*Specifications subject to change without notice, not responsible for typographical errors.

Modified Date: 10-04-2023

## ASUS Pro WS W680-ACE - Motherboard

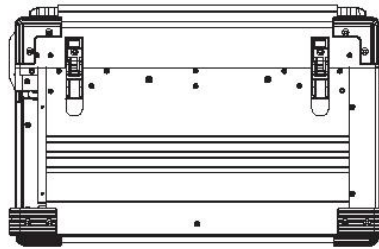
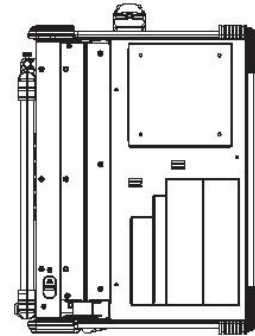
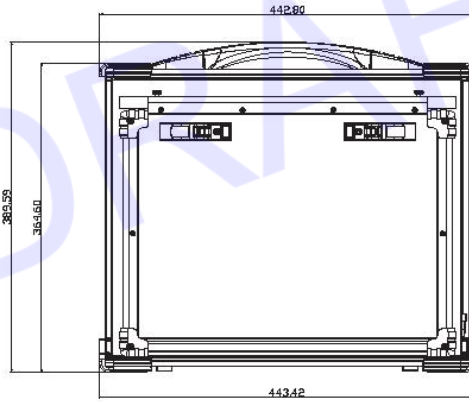
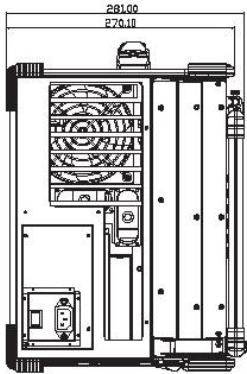
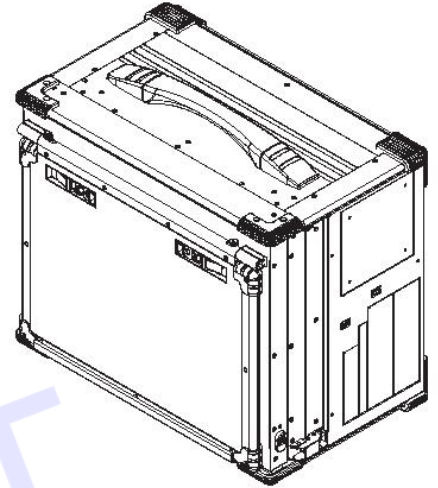
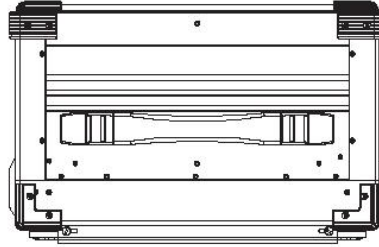
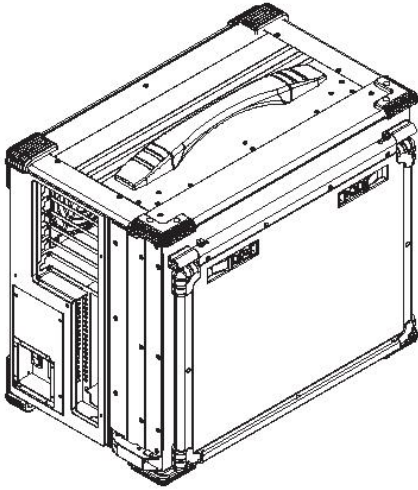
<b>CPU</b>	Intel® Socket LGA1700 for 13th Gen Intel® Core™ Processors & 12th Gen Intel® Core™
<b>Chipset</b>	Intel® W680 Chipset
<b>Memory</b>	<p>4 x DIMM, Max. 192GB, DDR5 ECC and Non-ECC Un-buffered Memory*</p> <p>Dual Channel Memory Architecture</p> <p>Supports Intel® Extreme Memory Profile (XMP)</p> <p>OptiMem II</p> <p>* Supported memory types, data rate (speed), and number of DRAM modules vary depending on the CPU and memory configuration, for more information please refer to CPU/Memory Support list under the Support tab of product information site or visit <a href="https://www.asus.com/support/">https://www.asus.com/support/</a></p> <p>* Non-ECC, un-buffered DDR5 memory supports On-Die ECC function.</p> <p>4 x DIMM, Max. 192GB, DDR5 ECC and Non-ECC Un-buffered Memory*</p> <p>Dual Channel Memory Architecture</p> <p>Supports Intel® Extreme Memory Profile (XMP)</p> <p>OptiMem II</p> <p>* Supported memory types, data rate (speed), and number of DRAM modules vary depending on the CPU and memory configuration, for more information please refer to CPU/Memory Support list under the Support tab of product information site or visit <a href="https://www.asus.com/support/">https://www.asus.com/support/</a></p> <p>* Non-ECC, un-buffered DDR5 memory supports On-Die ECC function.</p>
<b>Graphics</b>	<p>1 x DisplayPort**</p> <p>1 x HDMI® port***</p> <p>1 x VGA port</p> <p>* Graphics specifications may vary between CPU types. Please refer to <a href="http://www.intel.com">www.intel.com</a> for any updates.</p> <p>**Supports max. 8K@60Hz as specified in DisplayPort 1.4.</p> <p>***Supports 4K@60Hz as specified in HDMI 2.1.</p>
<b>Expansion Slots</b>	<p>Intel® 13th &amp; 12th Gen Processors*</p> <p>- 2 x PCIe 5.0 x16 slots (support x16 or x8 / x8 mode)</p> <p>Intel® W680 Chipset</p> <p>- 2 x PCIe 3.0 x16 slots (supports x4 mode)</p> <p>- 1 x PCIe 3.0 x1 slot</p> <p>* Please check the PCIe bifurcation table at the support site (<a href="https://www.asus.com/support/FAQ/1037507/">https://www.asus.com/support/FAQ/1037507/</a>).</p>
<b>Storage</b>	<p>Total supports 3 x M.2 slots and 8 x SATA 6Gb/s ports*</p> <p>Intel® 13th &amp; 12th Gen Processors</p> <p>- M.2_1 slot (Key M), type 2242/2260/2280 (supports PCIe 4.0 x4 mode)</p> <p>Intel® W680 Chipset**</p> <p>- M.2_2 slot (Key M), type 2242/2260/2280 (supports PCIe 4.0 x4 mode)</p> <p>- M.2_3 slot (Key M), type 2242/2260/2280/22110 (supports PCIe 4.0 x4 mode)</p> <p>- 4 x SATA 6Gb/s ports</p> <p>- 1 x SlimSAS Slot Support SlimSAS NVMe device (supports PCIe 4.0 x4 mode and up to 4 SATA devices)***</p> <p>* Intel® Rapid Storage Technology supports PCIe RAID 0/1/5/10, SATA RAID 0/1/5/10.</p> <p>** Intel® Rapid Storage Technology supports Intel® Optane Memory H Series on PCH attached M.2 slots.</p> <p>*** SlimSAS slot can support up to 4 SATA devices via a transfer cable. the cable is purchased separately.</p>
<b>Ethernet</b>	<p>2 x Intel® 2.5Gb Ethernet</p> <p>ASUS LANGuard</p>
<b>Wireless &amp; Bluetooth</b>	<p>M.2 slot only (Key E, CNVi &amp; PCIe)*</p> <p>*Wi-Fi module is sold separately.</p>
<b>USB</b>	<p>Rear USB (Total 8 ports)</p> <p>- 2 x USB 3.2 Gen 2 ports (1 x Type-A, 1 x Type-C®)</p> <p>- 4 x USB 3.2 Gen 1 ports (4 x Type-A)</p> <p>- 2 x USB 2.0 ports (2 x Type-A)</p> <p>Front USB (Total 7 ports)</p> <p>- 1 x USB 3.2 Gen 2x2 connector (supports USB Type-C®)</p> <p>- 1 x USB 3.2 Gen 1 header supports additional 2 USB 3.2 Gen 1 ports</p> <p>- 2 x USB 2.0 headers support additional 4 USB 2.0 ports</p>
<b>Audio</b>	<p>Realtek 7.1 Surround Sound High Definition Audio CODEC</p> <p>- Supports: Jack-detection, Multi-streaming, Front Panel Jack-retasking</p> <p>- Supports up to 24-Bit/192 kHz playback"</p> <p>Audio Features</p> <p>- Audio Shielding</p> <p>- Premium audio capacitors</p> <p>- Dedicated audio PCB layers</p> <p>- Unique de-pop circuit</p>
<b>Back Panel I/O Ports</b>	<p>-2 x USB 3.2 Gen 2 ports (1 x Type-A, 1 x Type-C®)</p> <p>-4 x USB 3.2 Gen 1 ports (4 x Type-A)</p> <p>-2 x USB 2.0 ports (2 x Type-A)</p> <p>-1 x DisplayPort</p> <p>-1 x HDMI® port</p> <p>-1 x VGA port</p> <p>-2 x Intel® 2.5Gb Ethernet ports</p> <p>-5 x Audio jacks</p> <p>-1 x BIOS Flashback™ button</p>

<b>Internal I/O Connectors</b>	<p>Fan and Cooling related</p> <ul style="list-style-type: none"> <li>1 x 4-pin CPU Fan header</li> <li>1 x 4-pin CPU OPT Fan header</li> <li>1 x 4-pin W_PUMP+ header</li> <li>3 x 4-pin Chassis Fan headers</li> </ul> <p>Power related</p> <ul style="list-style-type: none"> <li>1 x 24-pin Main Power connector</li> <li>1 x 8-pin +12V Power connector</li> <li>1 x 4-pin +12V Power connector</li> <li>1 x 6-pin PCIe Power connector</li> </ul> <p>Storage related</p> <ul style="list-style-type: none"> <li>3 x M.2 slots (Key M)</li> <li>4 x SATA 6Gb/s ports</li> <li>1 x SlimSAS port</li> </ul> <p>USB</p> <ul style="list-style-type: none"> <li>1 x USB 3.2 Gen 2x2 connector (supports USB Type-C®)</li> <li>1 x USB 3.2 Gen 1 header supports 2 additional USB 3.2 Gen 1 ports</li> <li>2 x USB 2.0 headers support 4 additional USB 2.0 ports</li> </ul> <p>Miscellaneous</p> <ul style="list-style-type: none"> <li>1 x LPT header</li> <li>1 x T-sensor</li> <li>1 x Clear CMOS header</li> <li>1 x COM Port header</li> <li>1 x BMC Header</li> <li>1 x Front Panel Audio header (AAFP)</li> <li>1 x Start button</li> <li>1 x Flexkey button</li> <li>1 x SPI TPM header (14-1pin)</li> <li>1 x 20-3 pin System Panel header with Chassis intrude function</li> <li>1 x M.2 slot (Key E)</li> <li>1 x LPT_P80 Switch</li> <li>1 x Thunderbolt™ header</li> </ul>
<b>Special Features</b>	<p>ASUS 5X PROTECTION III</p> <ul style="list-style-type: none"> <li>- DIGI+ VRM (- Digital power design with DrMOS)</li> <li>- ESD Guards</li> <li>- LANGuard</li> <li>- Overvoltage Protection</li> <li>- SafeSlot</li> <li>- Stainless-Steel Back I/O</li> </ul> <p>ASUS Q-Design</p> <ul style="list-style-type: none"> <li>- Q-Code</li> <li>- M.2 Q-Latch</li> <li>- Q-Connector</li> <li>- Q-DIMM</li> <li>- Q-LED (CPU [red], DRAM [yellow], VGA [white], Boot Device [yellow green])</li> <li>- Q-Slot</li> </ul> <p>ASUS Thermal Solution</p> <ul style="list-style-type: none"> <li>- M.2 heatsink</li> <li>- VRM heatsink design</li> </ul> <p>ASUS EZ DIY</p> <ul style="list-style-type: none"> <li>- CPU Socket lever protector</li> <li>- SafeDIMM</li> <li>- SafeSlot</li> <li>- BIOS FlashBack™ button</li> <li>- BIOS FlashBack™ LED</li> </ul> <p>Bespoke Motherboard Design &amp; Business Focused Features</p> <ul style="list-style-type: none"> <li>- 24/7 Reliability</li> </ul>
<b>BIOS</b>	128 Mb Flash ROM, UEFI AMI BIOS
<b>Manageability</b>	WOL by PME, PXE
<b>Accessories</b>	<p>Cables</p> <ul style="list-style-type: none"> <li>2 x SATA 6Gb/s cables</li> </ul> <p>Miscellaneous</p> <ul style="list-style-type: none"> <li>1 x I/O Shield</li> <li>1 x M.2 Rubber Package</li> <li>1 x Screw package for M.2 SSD</li> </ul> <p>Documentation</p> <ul style="list-style-type: none"> <li>1 x User guide</li> </ul>
<b>Operating System</b>	Windows® 11, Windows® 10 64-bit
<b>Form Factor</b>	mATX Form Factor 9.6 inch x 9.6 inch ( 24.4 cm x 24.4 cm )

<b>Software Features</b>	<p>Intel® vPro support  ASUS Exclusive Software  Armoury Crate  - Fan Xpert 4  - Power Saving  ASUS CPU-Z  Adobe Creative Cloud (Free Trial)  Norton 360 Deluxe (60 Days Free Trial)  WinRAR  IT Management software supported  - ASUS Control Center Express(ACCE)  UEFI BIOS  ASUS EZ DIY  - ASUS CrashFree BIOS 3  - ASUS EZ Flash 3  FlexKey</p> <p>Intel® vPro support  ASUS Exclusive Software  Armoury Crate  - Fan Xpert 4  - Power Saving  ASUS CPU-Z  Adobe Creative Cloud (Free Trial)  Norton 360 Deluxe (60 Days Free Trial)  WinRAR  IT Management software supported  - ASUS Control Center Express(ACCE)  UEFI BIOS  ASUS EZ DIY  - ASUS CrashFree BIOS 3  - ASUS EZ Flash 3  FlexKey</p>
<b>BIOS</b>	256 Mb Flash ROM, UEFI AMI BIOS
<b>Manageability</b>	WOL by PME, PXE
<b>BIOS</b>	128 Mb Flash ROM, UEFI AMI BIOS
<b>Manageability</b>	WOL by PME, PXE
<b>Accessories</b>	<p>Cables  2 x SATA 6Gb/s cables  Miscellaneous  1 x Q-connector  1 x M.2 Rubber Packages  2 x Screw package for M.2 SSD  1 x Screw package for M.2 Key E  1 x I/O Shield</p> <p>Documentation  1 x User guide  1 x ACC Express Activation Key Card</p>
<b>Operating System</b>	Windows® 11, Windows® 10 64-bit
<b>ATX Form Factor</b>	12 inch x 9.6 inch ( 30.5 cm x 24.4 cm )

# MECHANICAL DRAWINGS

This is subject to change without Notice. Final Drawings Will be Provided for Approval after Order.



Drawing no.: BPCW31700HD-i7-12-10042023-V1