

RUGGED ALUMINUM MULTI DISPLAY PORTABLE SOLUTION

Aluminum alloy portable server enclosure with rubber corners
3x 17.3" LCD (1920x1080 Resolution), DP Connectors with Single
Intel Xeon Gold 6312U, Complimentary Carrying Bag with wheels

Model: BPCW31700HD-MBD



FEATURES

- All-in-one design multi-screen portable solution
- Built-in 3x 17.3" LCD display, 1920x 1080 resolution
Anti-reflection tempered glass
- Support standard ATX motherboard
- Offer 7 full length slots expansion capability
- Creates a stretched desktop with a max.
Resolution of 5760x 1080 (3x 1920x 1080)
- Open an application on each display or span one across 3-screens
- Experience surround gaming by expanding supported 3D games
- Industrial Keyboard multi-language with touchpad
- Offer 2x5.25", 1x 3.5" drive bay, 1 slim DVD-RW
- Carrying case to manage portable PC with ease



SPECIFICATIONS

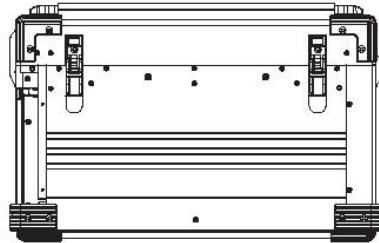
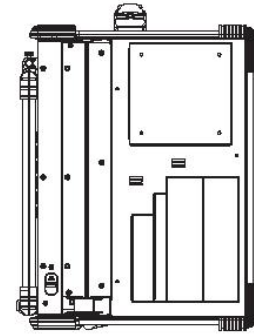
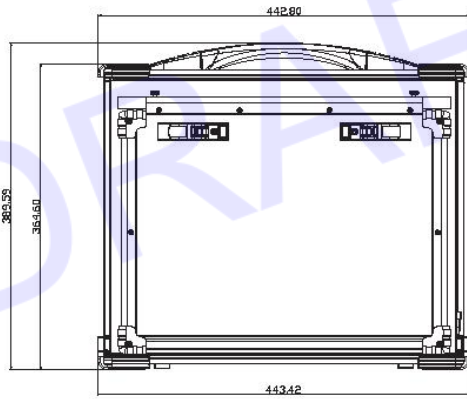
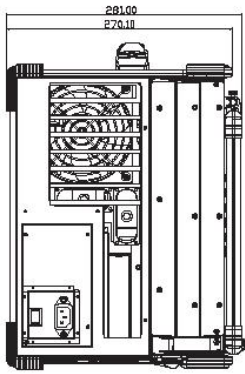
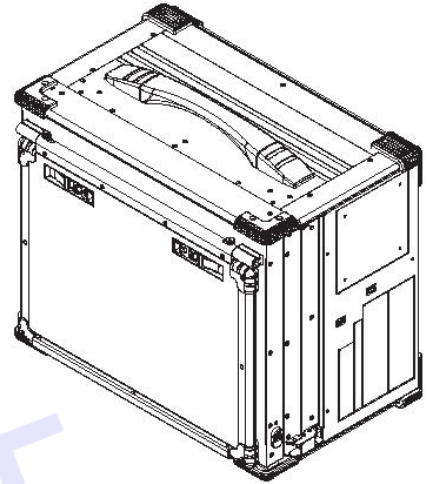
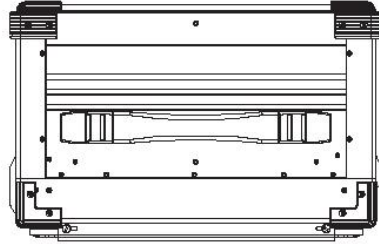
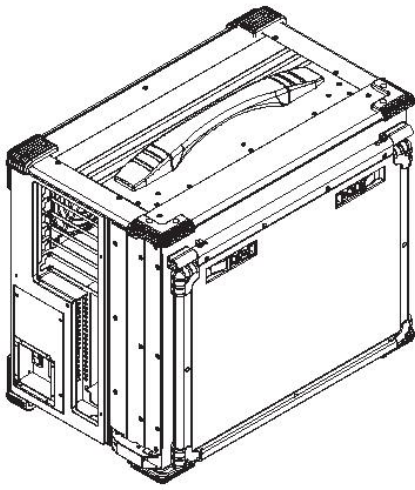
Chassis	Aluminum alloy portable server enclosure with rubber corners	
Display	3x 17.3" LCD (1920x1080 Resolution), DP Connectors	
K/B & Mouse	Foldable USA language keyboard w/touchpad	
CPU Processor	Single Intel Xeon Gold 6312U 3rd Gen Xeon24-Core 2.4GHz Processor	
Motherboard	SUPERMICRO MBD-X12SPL-F-O ATX Server Motherboard LGA 4189 Intel C621A, TPM 2.0	
Memory	32GB DDR4 SDRAM ECC/REG Server Memory (8GB x 4)	
M/B Slots	Slot1-PCIExpress4.0x8/Broadcom9341-8iRAIDcard Slot2-PCIExpress4.0x16/NVidiaT1000graphicscard Slot3-PCIExpress4.0 x8/x16 Slot4-PCIExpress4.0x16/x8 Slot5-PCIExpress3.0x8/x8 Slot6-PCIExpress3.0x8/PCEAC51 WIFI Slot7-PCIExpress3.0x8/CM18738audiocard	
Video Card	NVIDIA T1000, 8 GB GDDR6 - PCIe 3.0 x16 low profile - 4 x Mini DisplayPort	
Video cable adapter	DisplayPort to Mini DisplayPort 1.4 Monitor Extension Cable, 90 degree angled	
Removable HDD kit	"ToughArmor MB516SP-B, 16 x 2.5" SSD / HDD (Max Drive Height: 7mm)	
	8x removable kits connected through Raid card	
	8x removable kits connected through X12SPL-F M/B	
Raid Card	Broadcom MegaRAID SAS 9341-8i (RAID) - 8 Channel - SATA / SAS 12Gb/s	
Heatsink	Dynatron Heat Sink Socket 4189, 2U Model N11	
LAN	2x 10/100/1000 Gigabit Ethernet Controllers	
Wifi Card	Asus Wireless-AC750 Dual-band PCI-E Adapter, Model PCE-AC51	
Sound Card	PCI-E Express 6 Channel 5.1 CM18738 Audio Sound Card	
Optical Drive	Slim DVDRW ODD	
Power Supply	Power Supply	
OS	None	
Environmental Factors		
	Operating	Non-Operating
Temperature	0°C~50°C	-20°C~60°C
Relative Humidity	10%~90%	10%~95%
Approval	CE, FCC, RoHS	
Carrying Bag	Complimentary carrying bag with wheels	
Dimension	17.46" x 15.34" x 11.06" (443.42 x 389.59 x 281mm)	
System Weight	Approx ~ 48 lbs	

*Specifications subject to change without notice, not responsible for typographical errors.

Modified Date: 07-31-2023

MECHANICAL DRAWINGS

This is subject to change without Notice. Final Drawings Will be Provided for Approval after Order.



Drawing no.: BPCW31700HD-MBD-07312023-V1

