

# RUGGED ALUMINUM MULTI DISPLAY PORTABLE SOLUTION

BareBone Chassis Enclosure with 3 Screens Built-in  
 3x 17.3" LCD Display, 1920x1080 Resolution  
 + Redundant Power Supply  
 + Keyboard

Model: BPCW31700HD-BB



## FEATURES

- All-in-one design multi-screen portable solution
- Built-in 3x 17.3" LCD display, 1920x 1080 resolution Anti-reflection tempered glass
- Support standard ATX motherboard
- Offer 7 full length slots expansion capability
- Creates a stretched desktop with a max. Resolution of 5760x 1080 (3x 1920x 1080)
- Open an application on each display or span one across 3-screens
- Experience surround gaming by expanding supported 3D games
- Industrial Keyboard multi-language with touchpad
- PS2 650W power supply, 100~240VAC
- Offer 2x5.25", 1x 3.5" drive bay, 1 slim DVD-RW
- Carrying case to manage portable PC with ease



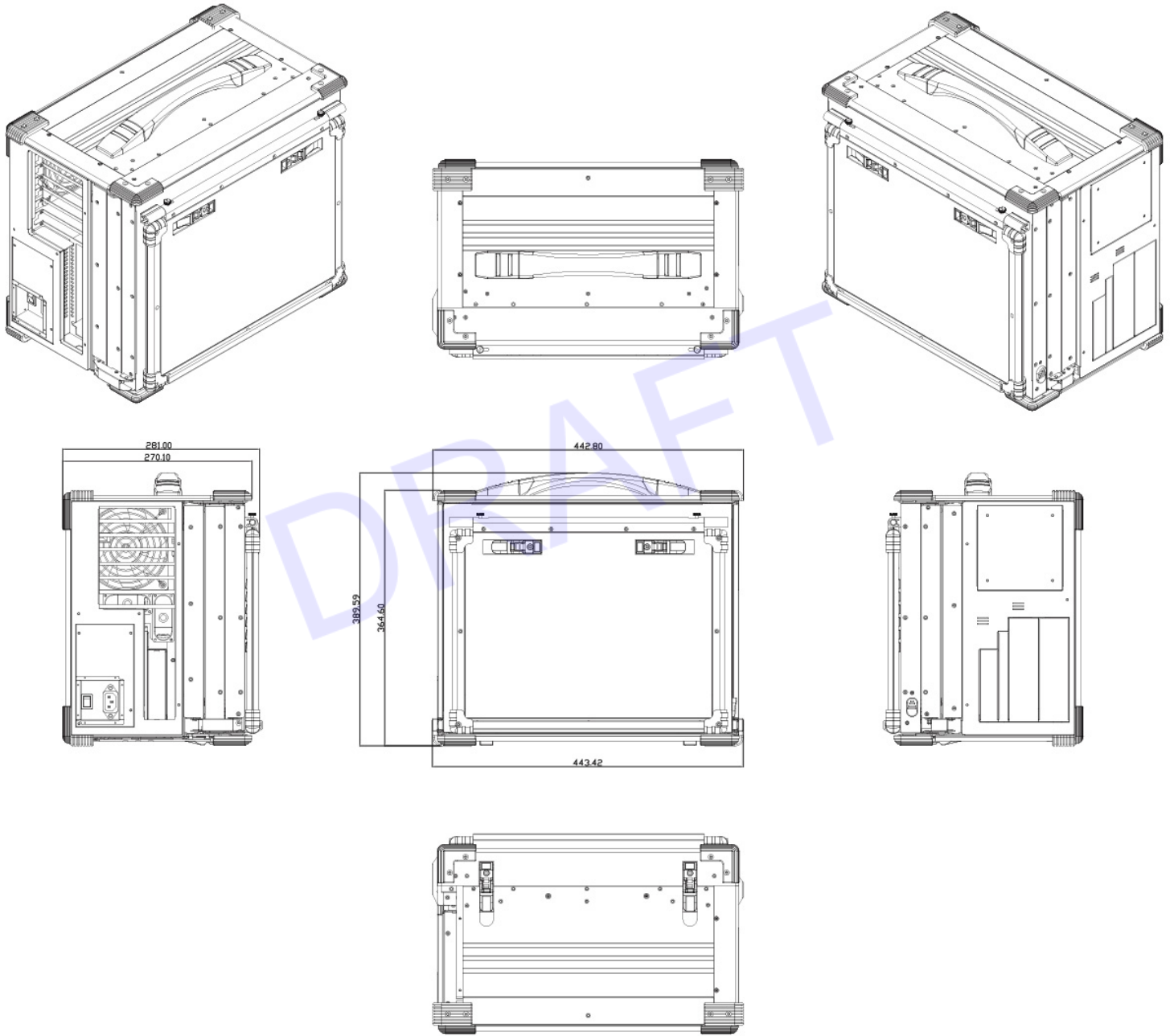
## SPECIFICATIONS

Construction	Rugged Aluminum Construction with rubber corners	
Motherboard	Support standard ATX motherboard	
Slot	Offer 7 full-length expansion slots	
Display	3x 17.3" LCD display, 1920x 1080 resolution Anti-reflection tempered strengthen glass	
Drive bay	Offer 2x5.25", 1x 3.5" drive bay, 1 slim DVD-RW	
VGA	AD conversion board 3 DVI/ HDMI outputs for3 screens	
KB/MS	Multi-language industrial keyboard with touchpad	
Power Supply	PS2 650W, 100~240VAC, Auto switch	
Speaker	Built-in amplified 2x 3W speakers	
Dimension	443x 389x 281 mm (Wx Hx D)	
Weight	19 kgs	
Carrying Case	Padded carrying case with wheels	
<b>Environmental Factors</b>		
	Operating	Non-Operating
Temperature	0°C~50°C	-20°C~60°C
Relative Humidity	10%~90%	10%~95%
Approval	CE, FCC, RoHS	

\*Specifications subject to change without notice, not responsible for typographical errors.

# MECHANICAL DRAWINGS

This is subject to change without Notice. Final Drawings Will be Provided for Approval after Order.



Drawing no.: BPCW31700HD-BB-02072023-V1