

RUGGED ALUMINUM MULTI DISPLAY PORTABLE SOLUTION

3x 17.3" LCD (1920x1080 each Display) Rugged Portable Enclosure, Offer 7 full-length expansion slots with Intel Core i7-12700 CPU, 64GB DDR5 Memory, ZOTAC ZT-T16600K-10M GeForce GTX 1660 850W Power Supply, 110/220v Auto Switching

Model: BPCW31700-i7-Z690



FEATURES

- Compact and versatile, offering a multi-screen portable solution.
- Features 3 built-in 17.3" LCD displays with a sharp 1920x1080 resolutions and anti-reflection tempered glass.
- Supports standard ATX motherboards and provides 7 full-length expansion slots.
- Creates a stretched desktop with a maximum resolution of 5760x1080 across 3 screens (3x 1920x1080).
- Allows opening applications on individual displays or spanning them across all three screens.
- Enables immersive surround gaming experience with expanded support for 3D games.
- Includes an industrial keyboard with multi-language support and touchpad.
- Comes with a carrying case for easy management and portability.
- Equipped with a PS2 850W power supply compatible with 100~240VAC.
- Offers 2x 5.25" and 1x 3.5" drive bays for storage options.
- Includes a trolley case for convenient management of the portable PC.



SPECIFICATIONS

Chassis	Rugged portable enclosure with rubber corners.	
Series Display	3x17.3" LCD (1920x1080 Resolution/each display) 3xDP connectors, w/o tempered glass	
K/B & Mouse	Detachable industrial USA language keyboard w/touchpad	
CPU Processor	Intel Core i7-12700 CPU ADL 12Cores/20Threads 2.1GHz 25M LGA 1700	
CPU Fan:	Low Heatsink and fan	
Motherboard:	Mfr Part Number: PRIME Z690-A Chipset: Intel Z690, Memory: 4x slots (upto 64GB)	
Slots:	5	
Intel®12th Gen Processors	1 x PCIe 5.0/4.0/3.0 x16 slot(s) Intel® Z690 Chipset**	
	1 x PCIe 3.0 x16 slot (supports x4 mode), 1 x PCIe 3.0 x4 slot	
	2 x PCIe 3.0 x1 slots Slot Location 1 : PCI-E x1 (Gen2 X1 Link)	
On-Board Audio	Realtek S1220A 7.1 Surround Sound High Definition Audio CODEC*	
LAN	1 x Intel® 2.5Gb Ethernet port	
Form Factor	ATX 12" x 9.6" (30.5cm x 24.4cm)	
Memory	64GB DDR5 Memory (16GBx4)	
Video Card	ZOTAC ZT-T16600K-10M GeForce GTX 1660 Twin Fan 6GB GDDR5 192B 3xDP/HDMI	
Input/Output Port	1 x USB 3.2 Gen 2x2 port(s) (1 x USB Type-C®)	
	3 x USB 3.2 Gen 2 port(s) (2 x Type-A, 1 x Type-C®)	
	4 x USB 3.2 Gen 1 port(s) (4 x Type-A)	
	1 x DisplayPort, 1 x HDMI® port, 1 x Intel® 2.5Gb Ethernet port, 5 x Audio jacks	
	1 x Optical S/PDIF out port	
M.2	1x WD_BLACK 1TB NVMe Internal Gaming SSD Solid State Drive - Gen4 PCIe, M.2 2280	
LAN	1x Intel® 2.5Gb Ethernet port Ethernet port(RJ45)	
Optical Drive	Slim DVDRW Internal Drive	
Power Supply	850W Power Supply. 110/220v Auto Switching	
OS	Windows 11 Pro 64-bit Media + Installation	
Carrying Bag	Complimentary carrying bag with wheels	
Dimension	443.8x 394.6x 293 mm (Wx Hx D)	
Weight	Approx ~ 47 lbs	
Environmental Factors		
	Operating	Non-Operating
Temperature	0°C~50°C	-20°C~60°C
Relative Humidity	10%~90%	10%~95%
Approval	CE, FCC, RoHS	

*Specifications subject to change without notice, not responsible for typographical errors.

Modified Date: 02-24-2024

ASUS PRIME Z690-A - Motherboard

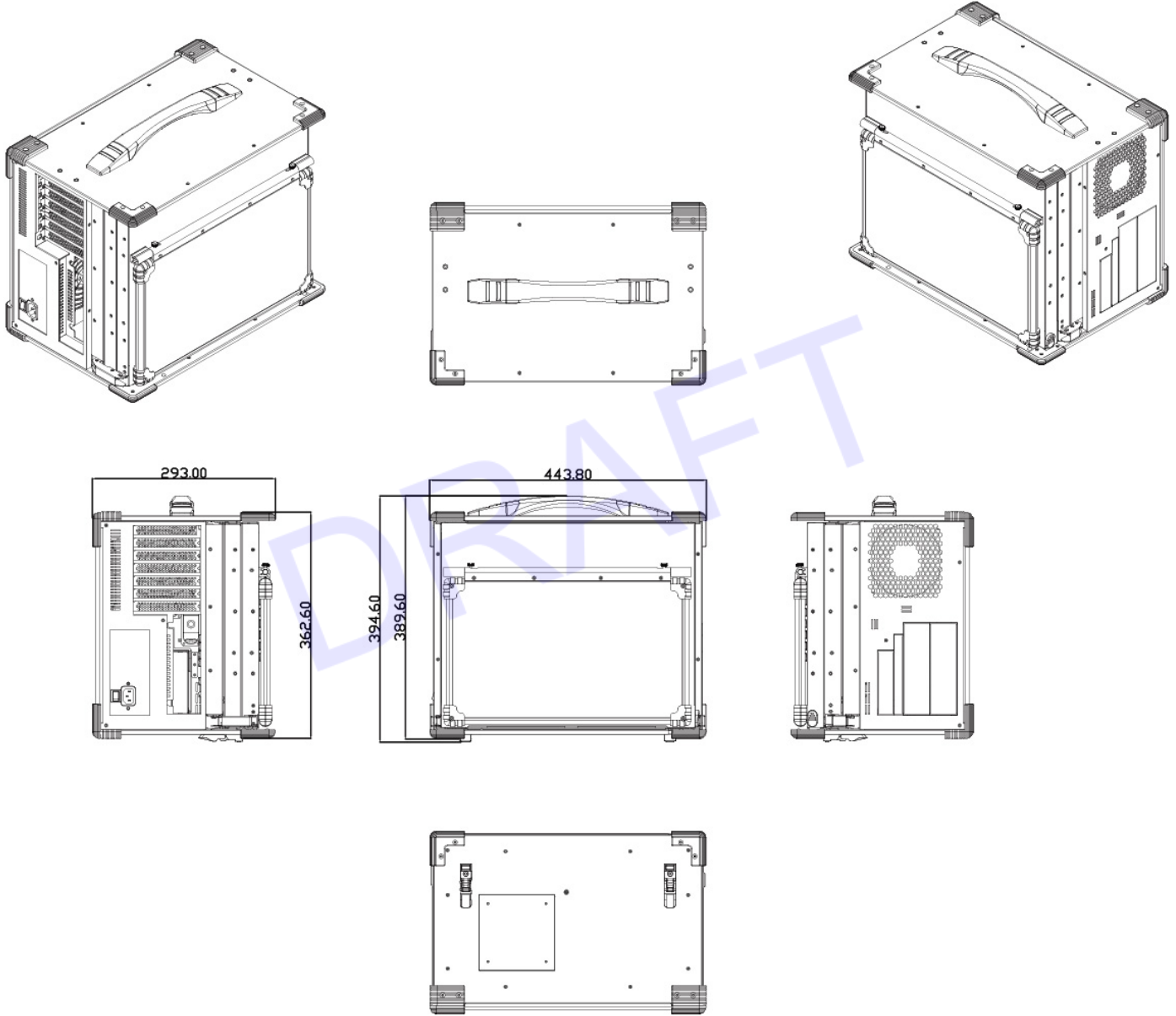
CPU	Intel® Socket LGA1700 for 13th Gen Intel® Core™ & 12th Gen Intel® Core™, Pentium® Gold and Celeron® Processors Supports Intel® Turbo Boost Technology 2.0 and Intel® Turbo Boost Max Technology 3.0**
Chipset	Z690
Memory	Max Memory Size:192GB 4 x DIMM, Max. 128GB, DDR5 6000(OC)/ 5800(OC)/ 5600(OC)/ 5400(OC)/ 5200(OC)/ 5000(OC)/ 4800 Non-ECC, Un-buffered Memory* Dual Channel Memory Architecture Supports Intel® Extreme Memory Profile (XMP) OptiMem II * Supported memory types, data rate(Speed), and number of DRAM module vary depending on the CPU and memory configuration, for more information refer to www.asus.com for memory support list.
Graphics	1 x DisplayPort** 1 x HDMI® port*** * Graphics specifications may vary between CPU types. ** Supports max. 8K@60Hz as specified in DisplayPort 1.4. *** Supports 4K@60Hz as specified in HDMI 2.1.
Expansion Slots	Intel®12th Gen Processors* 1 x PCIe 5.0/4.0/3.0 x16 slot(s) Intel® Z690 Chipset** 1 x PCIe 3.0 x16 slot (supports x4 mode) 1 x PCIe 3.0 x4 slot 2 x PCIe 3.0 x1 slots * Please check PCIe bifurcation table in support site. (https://www.asus.com/support/FAQ/1037507/) ** Supports Intel® Optane Memory H Series on PCH-attached PCIe slot.
Storage	Supports 4 x M.2 slots and 4 x SATA 6Gb/s ports Intel®12th Gen Processors M.2_1 slot (Key M), type 2242/2260/2280/22110 - Intel®12th Gen processors support PCIe 4.0 x4 mode. Intel® Z690 Chipset** M.2_2 slot (Key M), type 2242/2260/2280 (supports PCIe 4.0 x4 mode) M.2_3 slot (Key M), type 2242/2260/2280/22110 (supports PCIe 4.0 x4 mode) M.2_4 slot (Key M), type 2242/2260/2280 (supports PCIe 4.0 x4 & SATA modes) 4 x SATA 6Gb/s ports * Intel® Rapid Storage Technology supports NVMe RAID 0/1/5, SATA RAID 0/1/5/10. ** Intel® Rapid Storage Technology supports Intel® Optane Memory H Series on PCH attached M.2 slots.
Ethernet	1 x Intel® 2.5Gb Ethernet ASUS LANGuard
USB	Rear USB:Total 8 ports 1 x USB 3.2 Gen 2x2 port(s) (1 x USB Type-C®) 3 x USB 3.2 Gen 2 port(s) (2 x Type-A + 1 x USB Type-C®) 4 x USB 3.2 Gen 1 port(s) (4 x Type-A) Front USB:Total 7 ports 1 x USB 3.2 Gen 2 connector(s) (support(s) USB Type-C®) 1 x USB 3.2 Gen 1 header(s) support(s) additional 2 USB 3.2 Gen 1 ports 2 x USB 2.0 header(s) support(s) additional 4 USB 2.0 ports
Audio	Realtek 7.1 Surround Sound High Definition Audio CODEC - Supports: Jack-detection, Multi-streaming, Front Panel Jack-retasking - Supports up to 24-Bit/192 kHz playback" Audio Features - Audio Shielding - Premium audio capacitors - Dedicated audio PCB layers - Unique de-pop circuit
Back Panel I/O Ports	-2 x USB 3.2 Gen 2 ports (1 x Type-A, 1 x Type-C®) -4 x USB 3.2 Gen 1 ports (4 x Type-A) -2 x USB 2.0 ports (2 x Type-A) -1 x DisplayPort -1 x HDMI® port -1 x VGA port -2 x Intel® 2.5Gb Ethernet ports -5 x Audio jacks -1 x BIOS Flashback™ button

Audio	<p>Realtek S1220A 7.1 Surround Sound High Definition Audio CODEC*</p> <ul style="list-style-type: none"> - Impedance sense for front and rear headphone outputs - Internal audio Amplifier to enhance the highest quality sound for headphone and speakers - Supports: Jack-detection, Multi-streaming, Front Panel Jack-retasking - High quality 120 dB SNR stereo playback output and 113 dB SNR recording input (Line-in) - Supports up to 32-Bit/192 kHz playback* <p>Audio Features</p> <ul style="list-style-type: none"> - Audio Shielding - Power pre-regulator reduces power input noise to ensure consistent performance - Rear optical S/PDIF out port - Premium audio capacitors - Dedicated audio PCB layers - Audio cover - Unique de-pop circuit <p>* Due to limitations in HDA bandwidth, 32-Bit/192 kHz is not supported for 7.1 Surround Sound audio.</p>
Back Panel I/O Ports	<p>1 x USB 3.2 Gen 2x2 port(s) (1 x USB Type-C®)</p> <p>3 x USB 3.2 Gen 2 port(s) (2 x Type-A, 1 x Type-C®)</p> <p>4 x USB 3.2 Gen 1 port(s) (4 x Type-A)</p> <p>1 x DisplayPort</p> <p>1 x HDMI® port</p> <p>1 x Intel® 2.5Gb Ethernet port</p> <p>5 x Audio jacks</p> <p>1 x Optical S/PDIF out port</p>
Internal I/O Connectors	<p>Fan and Cooling related</p> <p>1 x 4-pin CPU Fan header(s)</p> <p>1 x 4-pin CPU OPT Fan header(s)</p> <p>1 x 4-pin AIO Pump header(s)</p> <p>4 x 4-pin Chassis Fan header(s)</p> <p>1 x W_PUMP+ header(s)</p> <p>Power related</p> <p>1 x 24-pin Main Power connector</p> <p>2 x 8-pin +12V Power connector</p> <p>Storage related</p> <p>4 x M.2 slots (Key M)</p> <p>4 x SATA 6Gb/s ports</p> <p>USB</p> <p>1 x USB 3.2 Gen 2 connector (support(s) USB Type-C®)</p> <p>1 x USB 3.2 Gen 1 header(s) support(s) additional 2 USB 3.2 Gen 1 ports</p> <p>2 x USB 2.0 header(s) support(s) additional 4 USB 2.0 ports</p> <p>Miscellaneous</p> <p>3 x Addressable Gen 2 header(s)</p> <p>1 x AURA RGB header(s)</p> <p>1 x Clear CMOS button</p> <p>1 x COM Port header</p> <p>1 x CPU Over Voltage jumper</p> <p>1 x Front Panel Audio header (AAFP)</p> <p>1 x Power button</p> <p>1 x SPI TPM header (14-1pin)</p> <p>1 x 20-3 pin System Panel header with Chassis intrude function</p> <p>1 x Thermal Sensor header</p> <p>1 x Thunderbolt™ header</p>
BIOS	256 Mb Flash ROM, UEFI AMI BIOS
Manageability	WOL by PME, PXE
Accessories	<p>Cables</p> <p>2 x SATA 6Gb/s cables</p> <p>Miscellaneous</p> <p>1 x M.2 Rubber Package(s)</p> <p>1 x Q-connector</p> <p>1 x M.2 Q-Latch package(s)</p> <p>Installation Media</p> <p>1 x Support DVD</p> <p>Documentation</p> <p>1 x User guide</p>
Operating System	Windows® 11, Windows® 10 64-bit
Form Factor	ATX 30.5cm x 24.4cm

Special Features	<p>ASUS 5X PROTECTION III</p> <ul style="list-style-type: none"> - DIGI+ VRM (- Digital power design with DrMOS) - Enhanced DRAM Overcurrent Protection - ESD Guards - LANGuard - Overvoltage Protection - SafeSlot - Stainless-Steel Back I/O <p>ASUS Q-Design</p> <ul style="list-style-type: none"> - M.2 Q-Latch - Q-Connector - Q-DIMM - Q-LED (CPU [red], DRAM [yellow], VGA [white], Boot Device [yellow green]) - Q-Slot <p>ASUS Thermal Solution</p> <ul style="list-style-type: none"> - M.2 heatsink backplate - M.2 heatsink - VRM heatsink design <p>ASUS EZ DIY</p> <ul style="list-style-type: none"> - Box headers - Clear CMOS button - CPU socket lever protector - ProCool - Pre-mounted I/O shield <p>AURA Sync</p> <ul style="list-style-type: none"> - AURA RGB header(s) - Addressable Gen 2 header(s)
Software Features	<p>ASUS Exclusive Software</p> <p>Armoury Crate</p> <ul style="list-style-type: none"> - AURA Creator - AURA Sync - Fan Xpert 4 - Two-Way AI Noise Cancelation <p>AI Suite 3</p> <ul style="list-style-type: none"> - Easy Optimization with AI Overclocking <p>TPU</p> <p>EPU</p> <p>DIGI+ VRM</p> <p>Turbo app</p> <p>ASUS CPU-Z</p> <p>DTS:X® Ultra</p> <p>Norton Anti-virus software (Free Trial version)</p> <p>WinRAR</p> <p>UEFI BIOS</p> <p>AI Overclocking Guide</p> <p>ASUS EZ DIY</p> <ul style="list-style-type: none"> - ASUS CrashFree BIOS 3 - ASUS EZ Flash 3 - ASUS UEFI BIOS EZ Mode <p>FlexKey</p> <p>MemTest86</p>

MECHANICAL DRAWINGS

This is subject to change without Notice. Final Drawings Will be Provided for Approval after Order.



Drawing no.: BPCW31700-i7-Z690-02242024-V1