

# BARE BONES ALUMINUM RUGGED PORTABLE ENCLOSURE



17.3" LCD 1920x1080 Bare Bones Aluminum Extrusion Rugged portable enclosure with rubber corners, Support Micro ATX Motherboard and support mini-ITX , Detachable industrial notebook membrane type USA language keyboard w/ touchpad and 5 Wired Resistive Touch

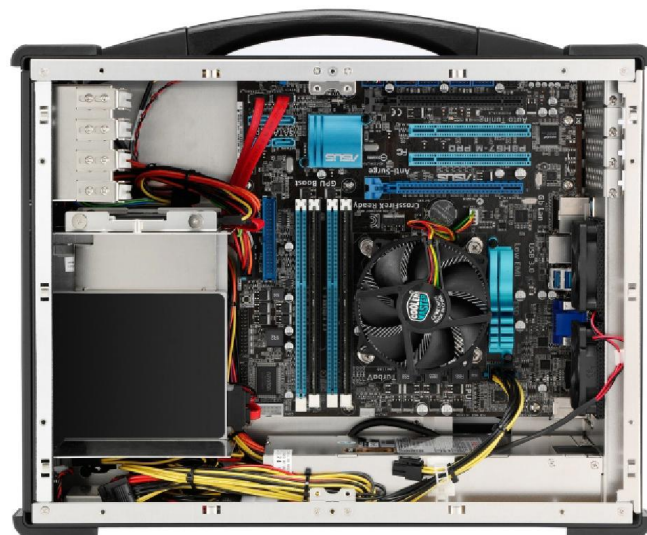
Model: BPCW1730HD2-BB-TR

## FEATURES:

- 17.3" FHD LCD display, 1920x1080, LED backlight
- Support Micro ATX Motherboard
- Offer 4 full length slots expansion capability
- Industrial multi-languages keyboard with touchpad
- 1 U 600W power supply, 100-240VAC
- Support 2x 5.25", 1x 2.5" hidden, 1x slim DVD-RW
- Carrying case to manage portable PC with ease

## SPECIFICATION:

Motherboard	Support Micro ATX Motherboard
Slots	Offer 4 full length expansion slots
Display	17.3" FHD LCD Display, 1920x 1080, LED backlight
Drive bay	Support 2x 5.25", 1x 2.5" hidden, 1x slim DVD-RW
VGA	AD conversion board, DVI interface (Option VGA)
KB/MS	104-key industrial multi-language Keyboard/touchpad
Power Supply	1 U 600W, 100-240VAC, Auto switch
Construction	Aluminum Construction with rubber corners
Speaker	Built-in amplified 2x 3W speakers
Dimension	417Wx350Hx186Dmm
Weight	8kgs
Carrying Case	Padded carrying case with wheels

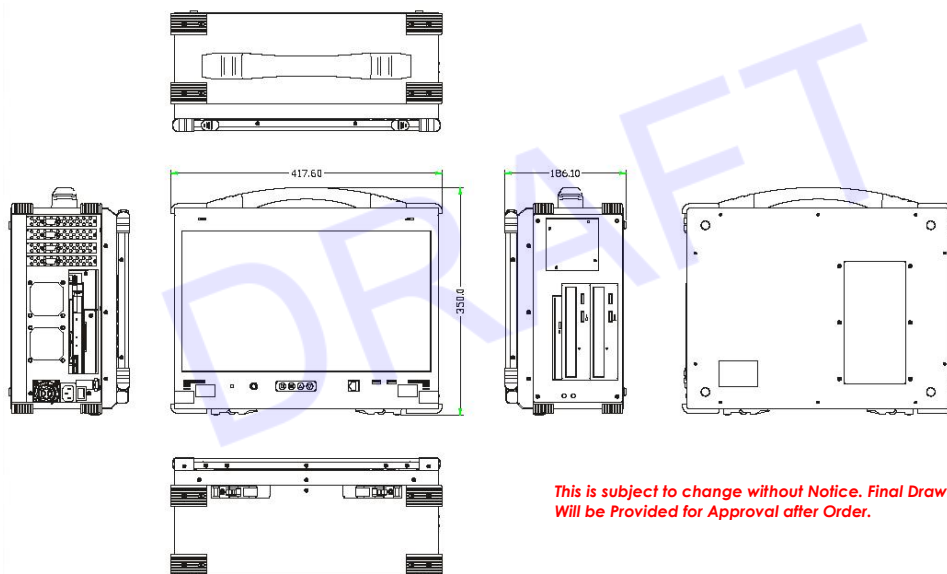


## ENVIRONMENT FACTORS:

	Operating	Non-Operating
Temperature	0°C~50°C	-20°C~60°C
Relative Humidity	10%~90%	10%~95%
Approval	CE, FCC, RoHS	

*\*Specifications subject to change without notice, not responsible for typographical errors.*

## MECHANICAL DRAWINGS:



*This is subject to change without Notice. Final Drawings Will be Provided for Approval after Order.*

