

APC Series

15", 17" & 19" NEMA 4X Industrial Display Computers

FEATURES:

- 15 inch Active Matrix TFT LCD Display
- Native Resolution at 1024 x 768
- 5-Wire Resistive Touch Screen
- One 2.5" SATA HDD
- Multiple Mounting Options
- NEMA 4X
- ACP version available



APC1500



SPECIFICATIONS:

| | APC1500VA | APC1500D |
|-------------------------------|---|---|
| LCD Display | | |
| Display Size (Diagnol) | 15 inch | 15 inch |
| Resolution | 1024 x 768 | 1024 x 768 |
| Backlight Lifetime (Hours) | 30,000 | 30,000 |
| Visual Characteristics | | |
| Colors | 16 Million | 16 Million |
| Aspect ratio | 4:3 | 4:3 |
| Viewing angle (V/H) | 120° / 130° | 120° / 130° |
| Response time(Typical) | 12 ms | 12 ms |
| Pixel Pitch(mm) | 0.297 x 0.297 | 0.297 x 0.297 |
| Contrast ratio | 500:1 | 500:1 |
| Brightness | 250 nits | 250 nits |
| Touch Screen | | |
| Technology | 5 Wire Resistive | 5 Wire Resistive |
| Touch rating | 35 Million Touches | 35 Million Touches |
| MTBF | 490,000 hours | 490,000 hours |
| Interface | RS-232 | RS-232 |
| Driver | WinXP Pro, XPe | WinXP Pro |
| System | | |
| CPU | VIA 1.5GHz C7 CPU | Core 2 Duo Mobile |
| Chipset | VIA CN 700 | GME965 + ICH8M |
| Memory | Up to 1GB | Up to 4GB |
| Video Controller | CN 700 Integrated S3 Graphic Engine | GME965 GMA X3100 |
| Video Interface | LVDS | LVDS |
| Storage Option | 1 x 2.5" SATA HDD | 1 x 2.5" SATA HDD |
| Compact Flash | Optional CF | N/A |
| Keyboard/Mouse | 2 x PS/2 Connectors (Optional) | 2 x PS/2 Connectors (Optional) |
| Audio | N/A | N/A |
| Watchdog Timer | Programmable 1 - 255 sec | Programmable 1 - 255 sec |
| Expansion Slot | 1 x Mini PCI | 1 x Mini PCI |
| I/O Communication | | |
| USB Port | 1 x USB 2.0 | 1 x USB 2.0 |
| Serial Port | 2 x RS-232 (Optional) | 2 x RS-232 (Optional) |
| LAN | Dual Gigabit LAN | Dual Gigabit LAN |
| Parallel | 1 x Port | N/A |
| OS Support | | |
| OS Support | WinXP Pro, XPe | WinXP Pro |
| Power/Thermal Specs. | | |
| Power Requirement (Max) | 120VAC/0.775A, 24VDC/3.8A | 120VAC/0.96A, 24VDC/4.8A |
| Power Consumption (Max) | 93W | 115W |
| Heat Dissipation | 317 BTU/hr | 391 BTU/hr |
| Physical Information | | |
| Mounting | Pedestal, VESA, Wall and Ceiling mount, Benchtop | Pedestal, VESA, Wall and Ceiling mount, Benchtop |
| Net Weight | 46.297 lbs / 21 kg | 46.297 lbs / 21 kg |
| Physical Dimension (WxHxD) | 14.51 x 12.42 x 4.09 inch 368.6 x 315.5 x 103.9 mm | 14.51 x 12.42 x 4.09 inch 368.6 x 315.5 x 103.9 mm |
| Environmental | | |
| Operating Temp | 0°- 50° C (32° - 122° F) | 0°- 50° C (32° - 122° F) |
| Storage Temp | -20° - 60° C (-4° - 140° F) | -20° - 60° C (-4° - 140° F) |
| Relative Humidity | 5% - 95% (non-condensing) | 5% - 95% (non-condensing) |
| Rating | NEMA 4X | NEMA 4X |



APC Series

15", 17" & 19" NEMA 4X Industrial Display Computers

FEATURES:

- 17 inch Active Matrix TFT LCD Display
- Native Resolution at 1280 x 1024
- 5-Wire Resistive Touch Screen
- One 2.5" SATA HDD
- Multiple Mounting Options
- NEMA 4X
- ACP version available



APC1700

SPECIFICATIONS:

| | APC1700VA | APC1700D |
|-------------------------------|---|---|
| LCD Display | | |
| Display Size (Diagnol) | 17 inch | 17 inch |
| Resolution | 1280 x 1024 | 1280 x 1024 |
| Backlight Lifetime (Hours) | 50,000 | 50,000 |
| Visual Characteristics | | |
| Colors | 16 Million | 16 Million |
| Aspect ratio | 4:3 | 4:3 |
| Viewing angle (V/H) | 140° / 140° | 140° / 140° |
| Response time(Typical) | 12 ms | 12 ms |
| Pixel Pitch(mm) | 0.264 x 0.264 | 0.264 x 0.264 |
| Contrast ratio | 800:1 | 800:1 |
| Brightness | 300 nits | 300 nits |
| Touch Screen | | |
| Technology | 5 Wire Resistive | 5 Wire Resistive |
| Touch rating | 35 Million Touches | 35 Million Touches |
| MTBF | 490,000 hours | 490,000 hours |
| Interface | RS-232 | RS-232 |
| Driver | WinXP Pro, XPe | WinXP Pro |
| System | | |
| CPU | VIA 1.5GHz C7 CPU | Core 2 Duo Mobile |
| Chipset | VIA CN 700 | GME965 + ICH8M |
| Memory | Up to 1GB | Up to 4GB |
| Video Controller | CN 700 Integrated S3 Graphic Engine | GME965 GMA X3100 |
| Video Interface | LVDS | LVDS |
| Storage Option | 1 x 2.5" SATA HDD | 1 x 2.5" SATA HDD |
| Compact Flash | Optional CF | Optional CF |
| Keyboard/Mouse | 2 x PS/2 Connectors (Optional) | 2 x PS/2 Connectors (Optional) |
| Audio | N/A | N/A |
| Watchdog Timer | Programmable 1 - 255 sec | Programmable 1 - 255 sec |
| Expansion Slot | 1 x Mini PCI | 1 x Mini PCI |
| I/O Communication | | |
| USB Port | 1 x USB 2.0 | 1 x USB 2.0 |
| Serial Port | 2 x RS-232 (Optional) | 2 x RS-232 (Optional) |
| LAN | Dual Gigabit LAN | Dual Gigabit LAN |
| Parallel | 1 x Port | N/A |
| OS Support | | |
| OS Support | WinXP Pro, XPe | WinXP Pro |
| Power/Thermal Specs. | | |
| Power Requirement (Max) | 120VAC/0.775A, 24VDC/3.8A | 120VAC/0.96A, 24VDC/4.8A |
| Power Consumption (Max) | 108W | 130W |
| Heat Dissipation | 368 BTU/hr | 442 BTU/hr |
| Physical Information | | |
| Mounting | Pedestal, VESA, Wall and Ceiling mount, Benchtop | Pedestal, VESA, Wall and Ceiling mount, Benchtop |
| Net Weight | 48.501 lbs / 22 kg | 48.501 lbs / 22 kg |
| Physical Dimension (WxHxD) | 15.88 x 14.07 x 4.36 inch 403.4 x 357.4 x 110.7 mm | 15.88 x 14.07 x 4.36 inch 403.4 x 357.4 x 110.7 mm |
| Environmental | | |
| Operating Temp | 0° - 50° C (32° - 122° F) | 0° - 50° C (32° - 122° F) |
| Storage Temp | -20° - 60° C (-4° - 140° F) | -20° - 60° C (-4° - 140° F) |
| Relative Humidity | 5% - 95% (non-condensing) | 5% - 95% (non-condensing) |
| Rating | NEMA 4X | NEMA 4X |

APC Series

15", 17" & 19" NEMA 4X Industrial Display Computers

FEATURES:

- 19 inch Active Matrix TFT LCD Display
- Native Resolution at 1280 x 1024
- 5-Wire Resistive Touch Screen
- One 2.5" SATA HDD
- Multiple Mounting Options
- NEMA 4X
- ACP version available



APC1900

SPECIFICATIONS:

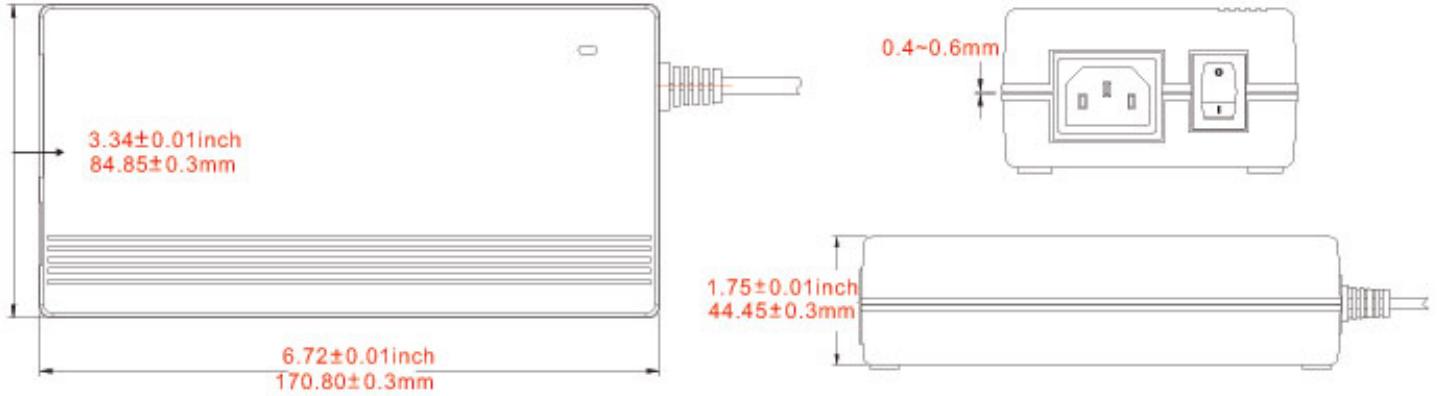
| | APC1900VA | APC1900D |
|-------------------------------|---|---|
| LCD Display | | |
| Display Size (Diagnol) | 19 inch | 19 inch |
| Resolution | 1280 x 1024 | 1280 x 1024 |
| Backlight Lifetime (Hours) | 50,000 | 50,000 |
| Visual Characteristics | | |
| Colors | 16 Million | 16 Million |
| Aspect ratio | 4:3 | 4:3 |
| Viewing angle (V/H) | 178° / 178° | 178° / 178° |
| Response time(Typical) | 20 ms | 20 ms |
| Pixel Pitch(mm) | 0.294 x 0.294 | 0.294 x 0.294 |
| Contrast ratio | 700:1 | 700:1 |
| Brightness | 300 nits | 300 nits |
| Touch Screen | | |
| Technology | 5 Wire Resistive | 5 Wire Resistive |
| Touch rating | 35 Million Touches | 35 Million Touches |
| MTBF | 490,000 hours | 490,000 hours |
| Interface | RS-232 | RS-232 |
| Driver | WinXP Pro, XPe | WinXP Pro |
| System | | |
| CPU | VIA 1.5GHz C7 CPU | Core 2 Duo Mobile |
| Chipset | VIA CN 700 | GME965 + ICH8M |
| Memory | Up to 1GB | Up to 4GB |
| Video Controller | CN 700 Integrated S3 Graphic Engine | GME965 GMA X3100 |
| Video Interface | LVDS | LVDS |
| Storage Option | 1 x 2.5" SATA HDD | 1 x 2.5" SATA HDD |
| Compact Flash | Optional CF | Optional CF |
| Keyboard/Mouse | 2 x PS/2 Connectors (Optional) | 2 x PS/2 Connectors (Optional) |
| Audio | N/A | N/A |
| Watchdog Timer | Programmable 1 - 255 sec | Programmable 1 - 255 sec |
| Expansion Slot | 1 x Mini PCI | 1 x Mini PCI |
| I/O Communication | | |
| USB Port | 1 x USB 2.0 | 1 x USB 2.0 |
| Serial Port | 2 x RS-232 (Optional) | 2 x RS-232 (Optional) |
| LAN | Dual Gigabit LAN | Dual Gigabit LAN |
| Parallel | 1 x Port | N/A |
| OS Support | | |
| OS Support | WinXP Pro, XPe | WinXP Pro |
| Power/Thermal Specs. | | |
| Power Requirement (Max) | 120VAC/0.775A, 24VDC/3.8A | 120VAC/0.96A, 24VDC/4.8A |
| Power Consumption (Max) | 113W | 135W |
| Heat Dissipation | 385 BTU/hr | 459 BTU/hr |
| Physical Information | | |
| Mounting | Pedestal, VESA, Wall and Ceiling mount, Benchtop | Pedestal, VESA, Wall and Ceiling mount, Benchtop |
| Net Weight | 50.706 lbs/ 23 kg | 50.706 lbs/ 23 kg |
| Physical Dimension (WxHxD) | 17.8 x 15.19 x 4.4 inch 452.1 x 385.8 x 111.8 mm | 17.8 x 15.19 x 4.4 inch 452.1 x 385.8 x 111.8 mm |
| Environmental | | |
| Operating Temp | 0° - 50° C (32° - 122° F) | 0° - 50° C (32° - 122° F) |
| Storage Temp | -20° - 60° C (-4° - 140° F) | -20° - 60° C (-4° - 140° F) |
| Relative Humidity | 5% - 95% (non-condensing) | 5% - 95% (non-condensing) |
| Rating | NEMA 4X | NEMA 4X |

APC Series

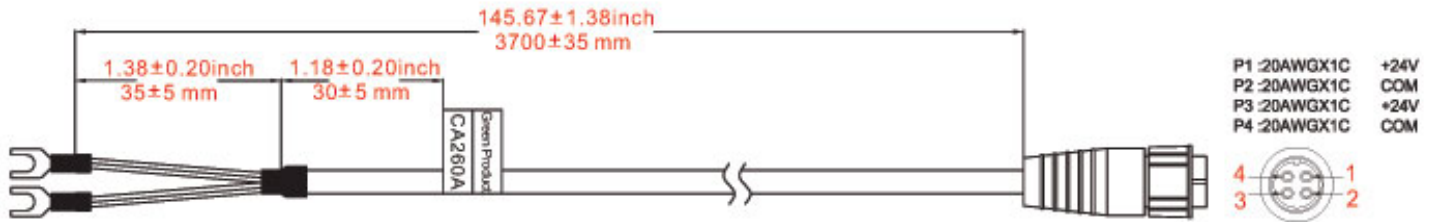
15", 17" & 19" NEMA 4X Industrial Display Computers

APC Series Power Supply:

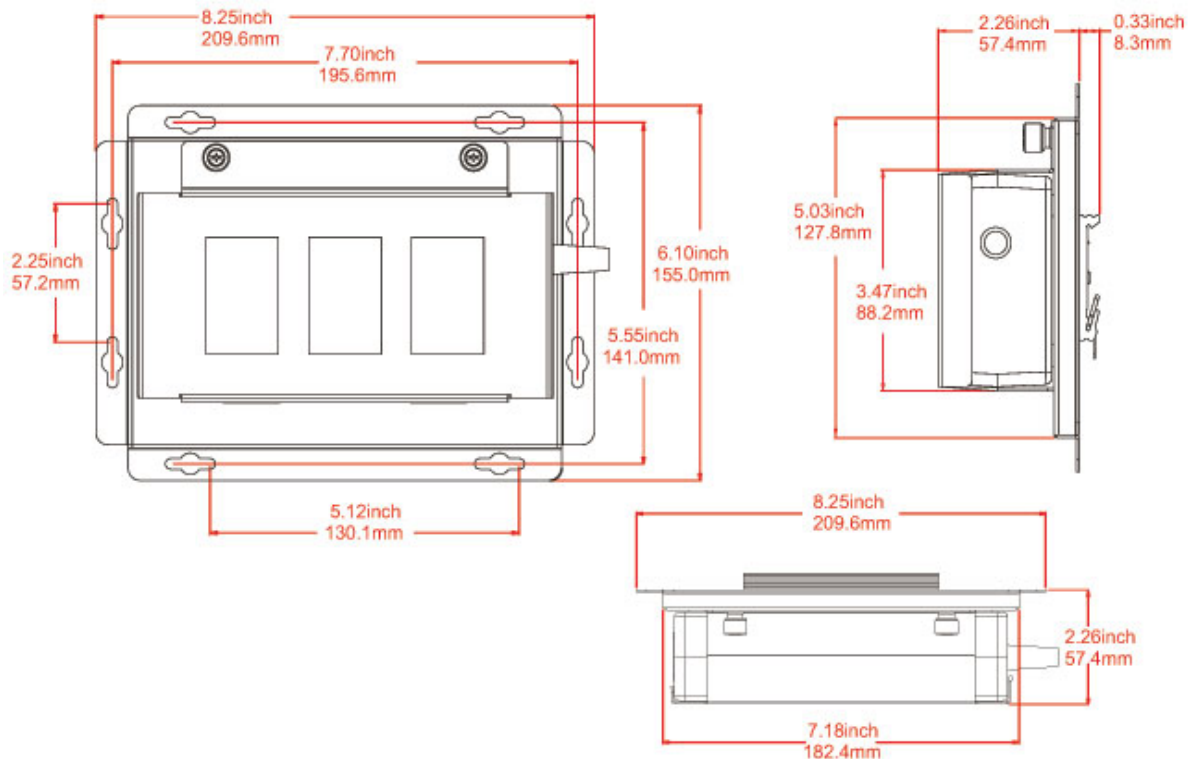
Model: APA150 (110~220VAC Input, 24 VDC Output power supply)



Model: A24DC (24 VDC Input power cord)



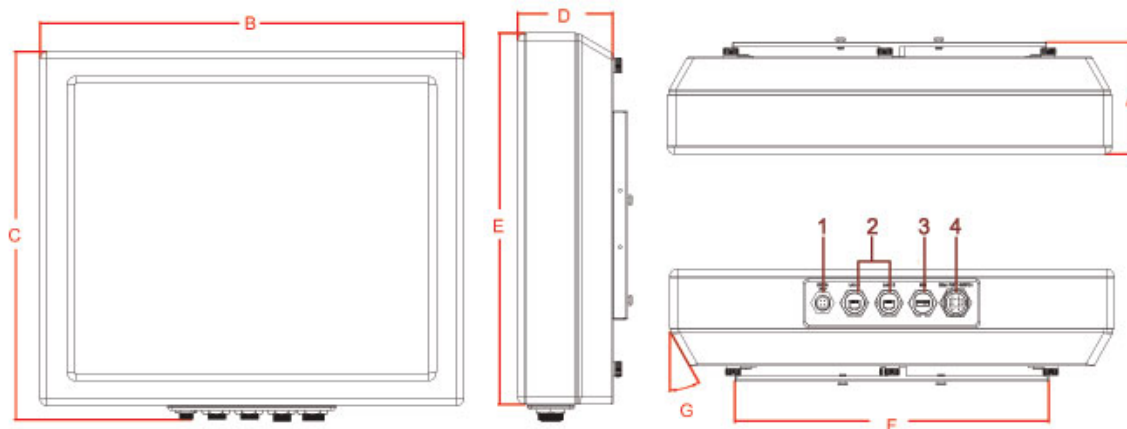
APAM Mounting Bracket Line Drawing:



APC Series

15", 17" & 19" NEMA 4X Industrial Display Computers

APC Series Line Drawing:



| | <i>APC1500</i> | <i>APC1700</i> | <i>APC1900</i> |
|----------|------------------------|------------------------|------------------------|
| A | 4.09 inch / 103.9 mm | 4.36 inch / 110.7 mm | 4.4 inch / 111.8 mm |
| B | 14.51 inch / 368.6 mm | 15.88 inch / 403.4 mm | 17.8 inch / 452.1 mm |
| C | 12.42 inch / 315.5 mm | 14.07 inch / 357.4 mm | 15.19 inch / 385.8 mm |
| D | 3.5 inch / 88.9 mm | 3.77 inch / 95.8 mm | 3.81 inch / 96.8 mm |
| E | 11.8 inch / 299.7 mm | 13.46 inch / 341.9 mm | 14.60 inch / 370.8 mm |
| F | 12.575 inch / 319.4 mm | 12.575 inch / 319.4 mm | 12.575 inch / 319.4 mm |
| G | 30° | 30° | 30° |

- 1 = Power**
- 2 = Ethernet Ports**
- 3 = USB**
- 4 = 22 Pin Universal Port**

Benchtop Stand Assembly:

ABS-001

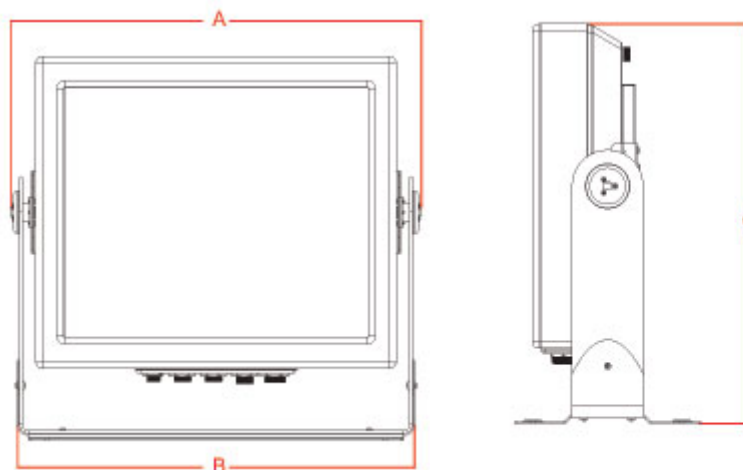
APC1500/ACH1500 Benchtop Stand Assembly

ABS-002

APC1700/ACH1700 Benchtop Stand Assembly

ABS-003

APC1900/ACH1900 Benchtop Stand Assembly



| | <i>APC1500</i> | <i>APC1700</i> | <i>APC1900</i> |
|----------|-----------------------|-----------------------|-----------------------|
| A | 16.79 inch / 426.4 mm | 18.09 inch / 459.4 mm | 19.86 inch / 504.4 mm |
| B | 16.17 inch / 410.8 mm | 17.47 inch / 443.8 mm | 19.24 inch / 488.8 mm |
| C | 14.91 inch / 378.6 mm | 16.57 inch / 420.9 mm | 17.71 inch / 449.8 mm |
| D | 7.87 inch / 200.0 mm | 7.87 inch / 200.0 mm | 7.87 inch / 200.0 mm |



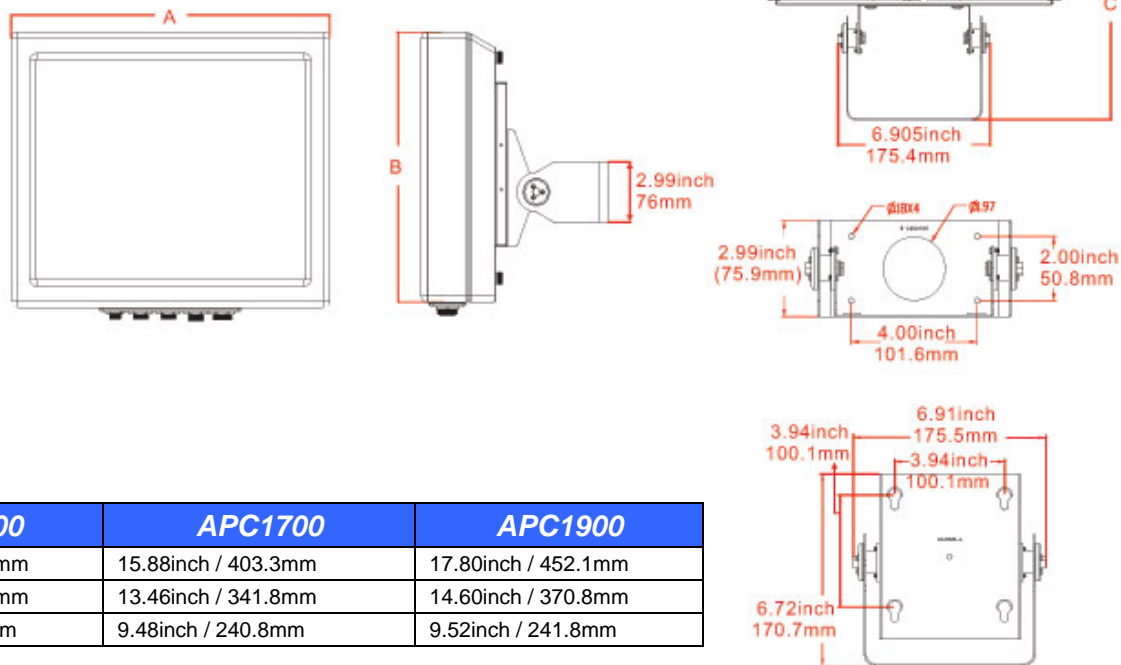
APC Series

15", 17" & 19" NEMA 4X Industrial Display Computers

Pedestal Mount Bracket Assembly:

APM-001

APC Series/ACH Series
Pedestal Mount Bracket Assembly

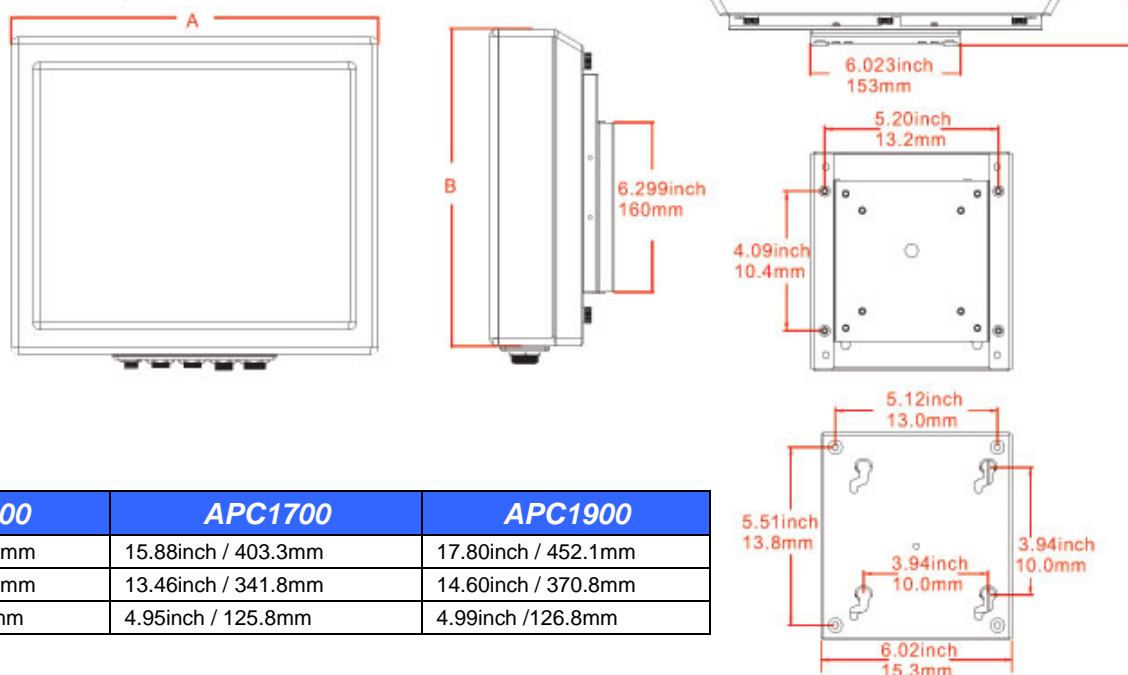


| | APC1500 | APC1700 | APC1900 |
|----------|---------------------|---------------------|---------------------|
| A | 14.51inch / 368.5mm | 15.88inch / 403.3mm | 17.80inch / 452.1mm |
| B | 11.80inch / 299.6mm | 13.46inch / 341.8mm | 14.60inch / 370.8mm |
| C | 9.21inch / 234.0mm | 9.48inch / 240.8mm | 9.52inch / 241.8mm |

VESA Mount Bracket Assembly:

AVM-001

APC Series/ACH Series
VESA Mount Bracket Assembly



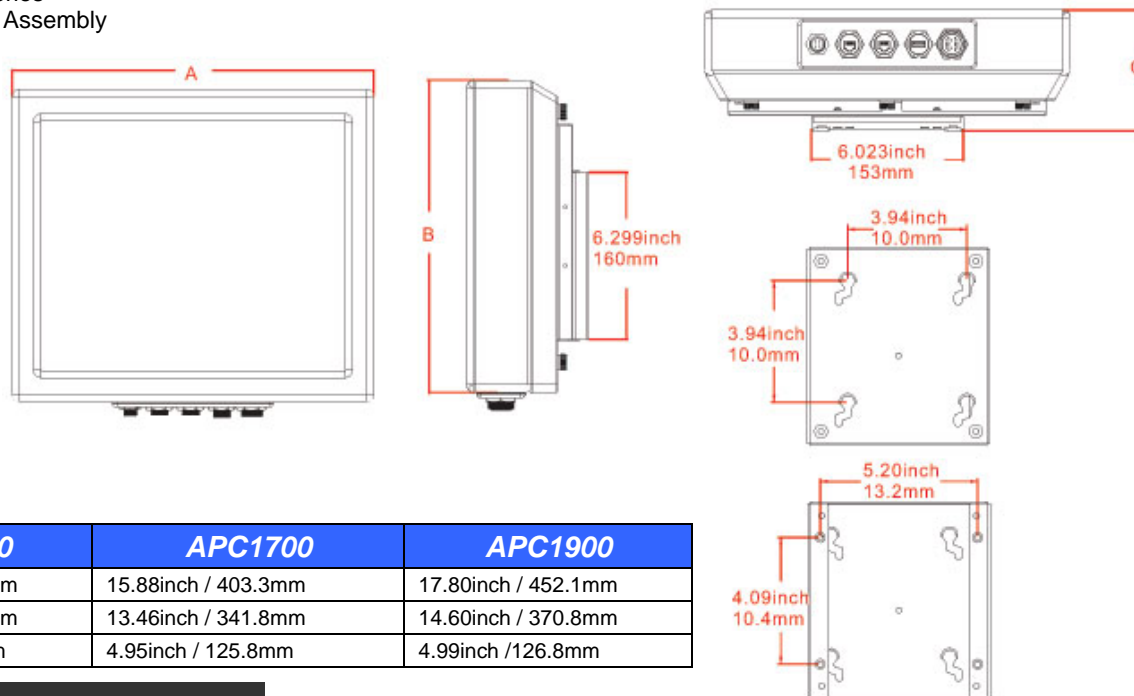
| | APC1500 | APC1700 | APC1900 |
|----------|---------------------|---------------------|---------------------|
| A | 14.51inch / 368.5mm | 15.88inch / 403.3mm | 17.80inch / 452.1mm |
| B | 11.80inch / 299.6mm | 13.46inch / 341.8mm | 14.60inch / 370.8mm |
| C | 4.69inch / 119.0mm | 4.95inch / 125.8mm | 4.99inch / 126.8mm |

APC Series

15", 17" & 19" NEMA 4X Industrial Display Computers

Wall Mount Bracket Assembly:

AWM-001
 APC Series/ACH Series
 Wall Mount Bracket Assembly

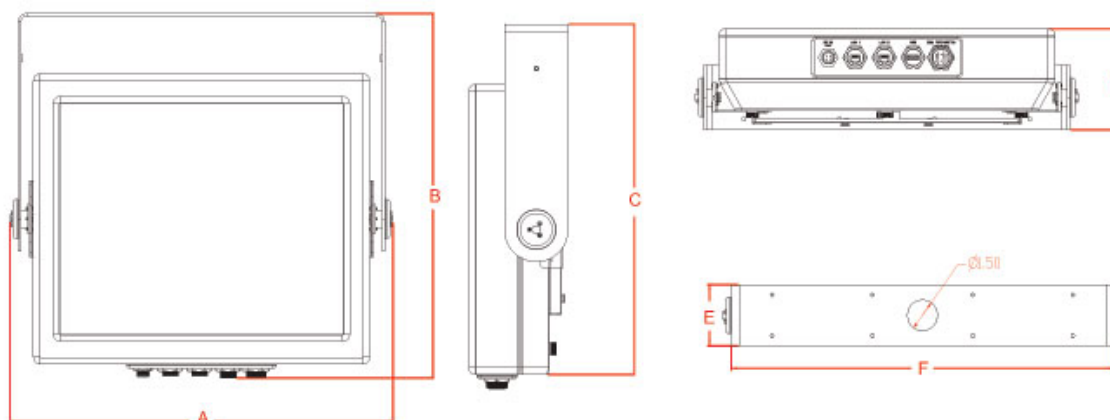


| | APC1500 | APC1700 | APC1900 |
|----------|---------------------|---------------------|---------------------|
| A | 14.51inch / 368.5mm | 15.88inch / 403.3mm | 17.80inch / 452.1mm |
| B | 11.80inch / 299.6mm | 13.46inch / 341.8mm | 14.60inch / 370.8mm |
| C | 4.69inch / 119.0mm | 4.95inch / 125.8mm | 4.99inch / 126.8mm |

Ceiling Mount Bracket

ACM-001
 APC1500/ACH1500 Ceiling Mount Assembly
ACM-003
 APC1900/ACH1900 Ceiling Mount Assembly

ACM-002
 APC1700/ACH1700 Ceiling Mount Assembly



| | APC1500 | APC1700 | APC1900 |
|----------|-----------------------|-----------------------|-----------------------|
| A | 16.79 inch / 426.4 mm | 18.09 inch / 459.4 mm | 19.86 inch / 504.4 mm |
| B | 15.30 inch / 388.6 mm | 16.92 inch / 429.7 mm | 18.05 inch / 469.9 mm |
| C | 14.64 inch / 371.8 mm | 16.26 inch / 412.9 mm | 17.39 inch / 441.8 mm |
| D | 4.41 inch / 112.0 mm | 4.68 inch / 118.8 mm | 4.72 inch / 119.8 mm |
| E | 2.99 inch / 7.6 mm | 2.99 inch / 7.6 mm | 2.99 inch / 7.6 mm |
| F | 16.00 inch / 40.6 mm | 17.30 inch / 43.9 mm | 19.07 inch / 48.4 mm |

