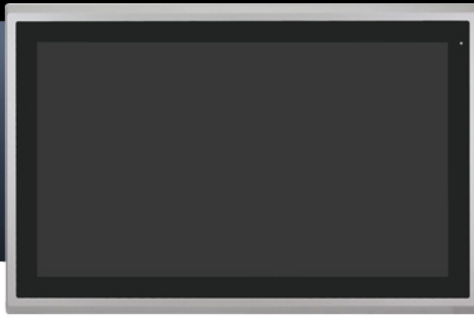


INDUSTRIAL FANLESS PANEL PC



21.5" FHD Fanless HMI barebone with Intel Pentium N4200 (1.1 GHz) CPU
 4GB DDR3L RAM, Projected Capacitive touch, 9~36VDC input with
 adapter, Aluminum chassis. TS64GSSD452K 64GB 2.5" SSD452K
 SATA3 3D TLC, Aluminum case
**1 x POE 45W IEEE802.3at af compliant/RJ-45 connector
 input 48V/output 12V, 2 x USB 2.0**

MODEL: APCW2150-POE

FEATURES:

- 21.5" Industrial Compact Size Panel PC
- Celeron N2930(1.83.GHz)
- Flat Front Panel Touch Screen with IP66 Front Bezel
- Fanless Design
- DC 9~36V Wide-Ranging Power Input
- Support Expansion via Full-size Mini PCIe and M.2 slots
- Support TPM2.0 Hardware Security
- High Brightness 1,000 nits for option



SPECIFICATION:

SYSTEM	
CPU	Intel Pentium N4200 (1.1 GHz)
System Chipset	SoC
Memory	4GB DDR3L RAM
I/O PORT	
USB	4 x USB 3.0 type A
Serial	1 x DB-9 Connector, Including: * 1 x RS-232(RTS, Rx, Tx, CTS), pin1 RTS/5V/12V selectable via jumper (COM1) * 1 x RS-232(Tx, Rx) / 422/485(COM2) by Y Cable
Audio	1 x Audio Line Out
DP	1 x DP Port
LAN	2 x GbE LAN RJ-45
Power	1 x 3-pin Terminal Block Connector 1 x 2-pin Power Switch Connector
OPTION	VESA Stand 4G LTE WiFi 4/5/6+ BT 4 x USB 2.0 type A 4 x USB 2.0 type A + 1 x Mini-PCIe + 1 x SIM slot 2 x COM (RS-232) (TB-528C2) 1 x COM (RS-232) + 2 x USB 2.0 (TB-528C1U2) 1 x COM (RS-232) + 2 x USB 2.0 + 1 x Power Button 2 x COM (RS-232) + 1 x Mini-PCIe slot + 1 x SIM slot 2 x COM (RS-422/485, isolated) 2 x CAN 1 x LAN + 2 x USB 2.0 type A Backup Battery 21W/10.8V/1.95Ah(3S1P)
STORAGE SPACE	
Storage	TS64GSSD452K 64GB 2.5" SSD452K, SATA3, 3D TLC, Aluminum case
EXPANSION	
Onboard expansion bus	1 x Mini-PCIe slot (full size) 1 x Nano SIM Card Holder

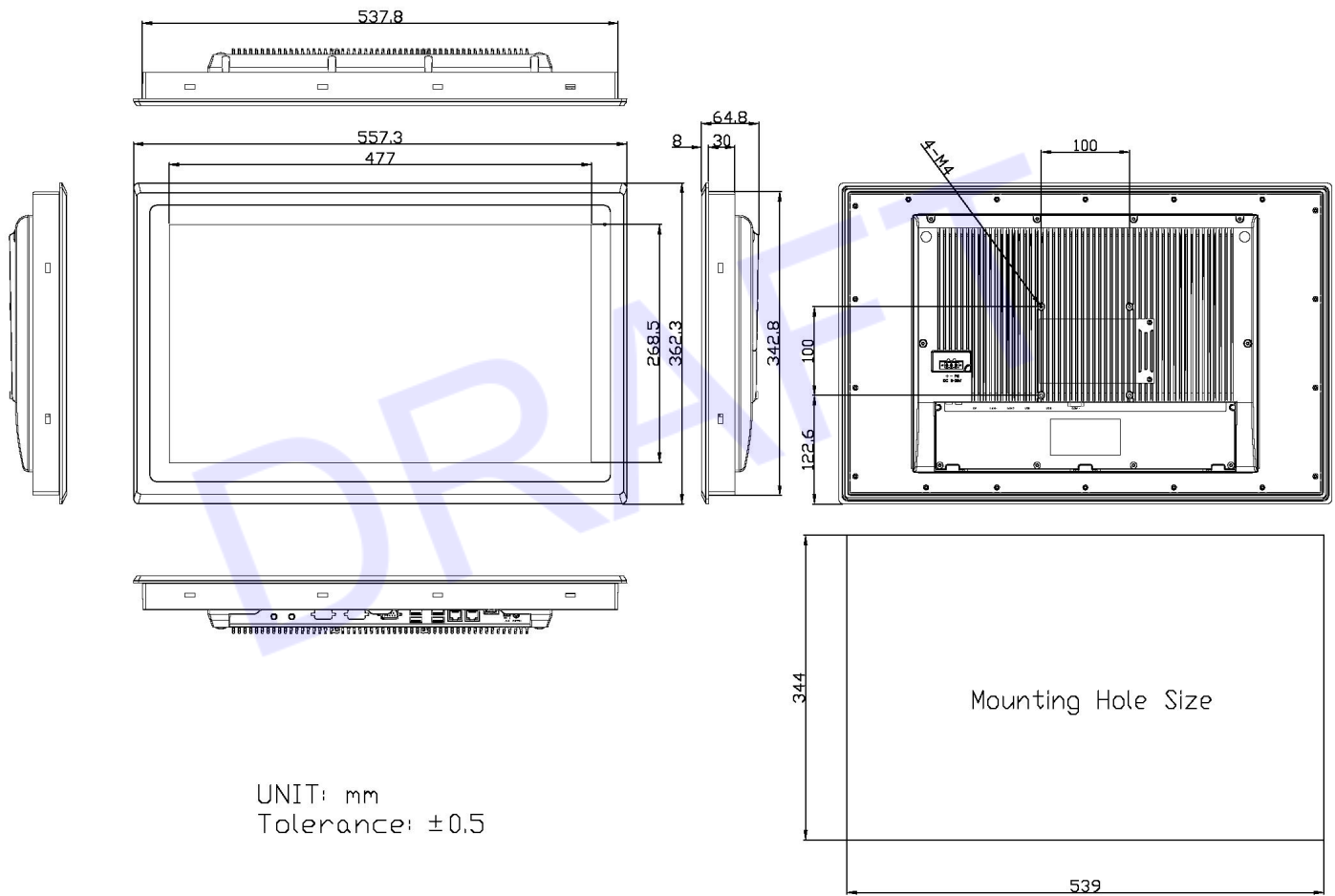
TOUCH SCREEN	
Type	Projected Capacitive Touch
Interface	USB
USB	Projected Capacitive Touch: 90%
POWER	
Power Input	DC 9~36V
Power Consumption	74W (MAX)
MECHANICAL	
Construction	Aluminum Die-casting Chassis
Mounting	Panel Mount, VESA 100 x 100
Dimensions (WxHxD)	557.3 x 362.3 x 64.8 mm
IP Rating	IP66 Compliant Front Bezel
Net Weight	7.5 kg
ENVIRONMENTAL	
Operating Temperature	0~50°C
Storage Temperature	-30~70°C
Humidity	10 to 95%@ 40°C, non-condensing
Certificate	CE / FCC, Class A
OPERATING SYSTEM SUPPORT	
Win10 IoT	

***Specifications subject to change without notice, not responsible for typographical errors.**

DISPLAY	STANDARD	HIGH BRIGHTNESS OPTIONAL
Display Type	21.5" TFT-LCD	21.5" TFT-LCD
Max. Resolution	1920x1080	1920x1080
Max. Color	16.7M	16.7M
Luminance (cd/m2)	250	1000
View Angle	178(H) / 178(V)	178(H) / 178(V)
Contrast	1000:1	1000:1
Backlight Lifetime	50,000 hrs	50,000 hrs

DIMENSION:

This is subject to change without Notice. Final Drawings Will be Provided for Approval after Order.



UNIT: mm
Tolerance: ±0.5

Drawing No.: APCW2150-POE-04112023-V1