

# FANLESS TOUCH PANEL PC

15.6" WXGA Fanless HMI Barebone with Intel 11th Gen. Core i3-1115G4E  
2x DDR4 Slot, 1x M.2 2280 SATA Slot, 1x M.2 E key Slot, Projected  
Capacitive Touch, 9~36VDC input with Adapter, Aluminum Chassis.

**Model: APCW1560HB-PCAP**



## FEATURES:

- 15.6" Industrial Compact Size Panel PC
- 11th Gen. Intel Core i3 Processor
- Flat Front Panel Touch Screen with IP66 Front Bezel
- Fanless Design
- RAM: 8GB DDR4 2133/2400/2666/3200 SO-DIMM
- SSD: M.2/128G/3D TLC/SATA3/2280/B+M Key/-20~75 DEGREE
- TB-528C2 2x COM RS-232
- Optical Bonding: 15.6" Optical Bonding
- High Brightness: 15.6" 1366x768 LCD 1000nits
- OS Windows 10 IoT Enterprise 2021 LTSC Value PKEA
- DC 9~36V Wide-Ranging Power Input
- Support Expansion via Full-size Mini-PCIe and M.2 slots
- Support TPM2.0 hardware security



## SPECIFICATIONS:

SYSTEM	
CPU	11th Gen. Intel Core i3 Processors Core i3-1115G4E (Dual Core, 6 MB cache, 2.20 GHz)
System Chipset Memory	SoC
Memory	2 x 260-pin SO-DIMM up to 64GB DDR4 3200MHz
I/O PORT	
USB	4 x USB 3.0 type A
Serial	1 x DB-9 connector, including: * 1 x RS-232(RTS, Rx, Tx, CTS), pin1 RTS/5V/12V selectable via jumper (COM1) * 1 x RS-232(Tx, Rx)/422/485(COM2) by Y Cable
Audio	1 x Audio Line Out
LAN	1 x 1GbE, 1 x 2.5GbE LAN RJ-45
DP	1 x DP/HDMI
Power	1 x 3-pin Terminal Block Connector 1 x 2-pin Power Switch Connector
Option	4G LTE Wi-Fi + Bluetooth 4 x USB 2.0 type A 4 x USB 2.0 type A + 1 x Mini-PCIe + 1 SIM slot 1 x COM (RS-232) + 2 x USB 2.0 1 x COM (RS-232) + 2 x USB 2.0 + 1 x Power Button 2 x COM (RS-232) 2 x COM (RS-232) + 1 x Mini-PCIe slot + 1 x SIM slot 2 x COM (RS-422/485, isolated) 2 x CAN 1 x LAN + 2 x USB 2.0 1 x LAN(45W isolated PoE PD) + 2 x USB 2.0 type A* Backup Battery (TB-528 Series or backup battery only be inserted in either one) Either high brightness panel or backup battery can be installed in HMI
STORAGE SPACE	
Storage	1 x M.2 M-Key 2280 (Support PCIe/SATA3)
EXPANSION	
Onboard Expansion	1 x Mini-PCIe slot (full size) 1 x M.2 E key for Wifi/BT Module 1 x Nano SIM slot

*\*Specifications subject to change without notice, not responsible for typographical errors.*

DISPLAY	HIGH BRIGHTNESS
Display Type	15.6" TFT-LCD
Max. Resolution	1366 x 768
Max. Color	16.7M
Luminance (cd/m <sup>2</sup> )	1000
View Angle	160(H) / 160(V)
Contrast	500:1
Backlight Lifetime	50,000 hrs

Touch Screen	
Type	Projected Capacitive Touch
Interface	USB
Light Transmission(%)	90%
Power	
Power Input	DC 9~36V
Power Consumption	70W

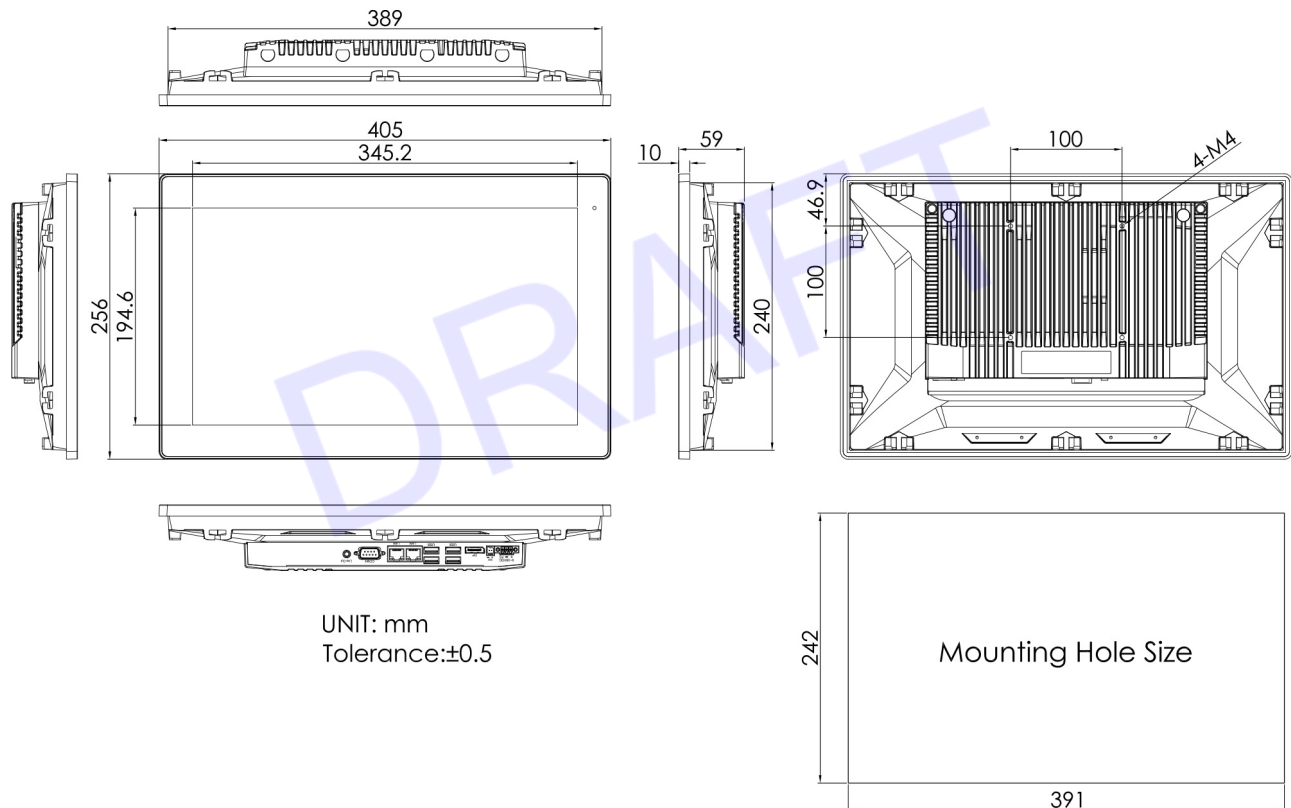
Mechanical	
Construction	Aluminum Die-casting Chassis
Mounting	Panel Mount, VESA 100 x 100
Dimensions (WxHxD)	405 x 256 x 59 mm
IP Rating	IP66 Compliant Front Bezel
Net Weight	3.7kg

Environmental	
Operating Temperature	0~50°C / -20~60°C (option)
Storage Temperature	-30~70°C
Storage Humidity	10 to 90%@ 40°C, non-condensing
Certificate	Meet CE/FCC class A

Operating System Support	
Windows 10 IoT, Windows 11	

## MECHANICAL DRAWING:

*This is subject to change without Notice. Final Drawings Will be Provided for Approval after Order.*



Drawing No.: APCW1560HB-PCAP-03192024-V1