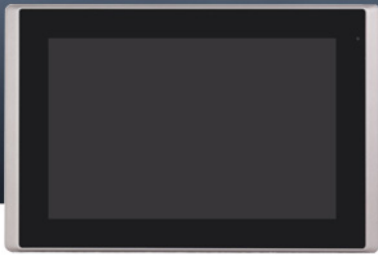


FANLESS INDUSTRIAL COMPACT PANEL PC

10.1" WXGA Fanless HMI Barebone with Intel Pentium N4200 (1.1 GHz) CPU
4GB DDR3L RAM, Projected Capacitive Touch, 9~36VDC input with adapter, Aluminum Chassis

- RAM: 8GB DDR4 2133/2400/2666/3200 SO-DIMM
- Storage: TS128GSSD452K-I 128GB 2.5" SSD452K, SATA3, 3D TLC, Aluminum case, IND
- OS: Linux
- Brightness: 1000 nits (support -20~60C)
- Wide Temp (-20~60C)



MODEL: APCW1010HB-N4-UL2

FEATURES:

- 10.1" Industrial Compact Panel PC
- Flat Front Panel with Touch Screen functionality
- Compliant with IP66 standards for front panel protection
- Intel Apollo Lake processor N4200
- On-Board Memory options of 4GB or 8GB DDR3L clocked at 1600MHz
- Optional support for a Projected Capacitive Touchscreen with a 7H Anti-scratch Surface
- Operates on a wide-ranging DC power input of 9~36V
- High-brightness display with 1000nits (support -20~60C)



SPECIFICATION:

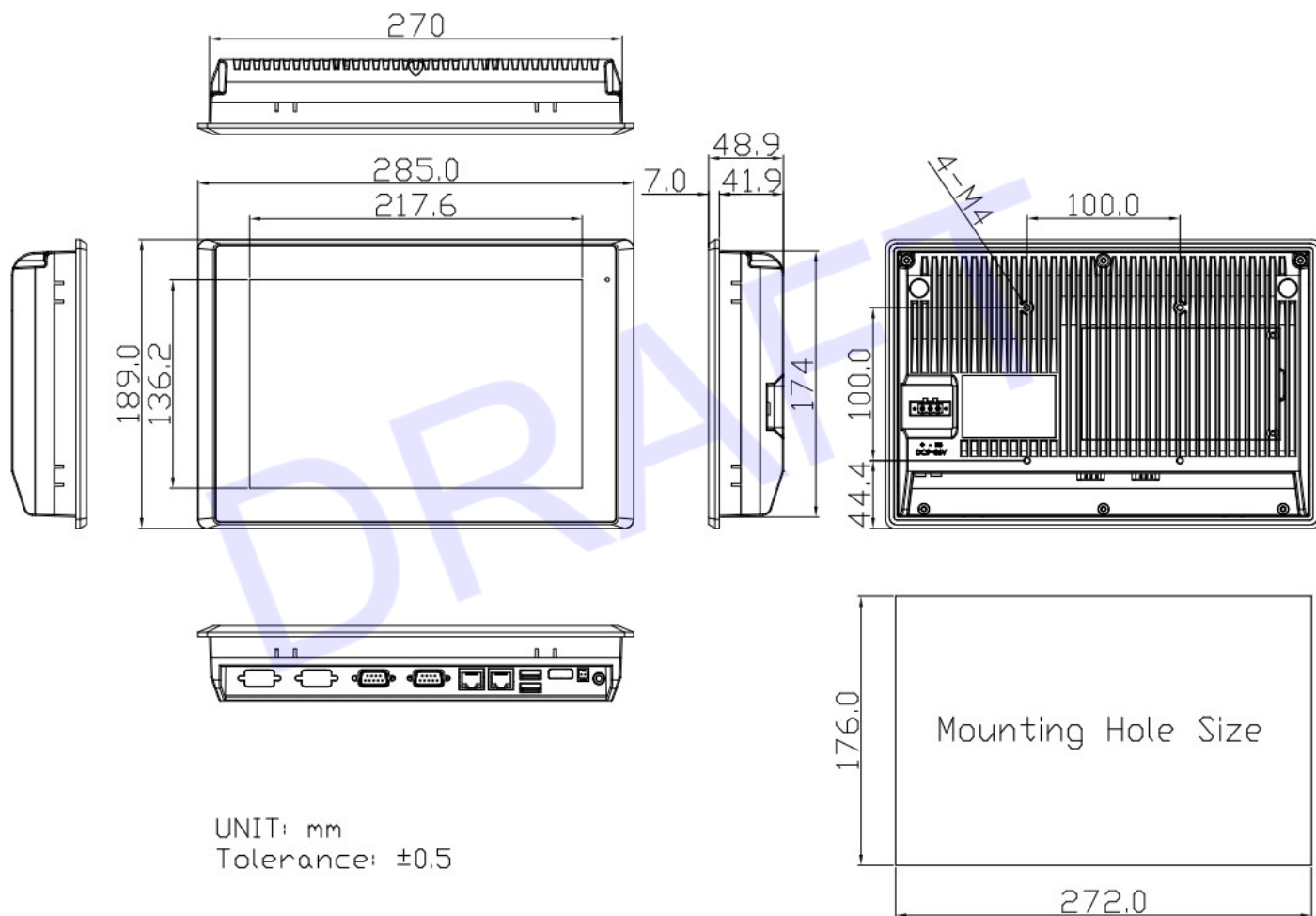
System	
CPU	Intel Pentium N4200 Processor (2M Cache, 1.1GHz)
System Chipset	SoC
Memory	Onboard 4GB DDR3L SDRAM, up to 8GB (option)
I/O Port	
TPM	TPM 2.0
USB	2 x USB 3.0 type A
Serial / Parallel	1 x RS-232/422/485 DB9 (COM1), default RS-232 1 x RS-232 DB9 (COM2)
Audio	1 x Audio Line Out
LAN	2 x GbE LAN RJ-45
Power	1 x 3-pin Terminal Block Connector 1 x 2-pin Power Switch Connector
Option	VESA Stand 4G LTE/WiFi/ BT 4 x USB 2.0 type A (TB-528U4) 4 x USB 2.0 type A + 1 x Mini-PCle + 1 x SIM slot (TB-528U4ME1) 2 x COM (RS-232) (TB-528C2) 1 x COM (RS-232) + 2 x USB 2.0 (TB-528C1U2) 1 x COM (RS-232) + 2 x USB 2.0 + 1 x Power Button (TB-528C1U2P1) 2 x COM (RS-232) + 1 x Mini-PCle slot + 1 x SIM slot (TB-528C2ME1) 2 x COM (RS-422/485, isolated) (TB-528C2I) 2 x CAN (TB-528CAN2) 1 x LAN + 2 x USB 2.0 type A (TB-528E1U2) 1 x LAN(25W non-isolated PoE PD) + 2 x USB 2.0 type A (TB-528NE1U2POE)* 1 x LAN(25W isolated PoE PD) + 2 x USB 2.0 type A (TB-528E1U2POE)* Backup Battery 21W/10.8V/1.95Ah(3S1P) System is only allowed to build in either I/O board TB-528 series or backup battery
Storage Space	
HDD	1 x 2.5" SATA3 HDD space
Moveable Device	1 x Micro SD card slot
Expansion	
Onboard Expansion Bus	1 x Mini-PCle slot (full size) 1 x Micro SIM slot
Display	
Display Type	
Max. Resolution	1280 x 800
Max. Color	16.2M
Luminance (cd/m ²)	1000
View Angle	170(H) / 170(V)
Contrast	1300:1
Backlight Lifetime	50,000 hrs
Touch Screen	
Type	Projected Capacitive Touch
Interface	USB
Light Transmission(%)	Projected Capacitive Touch: 90%

Power	
Power Input	DC 9~36V
Power Consumption	27W (MAX)
Mechanical	
Construction	Aluminum Die-casting Chassis
Mounting	Panel Mount, VESA 100 x 100
Dimensions (WxHxD)	285 x 189 x 48.9 mm
IP Rating	IP66 Compliant Front Bezel
Net Weight	2 kg
Environmental	
Operating Temperature	-20~60°C
Storage Temperature	-30~70°C
Humidity	10 to 95%@ 40°C, non-condensing
Certificate	CE/FCC Class A/UL
Operating Support	
Windows 10 IoT	

**Specifications subject to change without notice, not responsible for typographical errors.*

DIMENSION:

This is subject to change without Notice. Final Drawings Will be Provided for Approval after Order.



Drawing No.: APCW1010HB-N4-UL2-11072023-V1