

8" SVGA Fanless HMI Barebone with Intel Pentium N4200 (1.1 GHz) CPU, 4GB DDR3L RAM, Projected Capacitive touch, 9~36VDC input with adapter, Aluminum chassis. UL Certificated

MODEL: APCW08N4-UL-P-V2

FEATURES:

- 8" Industrial Compact Size Panel PC
- Flat Front Panel Touch Screen
- IP66 Compliant Front Panel
- Intel Apollo Lake N4200
- Projected Capacitive Touchscreen Support 7H Anti-scratch Surface
- DC 9~36V Wide-ranging Power Input
- High Brightness 1,000nits for option



SPECIFICATION:

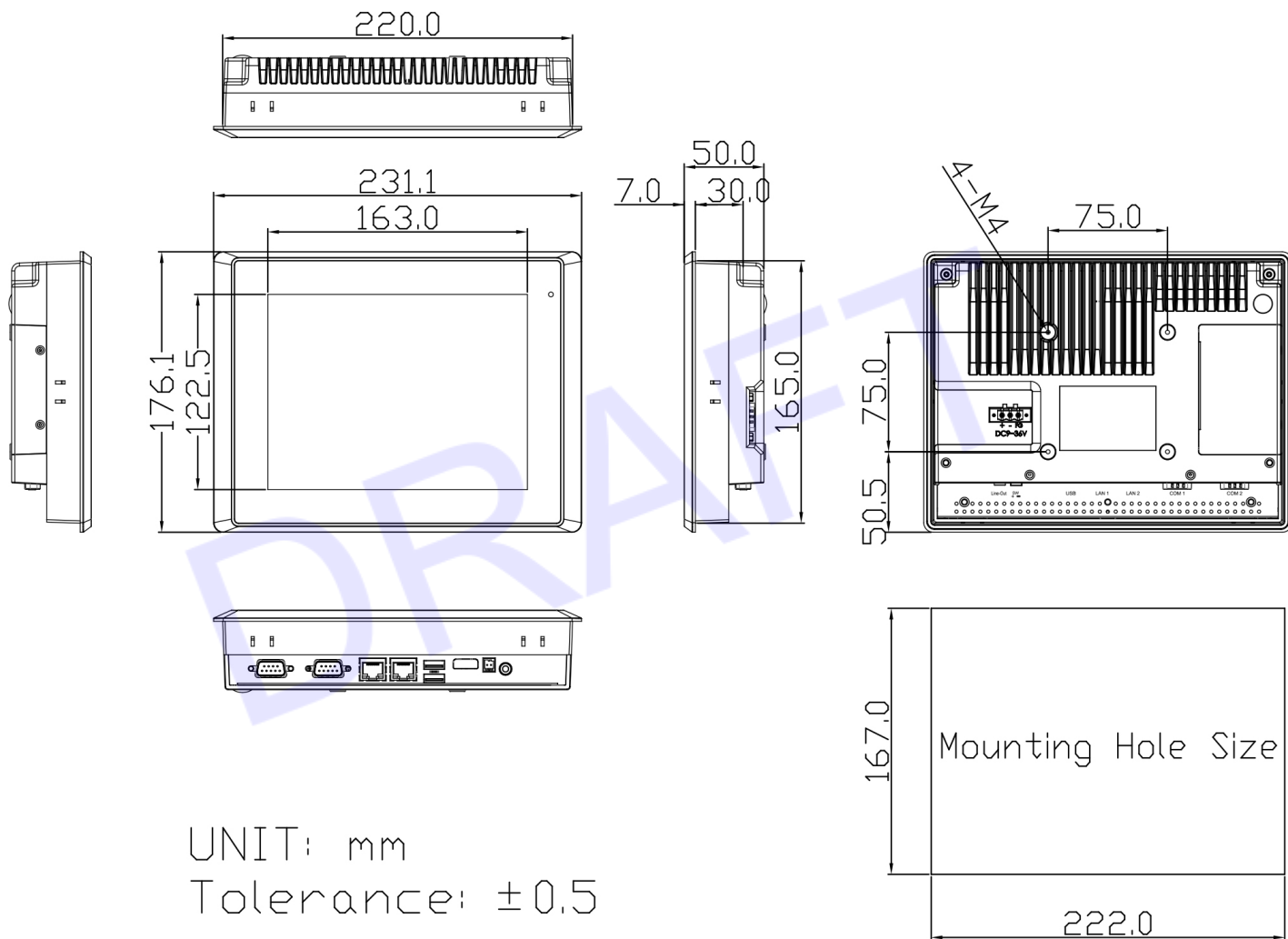
SYSTEM	
CPU	Intel Pentium N4200 Processor (2M Cache,1.1GHz)
System Chipset	SoC
Memory	4G upgrade to 8G
External IO Port	
USB	2 x USB 3.0 type A
Serial / Parallel	1 x RS-232/422/485 DB9 (COM1), default RS-232 1 x RS-232 DB9 (COM2)
LAN	2 x GbE LAN RJ-45
Audio	1 x Audio Line Out
Power	1 x 3-pin DC power input terminal 1 x 2-pin connector for power on/of
Option	VESA Stand 4G LTE/Wi-Fi/BT
STORAGE SPACE	
128G/MLC/SATA3/ 2.5"/INDUSTRIAL/TRANSCEND/TS128GSSD420K	
Expansion	
Onboard Expansion bus	1 x Mini-PCIe slot (full size) 1 x Micro SIM slot
DISPLAY	
Display Type	8" TFT-LCD
Max. Resolution	800 x 600
Max. Color	16.2M
Luminance (cd/m ²)	450
View Angle	140(H) / 130(V)
Contrast	500:1
Backlight Lifetime	40,000 hrs
TOUCHSCREEN	
Type	Projected Capacitive Touch
Interface	USB
Light Transmission(%)	90%
POWER	
Power Input	DC 9~36V
Power Consumption	28W

Construction	Aluminum die-casting chassis
Mounting	Panel Mount, VESA 75 x 75
IP Rating	IP66 Compliant Front Bezel
Dimensions	231.1 x 176.1 x 50 mm
Net Weight	1.9 kg
ENVIRONMENTAL	
Operating Temperature	-20~60°C
Storage Temperature	-30~70°C
Humidity	10 to 95% @ 40°C, non- condensing
Certificate	CE/FCCClassA/UL
OPERATING SYSTEM SUPPORT	
WINDOWS 10 IoT ENTERPRISE 2019 LTSC ENTRY EPKEA (ESD) (6EU-00036)	

**Specifications subject to change without notice, not responsible for typographical errors.*

DIMENSION:

This is subject to change without Notice. Final Drawings Will be Provided for Approval after Order.



Drawing No.: APCW08N4-UL-P-V2-09202022-V1