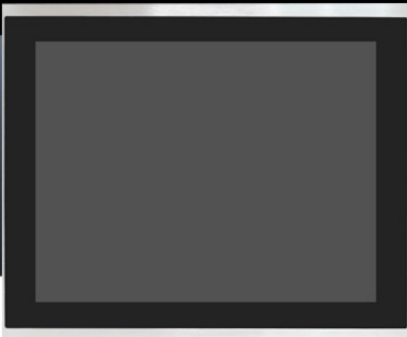


ATEX CERTIFIED STAINLESS STEEL DISPLAY LCD



15" XGA HB 1000nits, 316 Stainless Display, VGA input, external OSD Box
 Projected Capacitive touch, 9~36V DC Power input, VESA Mount, WT-20~60C
 Accessories : 1x M12 for USB touch cable, 1x VGA Cable, 1x 3pin power input
 cable (w/o Adapter)

MODEL: APC15HB-UL-P

FEATURES:

- Stainless Steel SUS 316 Construction
- Complete IP66 Grade, Equipped with M12 Waterproof Connector
- Versatile DC 9~36V Power Input Range
- Compatible with Panel Mount and VESA Mounting Options
- Projected Capacitive Touch Support
- Sleek Full Flat Bezel and Fanless Design
- Incorporates Stainless Steel OSD Function Key
- ATEX/IECEx Zone2, Zone22 and C1D2/C2D2/C3 Certified



SPECIFICATION:

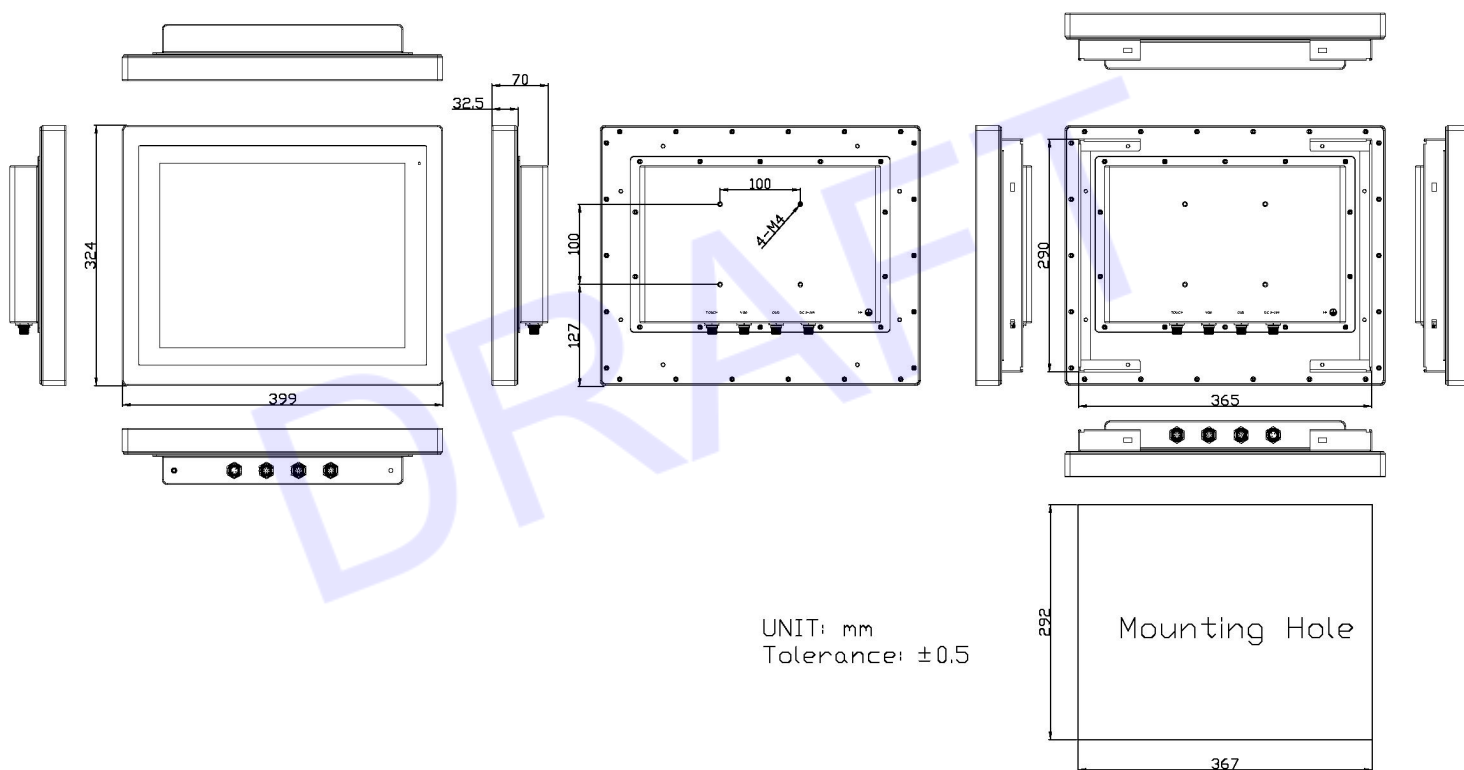
External I/O	
USB	1 x M12 8-pin for 2 x USB 2.0 for Touch Control with waterproof cover and chain
Graph	1 x M12 12-pin for VGA with waterproof cover and chain
Function Keypad	1 x M12 8-pin for OSD Cable & External OSD BOX with waterproof cover and chain
Power	1 x M12 3-pin for DC power connector with waterproof cover and chain
Display	
Display Type	15" TFT-LCD
Max. Resolution	1024 x 768
Max. Color	16.2M / 262K
Luminance (cd/m ²)	1000
View Angle	160(H) / 150(V)
Contrast	800:1
Backlight Lifetime	50,000 hrs
Touchscreen	
Type	Projected Capacitive Touch
Interface	USB
Light Transmission(%)	90%
Power	
Power Input	DC 9~36V
Power Consumption	AEx-115P: 17W
Mechanical	
Construction	316 stainless steel chassis
Mounting	VESA mount 100 x 100, Panel mount (option)
IP Rating	Total IP66
Dimensions	399 x 324 x 70 mm
Net Weight	8.5 kg

Environmental	
Operating Temperature	-20~60°C
Storage Temperature	-30~70°C
Humidity	10 to 95% @ 40°C, non-condensing
Safety	CSA C22.2 No.61010
Certificate	CE / FCC Class A ATEX / IECEx Zone2 Ex ec ic IIC T4 Gc ATEX / IECEx Zone22 Ex tc IIIC T135°C Dc Class I, Division2, Group A,B,C,D,T4 Class II, Division2, Group F,G, T135°C Class III ANSI/ISA 12.12-01-2013 CSA Std., C22 No213-1987

**Specifications subject to change without notice, not responsible for typographical errors.*

DIMENSION:

This is subject to change without Notice. Final Drawings Will be Provided for Approval after Order.



Drawing No.: APC15HB-UL-P-12112023-V1