

10.1" WXGA Fanless HMI Barebone with Intel Celeron J6412 (2.0 GHz) CPU
1x DDR4 Slot, Projected Capacitive touch,, 9~36VDC Input with Adapter,
Aluminum Chassis

MODEL: AHM1010-J

FEATURES:

- 10.1" Industrial Compact Size Panel PC
- Intel Celeron J6412 Processor
- RAM: 8GB DDR4 2133/2400/2666/3200 SO-DIMM
- Storage: TS128GMTS560T/M.2/128G/3D TLC/SATA3/2242/B+M Key/TRANSCEND/-20~75 DEGREE
- Flat Front Panel Touch Screen with IP66 Front Bezel
- Support Expansion via Full-size Mini-PCle and M.2 slots
- Support TPM2.0 Hardware Security
- DC 9~36V Wide Range Power Input
- High Brightness: 1000 nits (support -20~60C)
- OS: Linux



SPECIFICATION:

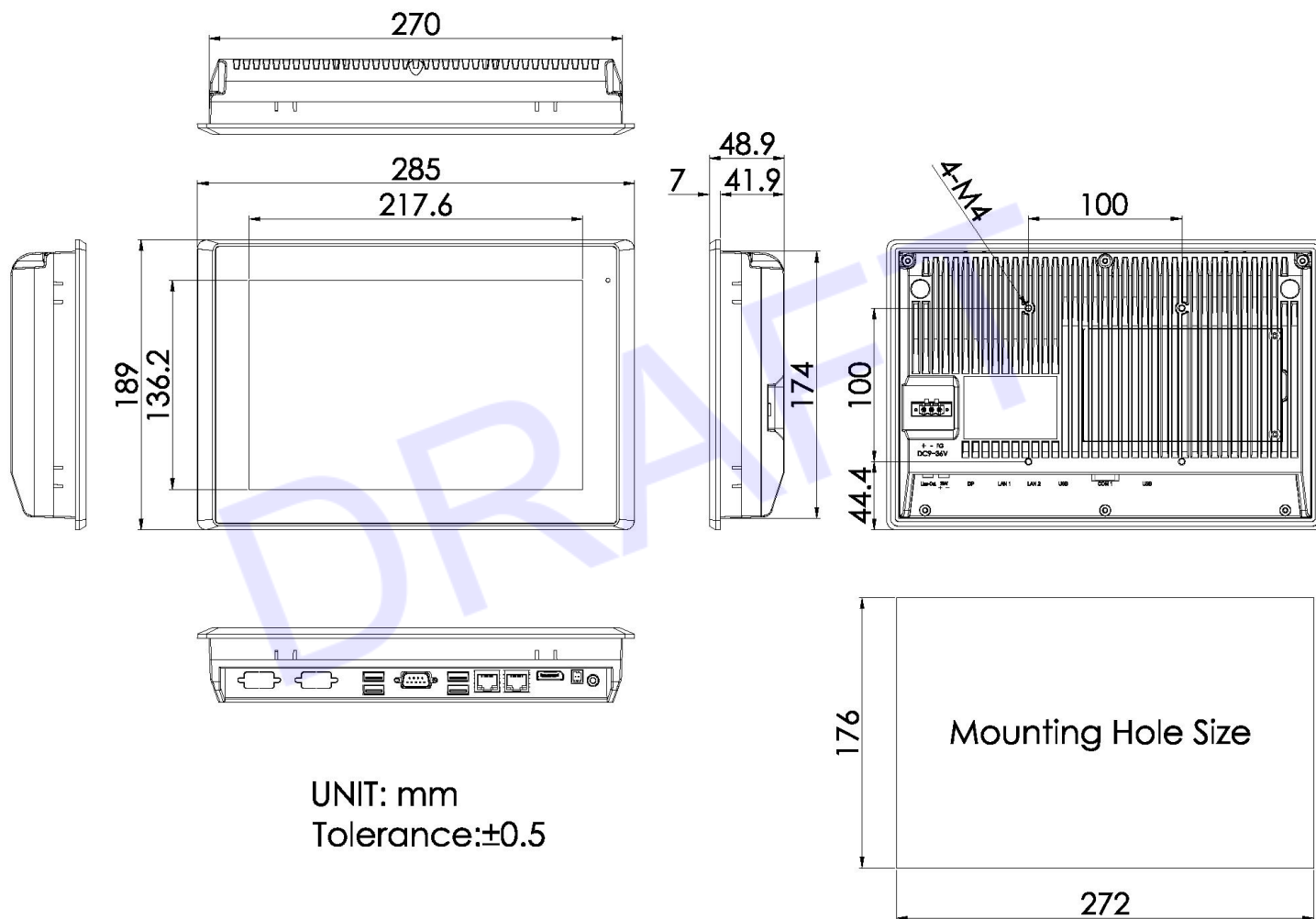
System	
CPU	Intel Celeron J6412 Processor (2.0 GHz, 1.5MB L2 cache)
System Chipset	SoC
Memory	1 x 260-pin SO-DIMM up to 32GB DDR4 3200MHz
I/O Port	
TPM	TPM 2.0
USB	2 x USB 3.2 Gen2 type A 2 x USB 2.0 type A
Serial / Parallel	1 x RS-232/422/485 (Default RS-232; select via BIOS)
Audio	1 x Audio Line Out
LAN	2 x 2.5GbE LAN RJ-45
DP	1 x DP, support DP++
Power	1 x 3-pin Terminal Block Connector 1 x 2-pin Power Switch Connector
Option	VESA Stand 4G LTE/WiFi/BT 4 x USB 2.0 type A (TB-528U4) 4 x USB 2.0 type A + 1 x Mini-PCle + 1 x SIM slot (TB-528U4ME1) 2 x COM (RS-232) (TB-528C2) 1 x COM (RS-232) + 2 x USB 2.0 (TB-528C1U2) 1 x COM (RS-232) + 2 x USB 2.0 + 1 x Power Button (TB-528C1U2P1) 2 x COM (RS-232) + 1 x Mini-PCle slot + 1 x SIM slot (TB-528C2ME1) 2 x COM (RS-422/485, isolated) (TB-528C2I) 2 x CAN (TB-528CAN2) 1 x LAN + 2 x USB 2.0 type A (TB-528E1U2) 1 x 2W Speaker 1 x Auto Dimming *TB-528 series, speaker only be in either one
Storage Space	
Storage	1 x M.2 B-Key slot (Support SATA3; 2242/2280, Default 2242)
Expansion	
Onboard Expansion Bus	1 x Mini-PCle slot (full size) 1 x M.2 E-key 1 x Nano SIM Card Holder
Display	
Display Type	High Brightness 10.1" TFT-LCD
Max. Resolution	1280 x 800
Max. Color	16.2M
Luminance (cd/m ²)	1000
View Angle	170(H) / 170(V)
Contrast	1300:1
Backlight Lifetime	50,000 hrs
Touch Screen	
Type	Projected Capacitive Touch
Interface	USB
Light Transmission(%)	Projected Capacitive Touch: 90%

Power	
Power Input	DC 9~36V
Power Consumption	TBD
Mechanical	
Construction	Aluminum Die-casting Chassis
Mounting	Panel Mount, VESA 100 x 100
Dimensions (WxHxD)	285 x 189 x 48.9 mm
IP Rating	IP66 Compliant Front Bezel
Net Weight	TBD
Environmental	
Operating Temperature	-20~60°C
Storage Temperature	-30~70°C
Humidity	10 to 95%@ 40°C, non-condensing
Certificate	Meet CE/FCC class A
Operating Support	
Windows 10 IoT, Windows 11	

**Specifications subject to change without notice, not responsible for typographical errors.*

DIMENSION:

This is subject to change without Notice. Final Drawings Will be Provided for Approval after Order.



Drawing No.: AHM1010-J-10032023-V1