

# 2U MILITARY GRADE SINGLE SLIDE RUGGED RACKMOUNT LCD KEYBOARD DRAWER

Screen: 17.3" FHD TFT LCD -1920x1080 , Brightness : 400 nits (Typ) View angle : 160(H)/140(V) Contrast ratio : 600 : 1 (Typ) Color : 16.7 M colors, Input Device : 81 keys backlight plastic membrane keyboard with 5 levels brightness adjustable, TouchPad Keyboard, USB input Power input : 110-220VAC input Tempered glass to protect screen 20" deep. Design to meet: MIL-STD-810G Wide temperature 0-60C, Vibration & Shock with 16-ports combo RGB15pin + USB KVM, included KVM cables 6ft long

NOTE: Switching between computers via "Hot-keys".  
No front panel LED indicator nor front panel membrane switch button.



## Model: BMil21730-16e

The BMIL21730-16e only occupies a fraction of the space of traditional monitor and keyboard units, the installation of the BMIL leaves ample room for other critical components. The monitor keyboard unit has a built-in slide rail and mounts easily into any 19" rackmount cabinet.

The BMIL21730-16e is a 2U rack mount monitor drawer with a full HD 17.3" monitor, keyboard, and touchpad. The LCD is built into the cover and the keyboard and touchpad are built into the base, allowing you to independently use the monitor or keyboard thanks to the rail system.

### FEATURES:

- Built-in rails to meet the flexible use needed
- Mechanism meets EIA/ECA-310- 19" Rackmount 2U, depth: 500mm
- Cabinet mounting: with fixed rear extend holder up to 600mm (Std) with Jonathan rails up to 600mm (Options)
- Touch Panel ( Optional)

### SPECIFICATIONS:

<b>Ports</b>	16-ports Combo RGB15pin + USB KVM
<b>Weight</b>	38 lbs
<b>Dimensions</b>	482.60 x 88.9x 500 mm (19"x 3.5"x 19.7")
<b>Power Supply</b>	110-220VAC input
<b>Construction</b>	Heavy Duty Steel Frame
<b>Keyboard</b>	81-backlight keys with 5 levels of adjustable brightness
<b>Pointing Device</b>	Touchpad Keyboard
<b>Protection</b>	Tempered glass
<b>Approvals</b>	CE, FCC, UL, RoHS
<b>Display</b>	
<b>Size</b>	17.3" FHD TFT LCD
<b>Resolution</b>	1920x1080
<b>Brightness</b>	400 nits (Typ)
<b>Contrast Ratio</b>	600 : 1 (Typ)
<b>Viewing Angles</b>	160(H)/140(V)
<b>Display Colors</b>	16.7 M colors

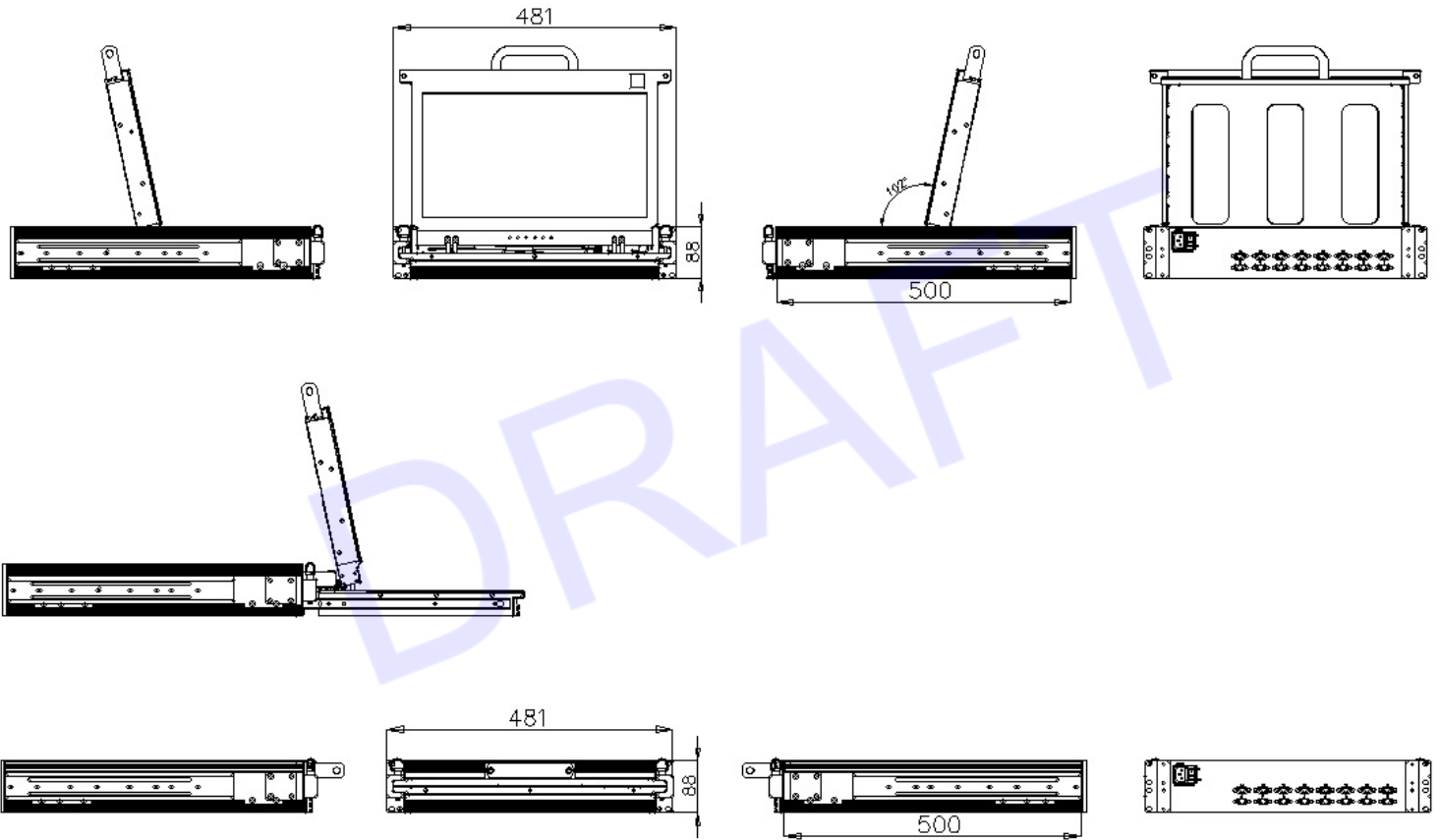
\*Specifications subject to change without notice, not responsible for typographical errors.

### DESIGNED to MEET:

- Temperature, MIL-STD-810G, Method 501.5, Procedure II (0 ~ +60C)
- Temperature, MIL-STD-810G, Method 501.5, Procedure I (-20 ~+80C)
- Vibration, MIL-STD-810G, Method 514.6, Procedure II , Random General vibration,
- Shock, MIL-STD-810G, Method 516.6, Procedure II , Saw tooth wave, 20G/11ms,

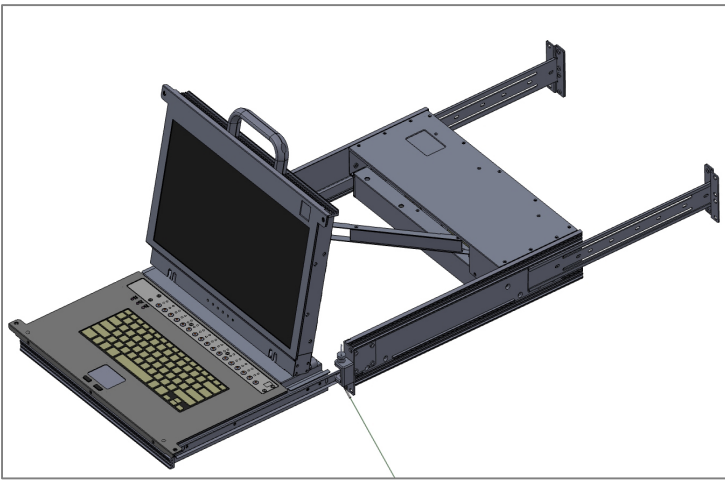
# MECHANICAL DRAWINGS:

This is subject to change without Notice. Final Drawings Will be Provided for Approval after Order.

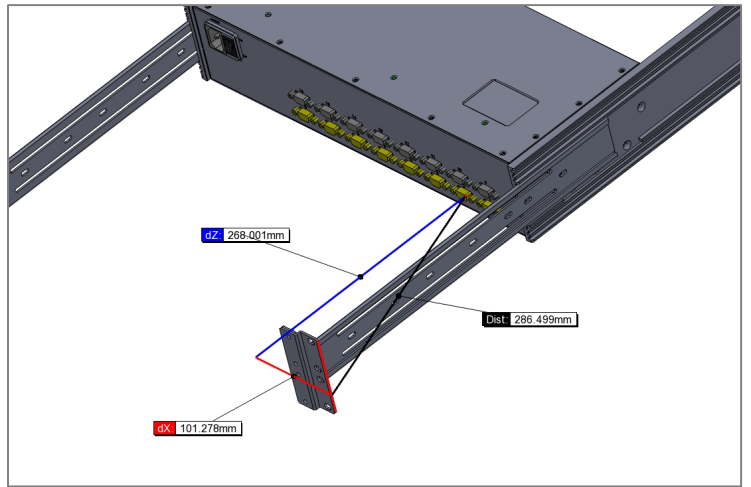


Drawing No.: BMil21730-16e-07202021-V1

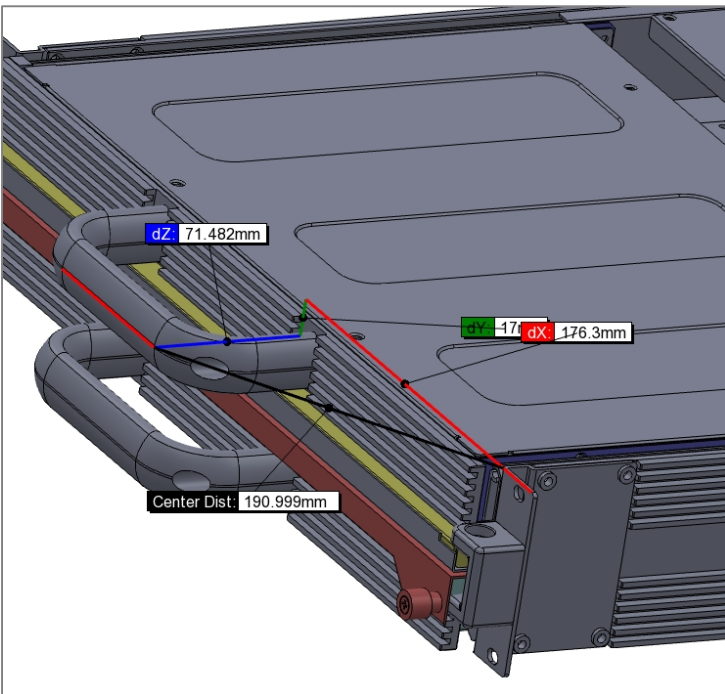




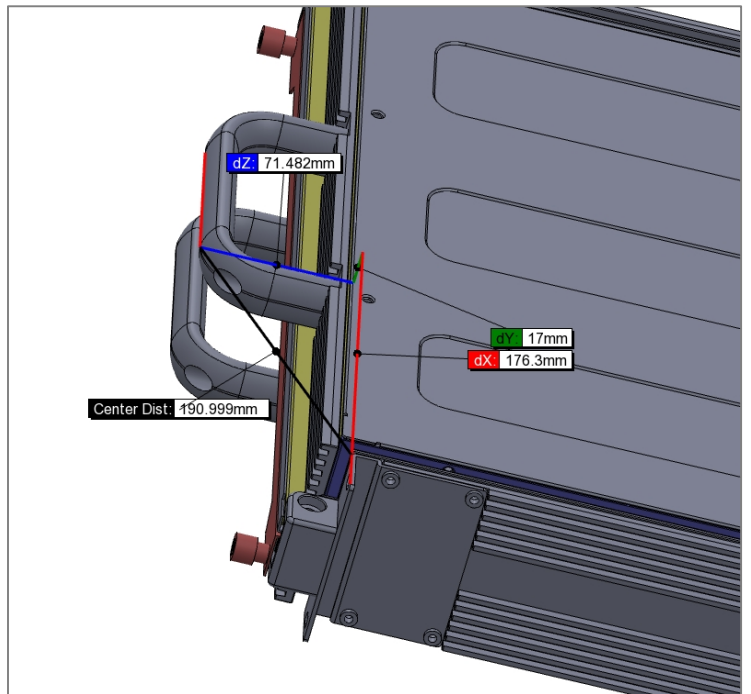
(1.)



(2.)



(3.)



(4.)

The image found in (3) and (4) is just for reference for the width of the unit.

The actual unit is shown in image (1).