

BHK Series

2U DUAL-SCREEN RACK MOUNT DISPLAYS

2U Rackmount Dual 2x 17.3" LCD 1920x1080 integrated with 101-key pull out backlit keyboard and Touchpad, Analog VGA, DVI-D, Display Port for each Display

Note: Custom 24" Rail Version

Model: BHK2DW117e-24R



This compact 2U rackmount display drawer is perfectly suited for military transit case applications and command & control centers. Featuring a secure all-aluminum monitor mounting and stabilization design, it is essential for robust government & defense, communications, and industrial automation applications. Additionally, it is tailored for server room use.

FEATURES

- Two 17.3" 1920x1080 Screens for a combined 3840x1080 Resolution
- 2U Rack Mount, 24" Deep
- Independent Display Controllers
- Auxiliary Pass Through USB



SPECIFICATIONS

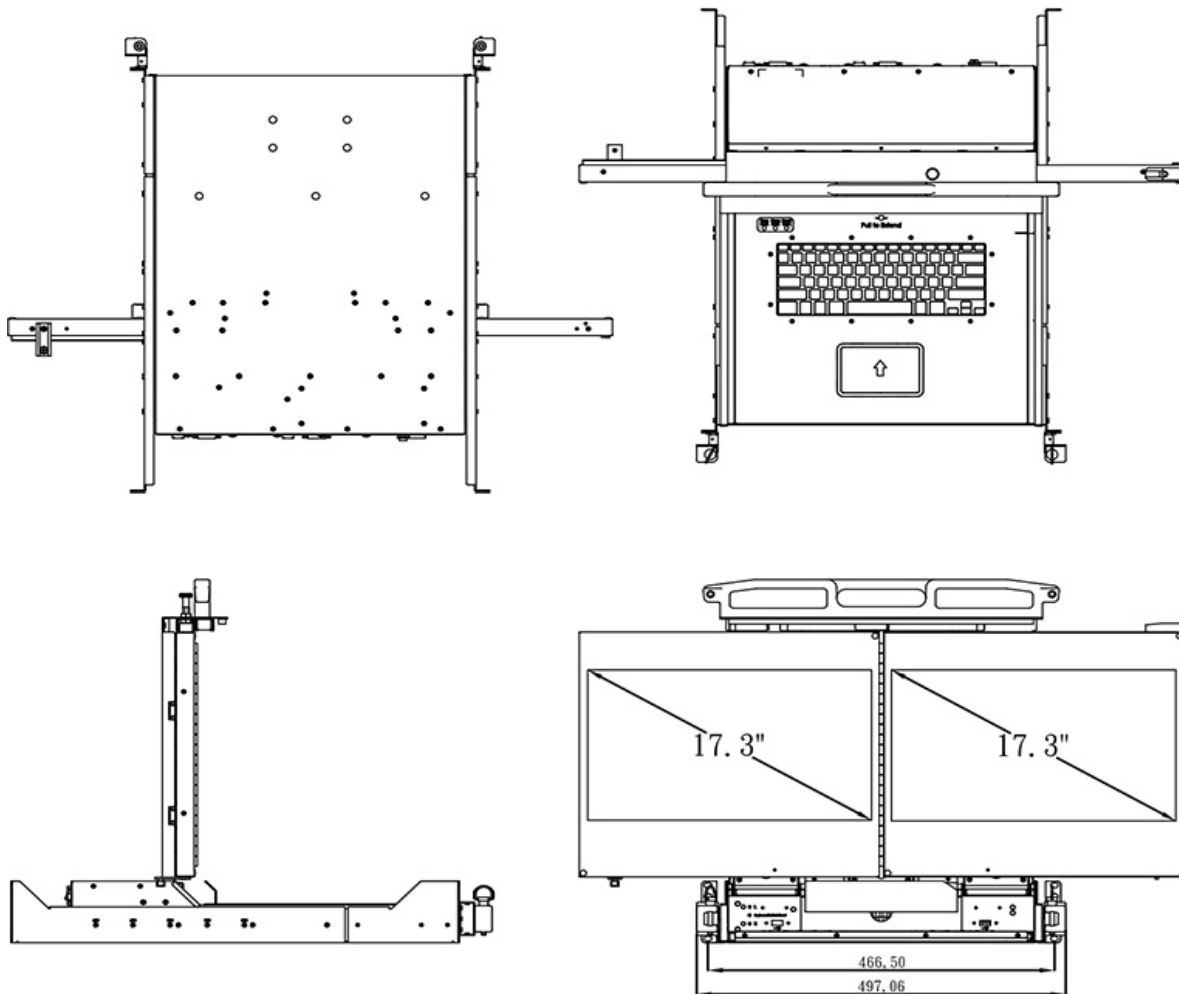
Display	2x 17.3", 16:9 Display 1920x1080
Display Deployment	Displays rotate up from stowed position, rotate & open via butterfly action and slide
Display Tilt	Displays tilt ~10° from vertical for optimal operator positioning
Signal Inputs	Analog VGA, DVI-D, Display port for each display
Display Adjustments	Individual brightness, contrast, color temperature adjustments
USB Pass Through	Internal USB 2.0 hub with 2x inputs on the front panel and a single USB 2.0 on the rear
Keyboard	101-key pull out backlit keyboard
Pointing Device	Resistive touchpad
Input Power	115/230 VAC, 50/60Hz, 100W Max
Internal UPS	5-minute backup, internal battery, switch over indicator
Dimensions/Weight	3.46" (2U rack height) x 17.76" W x 24" D / 38 lbs

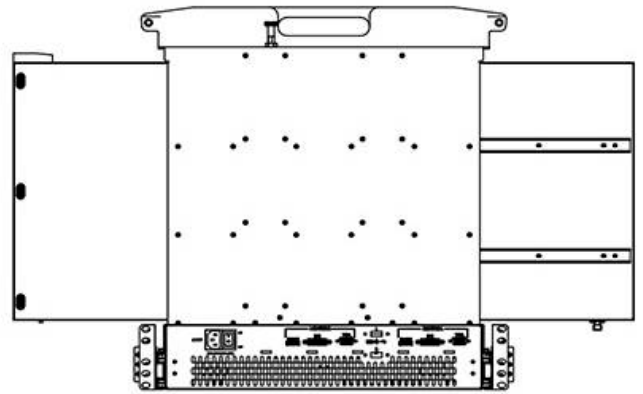
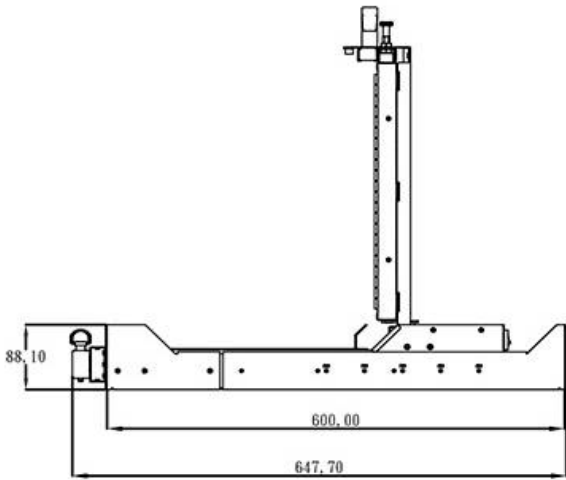
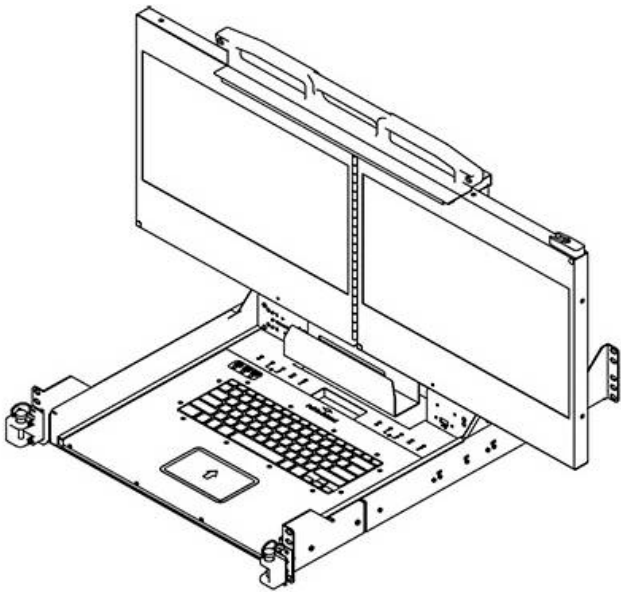
ENVIRONMENT AND SPECIFICATIONS

Temperature: MIL-STD-810E (501.4, 502.4)	Operating: 0 ~ 50°C Non-Operating: -40 ~ 70°C
Humidity: MIL-STD-810E (507.2)	Relative Humidity: 5% to 95% operating, non-condensing
Altitude: MIL-STD-810E (500.3)	Operating: 15,000 ft (4571.8 m) Non-Operating: 40,000 ft (12,192 m)
Vibration: MIL-STD-810E (514.4)	Operating: 10 to 500 Hz 1.04 g (RMS)
Shock: MIL-STD-810E (516.4)	Operating: 15 G, 8 ms 1/2 sine

MECHANICAL DRAWING

This is subject to change without Notice. Final Drawings will be provided for Approval after Order.





Drawing No.: BHK2DW117e-24R-03252024-V1

