

# Full IP67 10.4" Aluminum Enclosure LCD Display

## FEATURES:

- Total IP 67 compliant
- Front OSD
- Tough glass (6H/hard), AR coating
- Bonding process
- Optional 800 nit sunlight readable LCD solution
- DC 12V power input)



**Model: A1000HB-IP67**

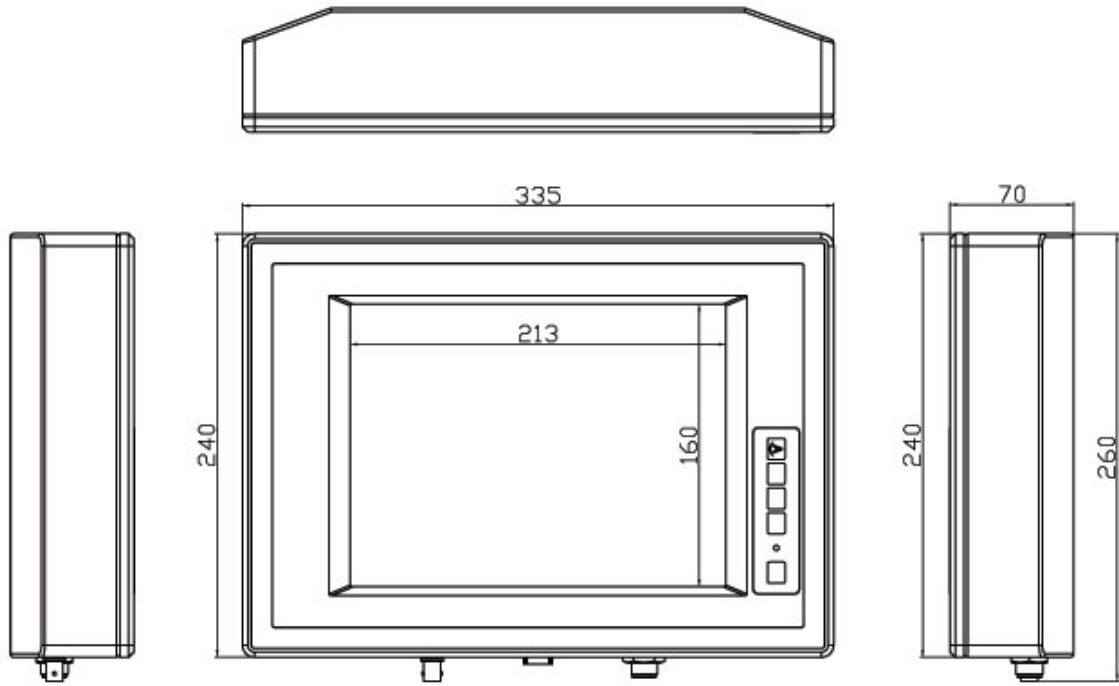
## SPECIFICATION:

<b>LCD</b>	
Display Type	10.4" TFT-LCD
Max. Resolution	800 x 600
Max. Colors	262K
Brightness	1000
Viewing Angle	H:120° / V :100°
Backlight Lifetime	50,000hrs, LED backlight
<b>SYSTEM</b>	
Input Signal	RGB
On Screen Display Control	On the front side
External I/O Port	1 x VGA input 1 x BNC connector (optional) 1 x DC power input
<b>POWER SUPPLY</b>	
Power Input	DC 12V
<b>TOUCHSCREEN (for option)</b>	
Type	Optional for resistive antiglare or projected capacitive
Light Transmission	80%

<b>MECHANICAL</b>	
Construction	Aluminum front bezel and steel enclosure
IP Rating	Totally IP 67
Mounting	VESA 100x100 Mount
Dimension	335(W)x240(H)x70(D)mm
Net Weight	4.5kgs
<b>ENVIRONMENTAL</b>	
Operating Temperature	0~50 °C
Storage Temperature	-20~60 °C
Storage Humidity	10~90% @40 °C non-condensing
Certificate	Meet CE/FCC Class A



**DIMENSION:**



Unit : mm

