

# Full IP67 8" Aluminum Enclosure LCD Display

## FEATURES:

- 8" LED backlight TFT-LCD with resolution of 800x600
- DC 9~32V power input
- 5-wire resistive touch screen



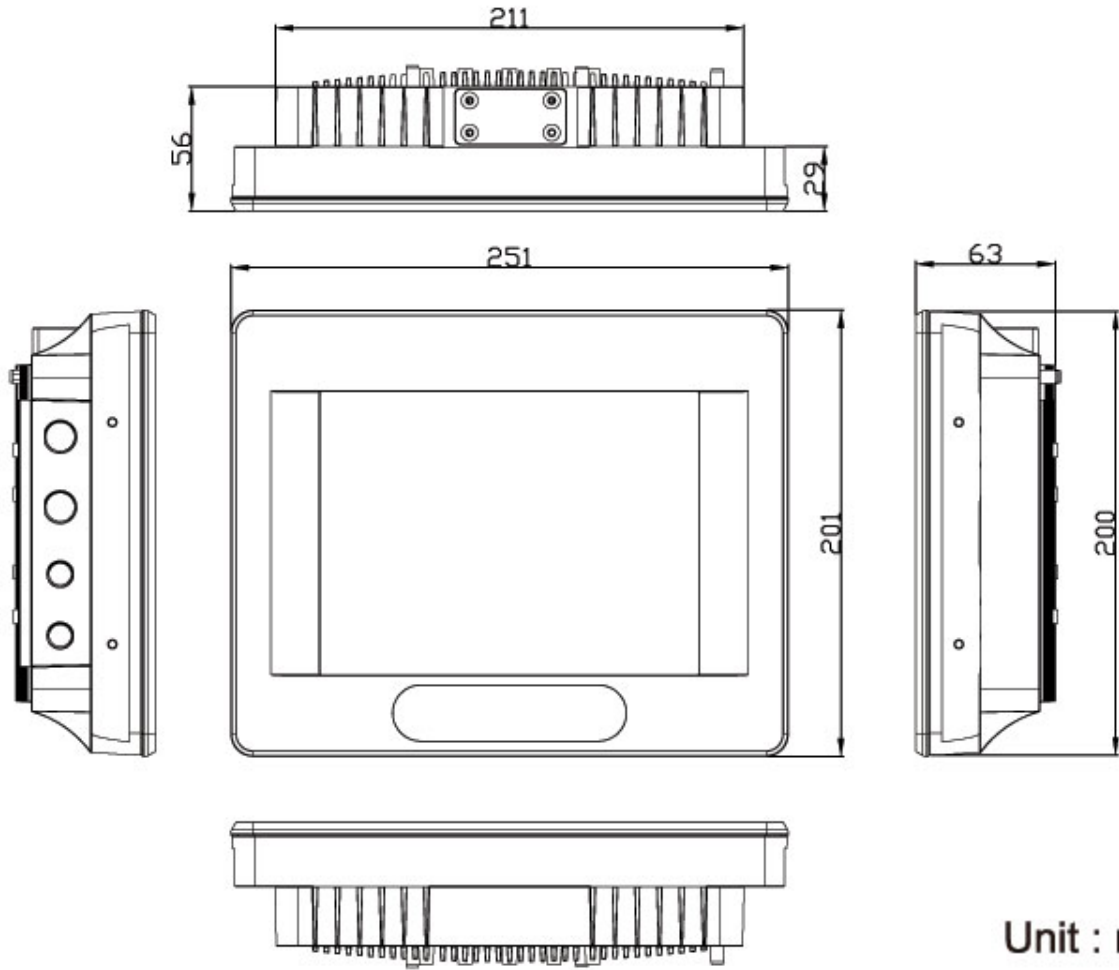
**Model: A0800-CIP**

## SPECIFICATION:

<b>LCD</b>		<b>MECHANICAL</b>	
	<b>Standard</b>	Construction	Aluminum die-casting casing / Black
Display Type	8" LED Backlight LCD	IP Rating	Totally IP 67 rating
Max. Resolution	800x600	Mounting	VESA 75x75 Mount
Max. Color	262K	Dimension	251(W)x201(H)x64(D)mm
Brightness	350	Net Weight	4.5 kgs
View Angle	H:140° / V:100°	<b>ENVIRONMENTAL</b>	
Backlight Lifetime	40,000 hrs	Operating Temperature	0~50 , -20~70 for optional
<b>TOUCHSCREEN (option)</b>		Storage Temperature	-30~70 C
Type	Resistive Type	Storage Humidity	10~90% @40 C, non-condensing
Light Transmission	80%	Certificate	Meet CE/FCC Class A
<b>POWER SUPPLY</b>			
Power Input	DC 9~32V		



**DIMENSION:**



Unit : mm

