

TRANSIT CASE, PIVOT DISPLAY DRAWER

1U Lay Flat Swivel pivots on the center axis Rackmount
19" LCD Monitor 1280x1024 Drawer VGA + HDMI+ DP, RGB
20" Deep, with Key lock and handle. Tilt Forward 20-25 Degree
Passed 90 Degree. Thumb Screw with Collapsible Handle
9 ~36 VDC Input with 6 Foot Cable provided 4 Pin MIL Connector



MODEL: DRP119S-DP-DC

The DRP Series is an high performance 1U 19" LCD display drawer. It offers monitors with high contrast ratios and wide viewing angles. The display is held open with a proprietary 60 lb pivoting heavy-duty torque hinge, giving it a range of motion from 0 - 120 Degs from closed. The display pivots up to 60 Degs along the monitors center axis. This gives the user 3 directionalities of freedom, allowing the DRP119S-DP to be adjusted to almost any position.

FEATURES:

- Rugged All Aluminum Construction
- Customizable Modular Design
- Transit Case Ready
- Pivoting Display Drawer
- Mil Spec Friction Rails
- Held Closed By Key Cam Lock or Thumb Screws
- Intergrated Slides With Mounting Brackets

VIDEO CONTROLLERS:

V23X Embedded Controller

Max Resolution: 1920 x 1200
Input Options Available: VGA, DVI, HDMI
Audio: Optional

V25X Embedded Controller

Max Resolution: 1920 x 1200
Input Options Available: VGA, DVI,
Audio: Optional

V33X Controller

Max Resolution: 1920 x 1200
Input Options Available: VGA, HDMI, Display Port

LCD DETAILS:

- **SXGA 1280 x 1024** (Max Res)
- **19" LED Backlit LCD**
- **Viewing Angles: 89/89/89/89**
- **Contrast Ratio: 1000:1**
- **Brightness: 700 NITS**
- **Response Time: 12.5ms**
- **Operational Temp: 0-50c**

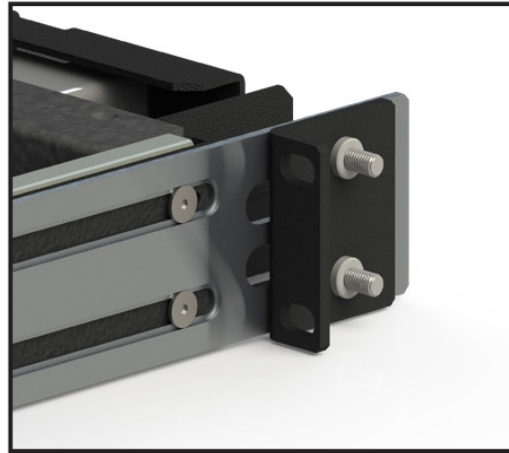
**Specifications subject to change without notice, not responsible for typographical errors.*

FRONT FACE

Thumbscrew with 5" Collapsible Handle

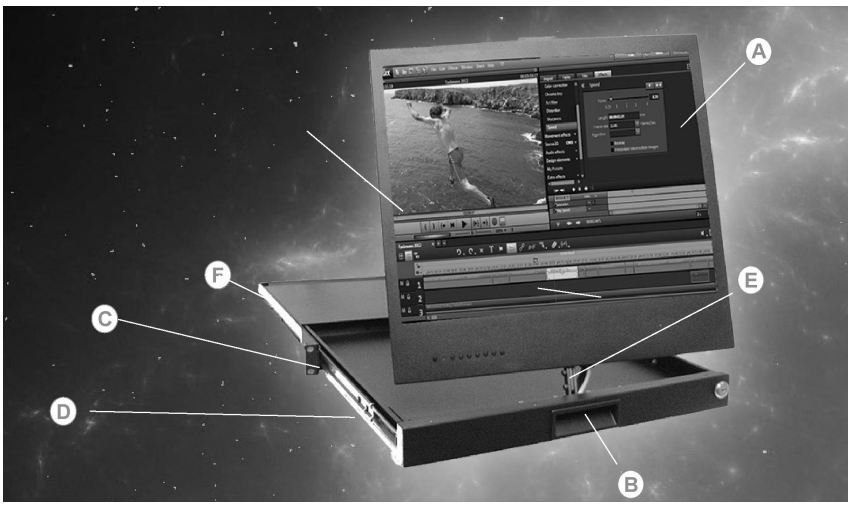


TRANSIT CASE ARMS



SPECIFICATIONS

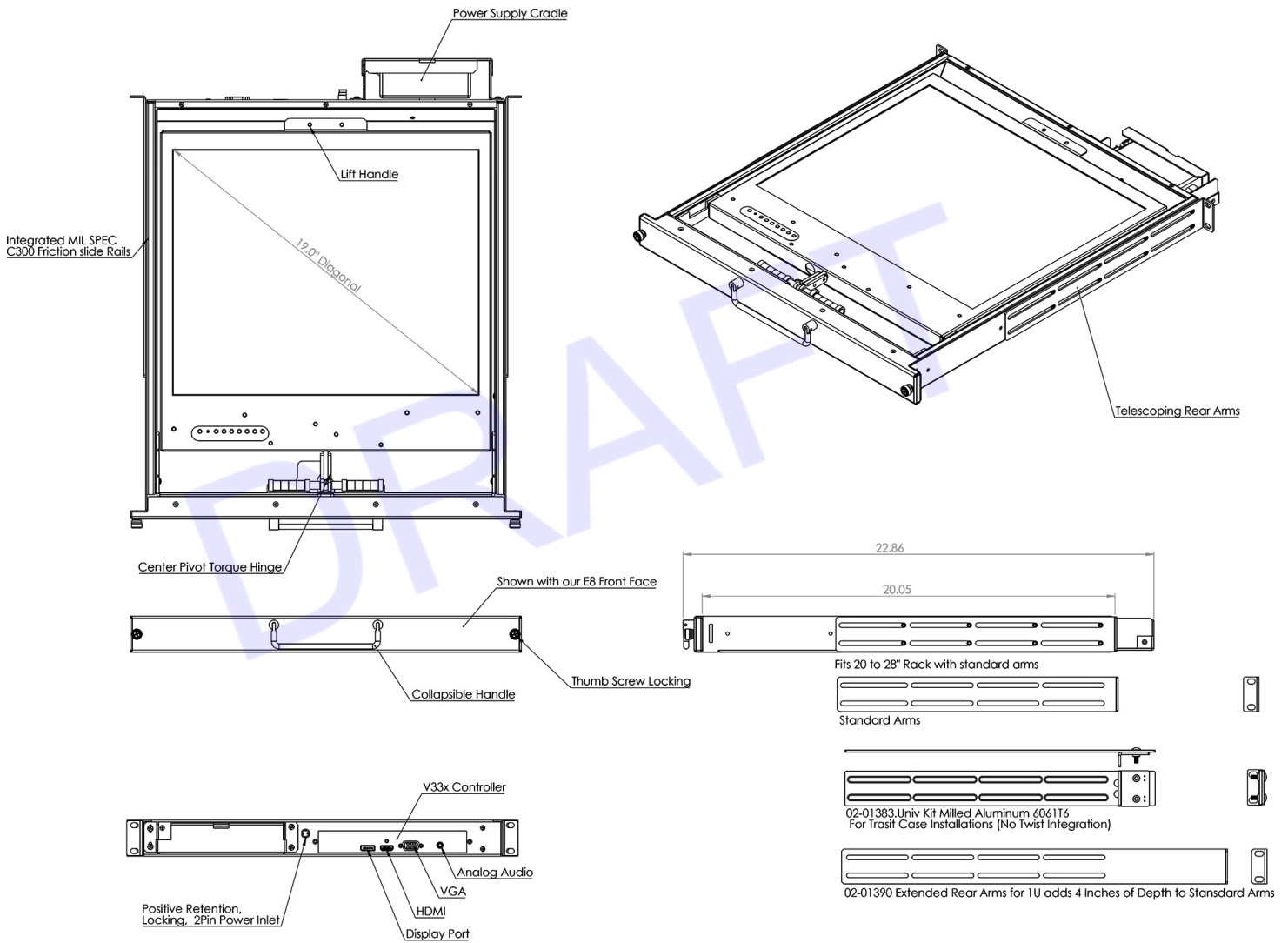
Dimensions: 19" W x 1.75" H x 20" D min.
Weight: 35
Power Consumption: 35W



- A. LED Backlit LCD**
17.3" and 19" both available in High Bright
- B. Front Face**
Options include handles, speakers, locks, and thumbscrews
- C. Integrated Slides**
Military Grade Friction Slides add infinite stopping positions
- D. Friction Rails**
Designed to Military Specification
- E. Heavy Duty Torque Hinge**
60 lb resistance, 120 degree range of motion
- F. Transit Case Arms**

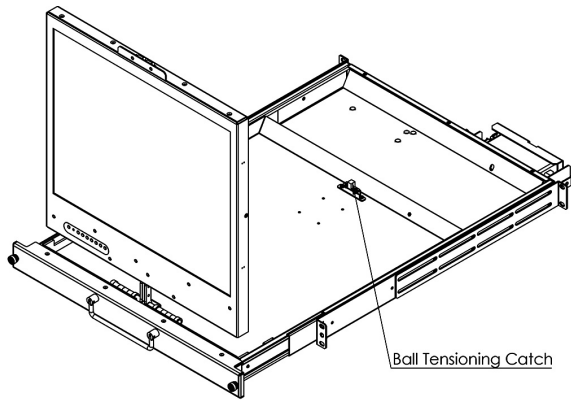
DIMENSIONAL DRAWINGS

This is subject to change without Notice. Final Drawings Will be Provided for Approval after Order.

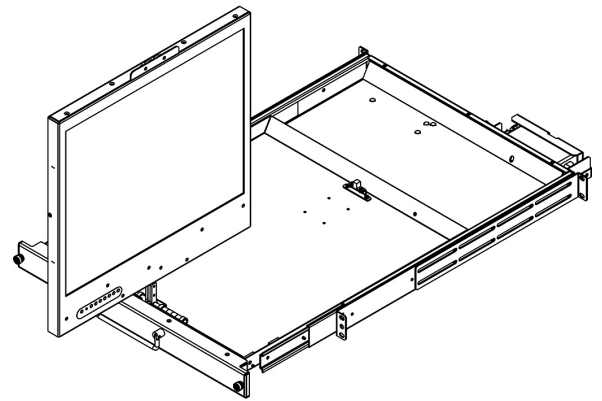


Drawing no.: DRP119S-DP-DC-07252023-V1

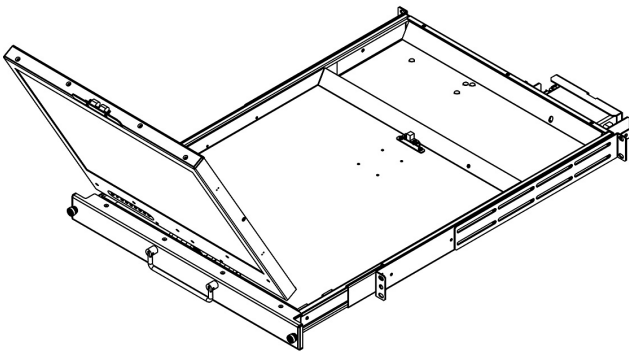
DIMENSIONAL DRAWINGS



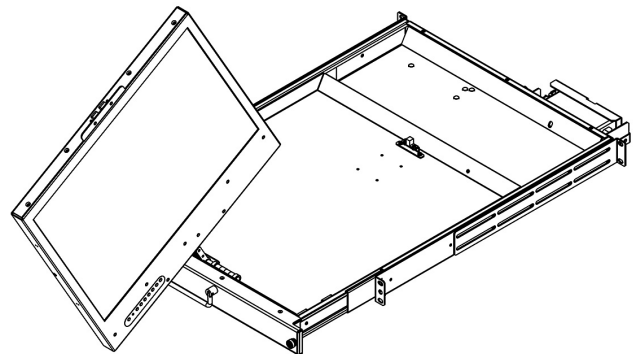
Deployed , Straight Up



Deployed , 90 Deg Center Pivot



Deployed , 120 Deg From Stowed Position



Deployed , 120 Deg From Stowed Position, and 90 Deg Center Pivot