

PIVOT DISPLAY DRAWER



1U Lay Flat Swivel Center Pivots on the center axis Rackmount
19" LCD Monitor 1280x1024 Drawer 20" deep chassis, Transit Style
with Mil Spec Rails Video Input HDMI x4, Display Port x1, Multiview
Controller, with PIP, PBP, Quad View, Thumb Screws, Colapsable Handle

Model: DRP119S-AT1



The unique design of the DRP (Pivot Display Drawer) is just that, It pivots. The drawer starts out laying flat and put away in its 1U drawer. When needed the monitor slides out and the display portion of the monitor rotates up. You can adjust the monitor in almost any position from 0 to 119 Degrees. The Heavy-Duty Torque hinge holds it in place. The display Pivots up to 60 Degs along the monitors center axis. This gives the user 3 degrees of freedom.

Integrated slides along with adjustable mounting brackets allow installation in any standard 19" Rack enclosure. The drawer is held closed with a keyed cam lock.

The Standard Finish is Black Powder Coated Lite Texture, but it can be customized to any color or logo.

Enclosure

- Mounts in standard 19-inch rack cabinets 20" depths
- Utilizes only 1RU (1.75")
- RSI Design (Rapid Start Installation). Installation takes Less than 5 minutes!
- Rugged all metal construction designed to satisfy Industrial, Commercial and Military requirements
- Compact enclosure for rackmount applications

Display:

- 19" Diagonal Active Matrix TFT LCD Displays
- Featuring Samsung & LG Technologies
- Large Viewing Area

Video Controller:

- Standard Analog RGB, DVI-D, S-Video, and CVS inputs)
- OSD (On Screen Display) Monitor Controls

Power:

- +12 VDC Operation
- Low Power Consumption

Other Features / Options:

- Abrasion Resistant Lens Cover.



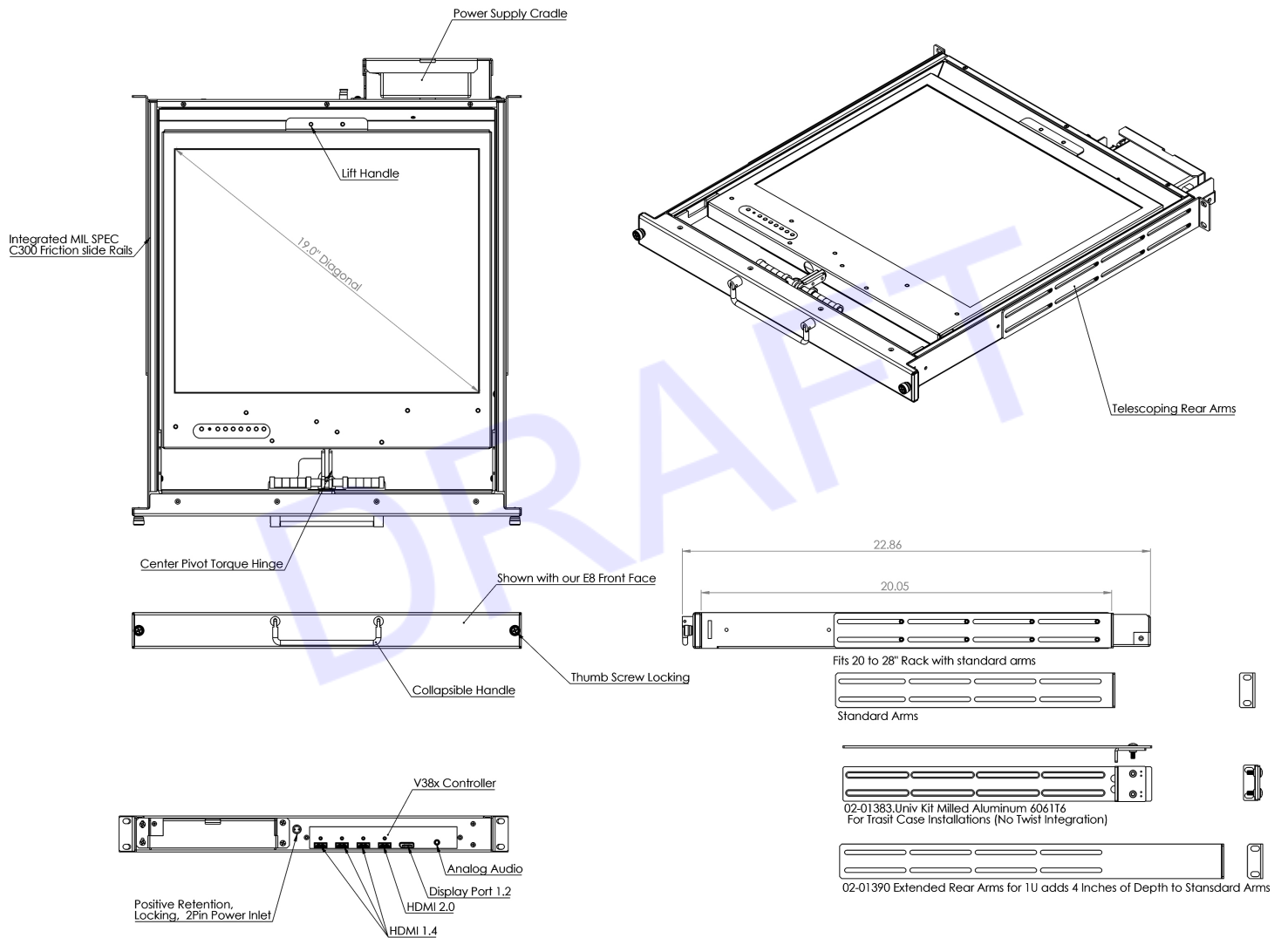
Technical Specifications:

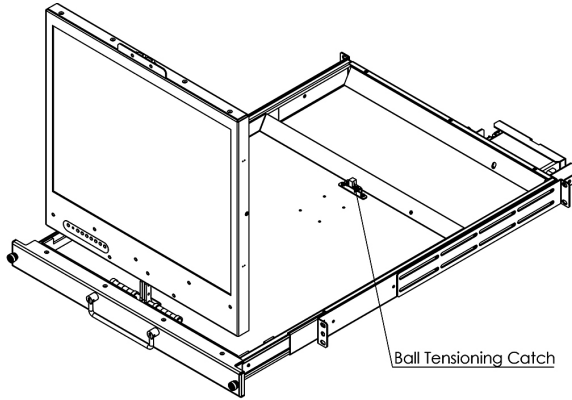
Monitor Size	19"
Display Type	SXGA, Color TFT, 6 CCFL BackLight, Extended Road Map
Max Resolution/Refresh	1280x1024
Aspect Ratio	4:3
Display Colors	16.78M
Brightness (Nits cd/m2)	300
Contrast Ratio	800:1
Response Time (Tr/Tf)(ms)	10 ms GTG (Avg. Typ) 20ms(Typ, on/off)
Pixel Pitch (HxW)(mm)	0.294 x 0.294
Power Management	EPA energy star, VESA compliance
Viewing Angle (Deg)	88/88/88/88
MTBF (Hours)	30,000-50,000
Surface Treatment	Antiglare Hard Coat
Temperature Operating (C)	0 to +55
Temperature Storage (C)	-20 to +60
Altitude Operating (Ft)	16,005
Altitude Storage (Ft)	44,880
Humidity Operating (%RH)	=<95
Humidity Storage (%RH)	=<95
Applicable iTech Controllers:	VO51, V052, V053
Video Connections:	aRGB(VGA), DVI, S-Video, CVS
Chassis/ Drawer:	
Mounting	Standard 19-inch rack
Slide Rails	Pre-integrated ball-bearing Slides with cable management guides.
Dimensions (WxHxD)	19 x 1.75 x 20-inch min. Can be installed in 20" - 36" Racks
Monitor Hinge	Heavy-duty Torque hinges to 60 lbs
Color	Black Powder coated with light texture (Custom colors available)
Weight (lbs)	32

****Specifications subject to change without notice, not responsible for typographical errors.***

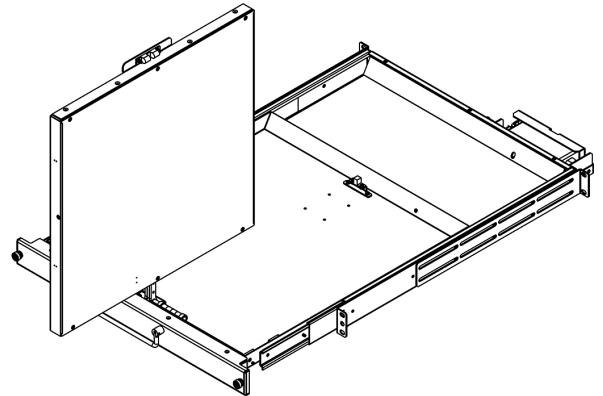
Dimensional Drawings

This is subject to change without Notice. Final Drawings Will be Provided for Approval after Order.

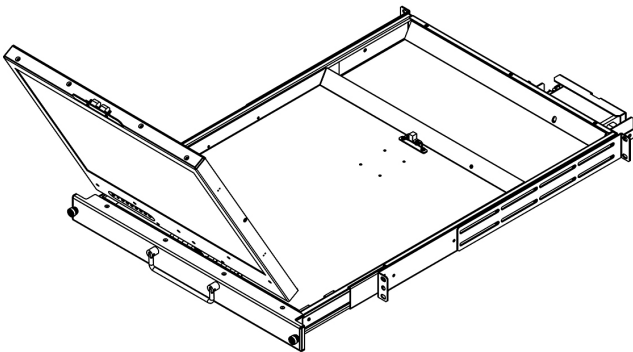




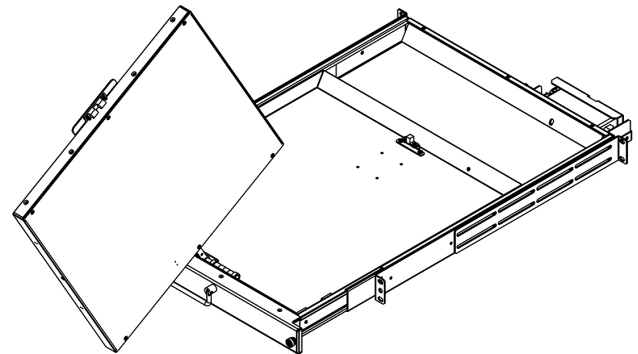
Deployed , Straight Up



Deployed , 90 Deg Center Pivot



Deployed , i20 Deg From Stowed Position



Deployed , i20 Deg From Stowed Position, and 90 Deg Center Pivot