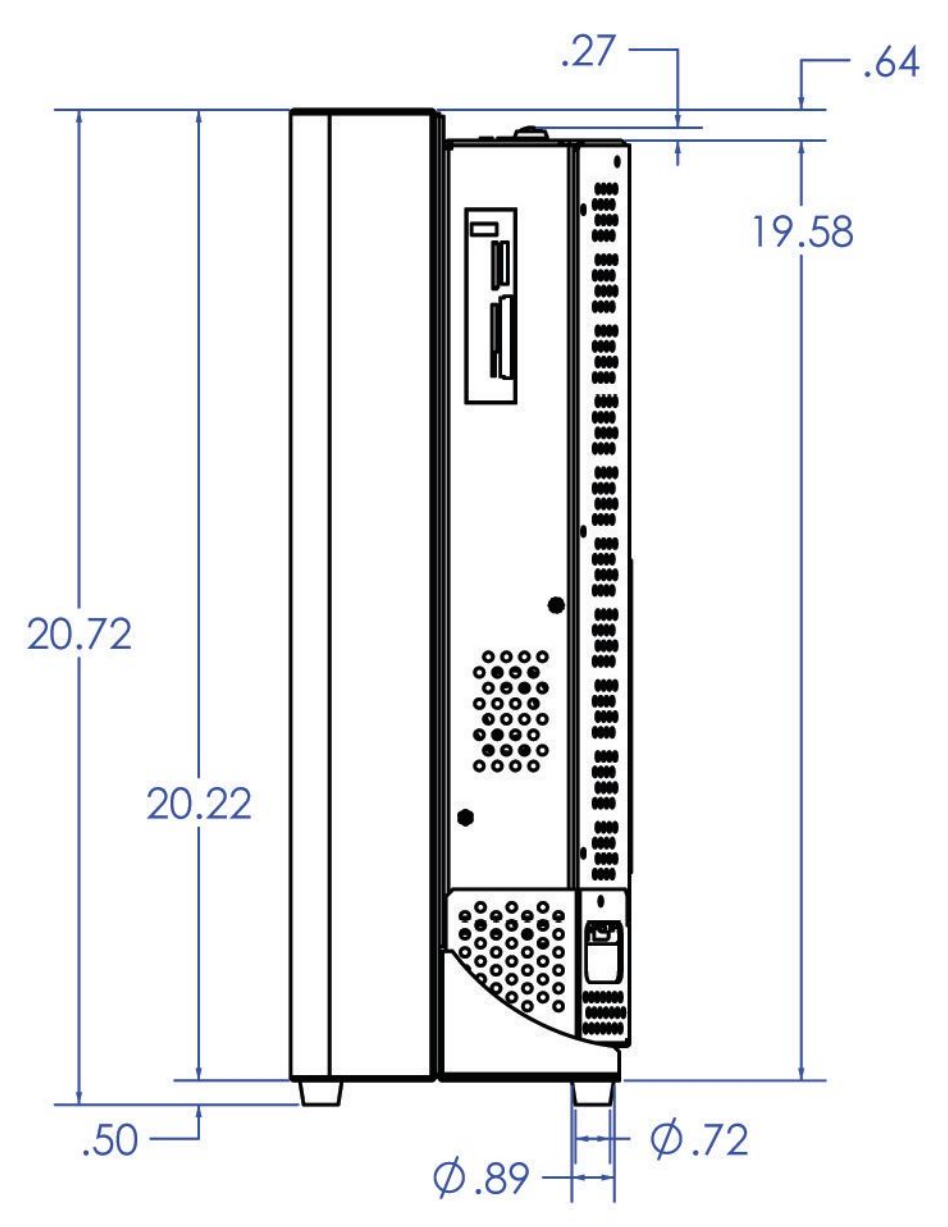
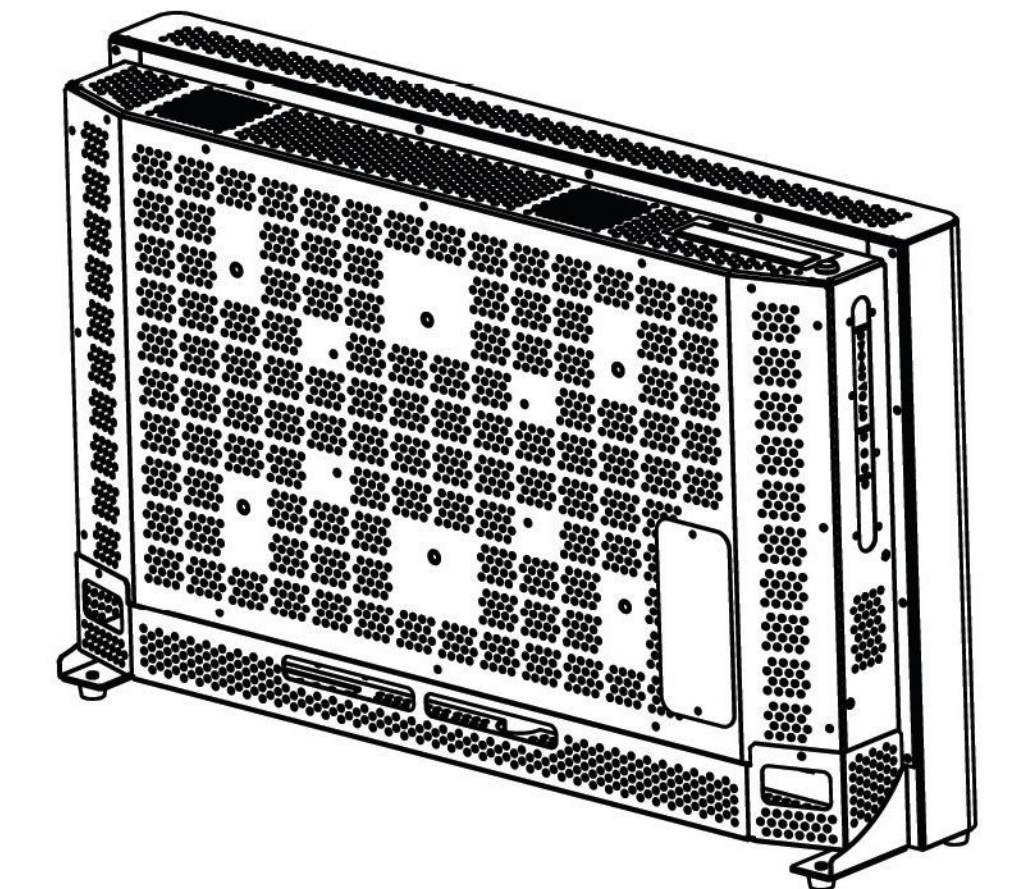
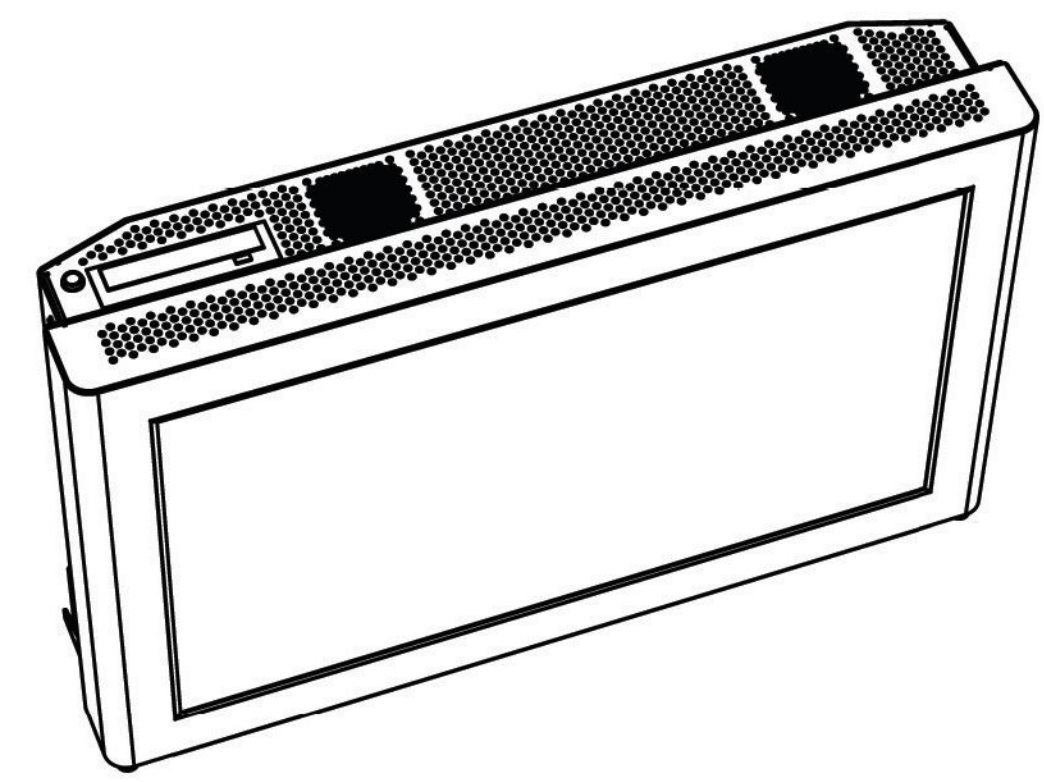
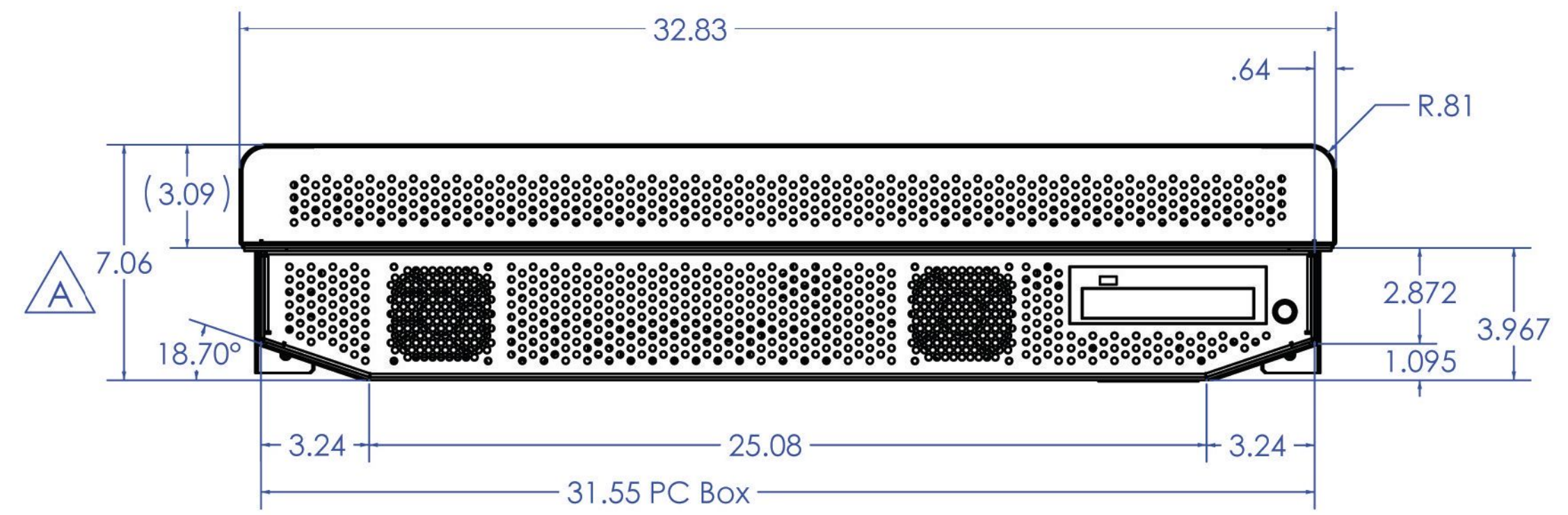


Descriptive: 32-37LBPC-2=115
BOM : CST8_0-1-LB_V6

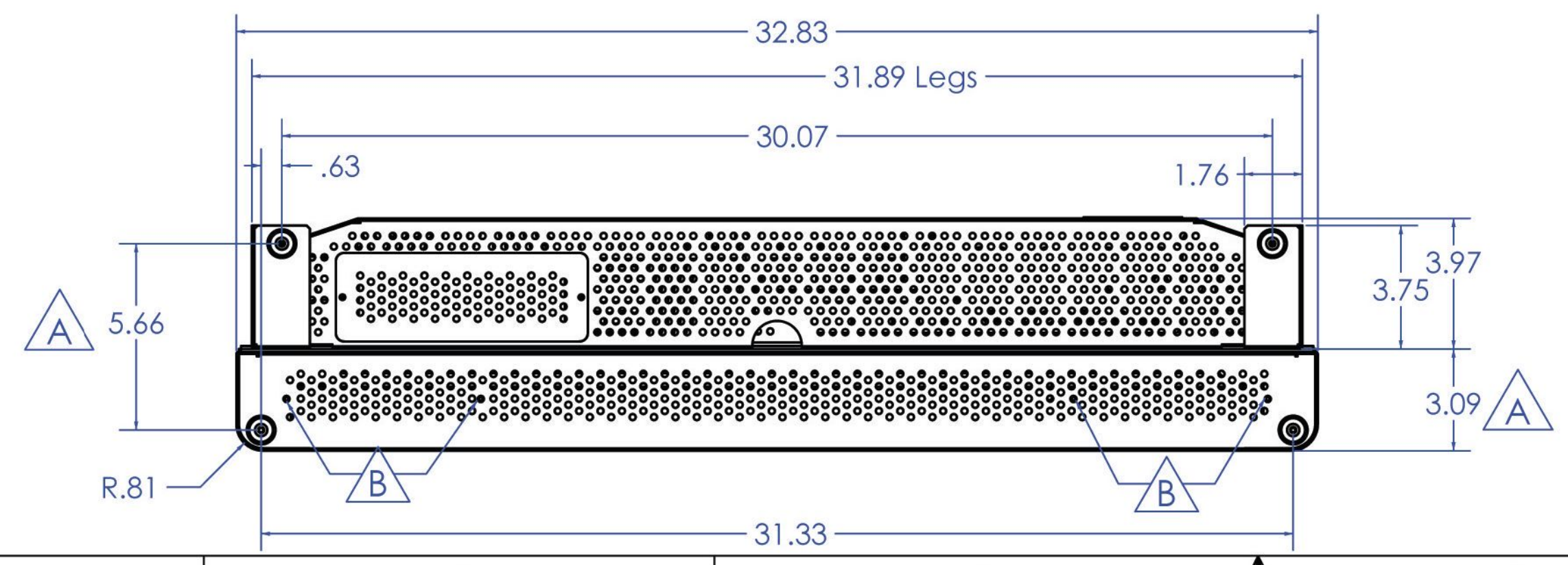
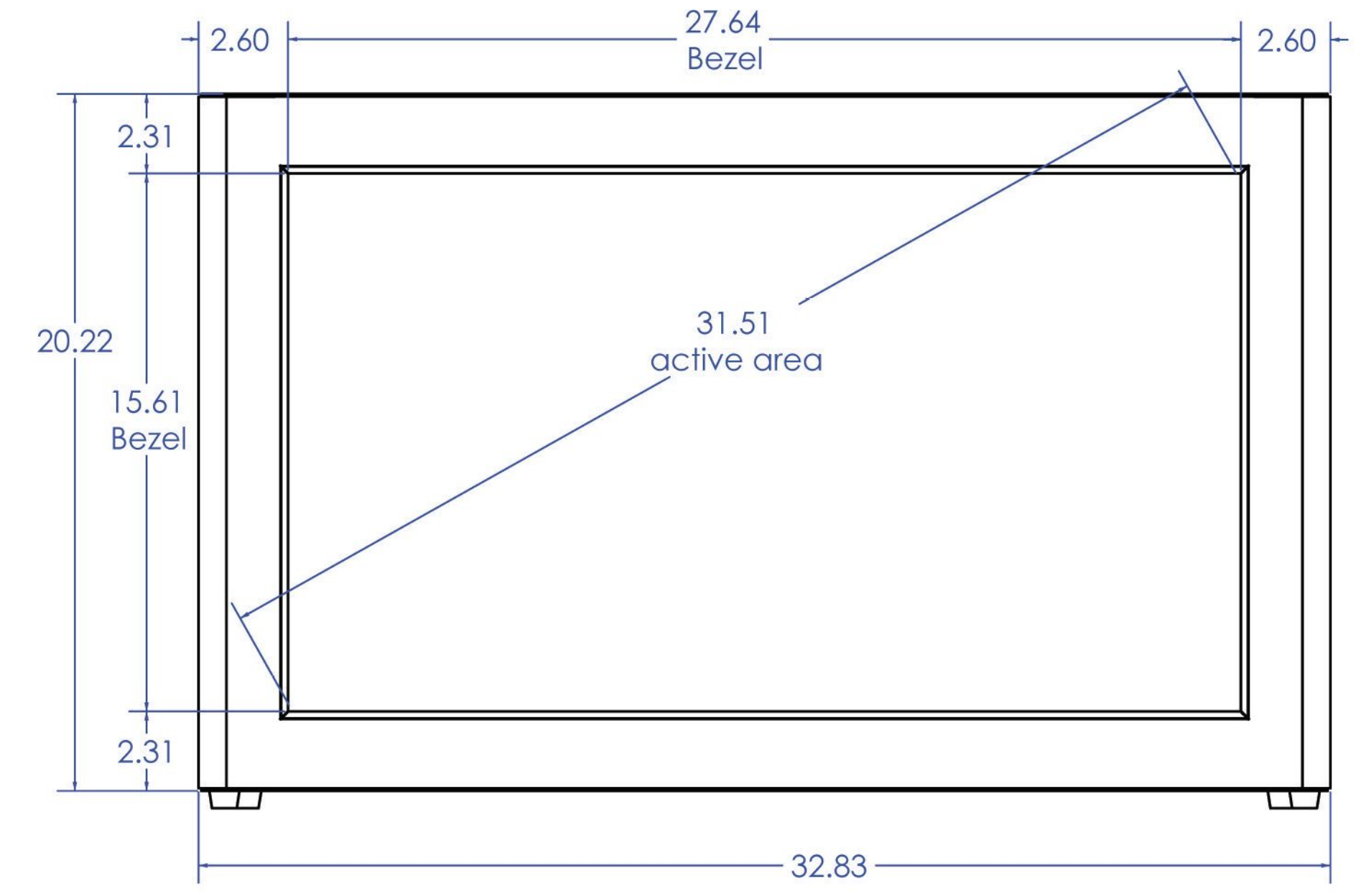
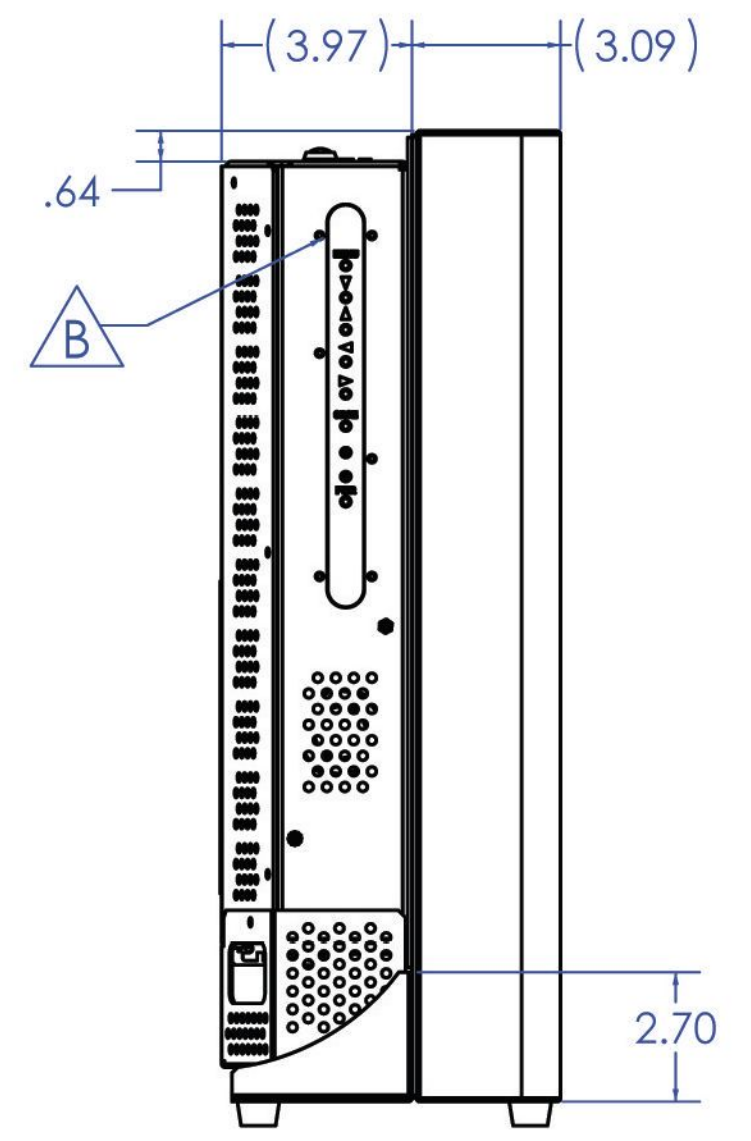
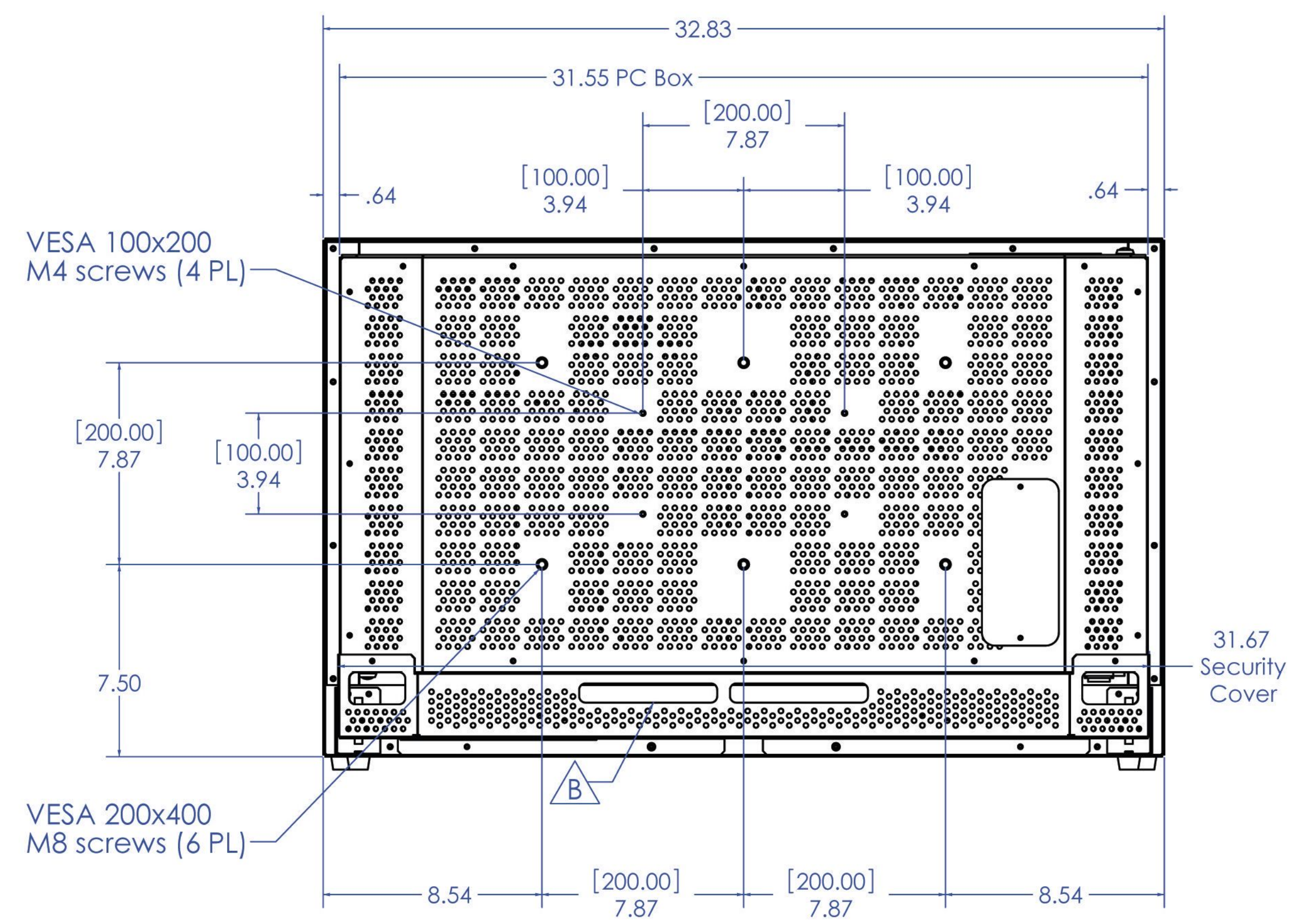
Descriptive: 32Bezel-2=112
BOM : 32ST6_1-2-BA_V2

REVISIONS				
ZONE	REV.	DESCRIPTION	DATE	APPROVED
	A	Dim 3.09 was 3.019, Dim 7.06 was 6.99, Dim 5.66 was 5.59 (added gap between Display and touch screen)	2/24/2010	
	B	Security cover: added Left window, OSD "wide" replaced with "narrow" Bezel: Bezel bottom: added [4] #6-32 PEM nuts	3/29/2010	



VESA 100x200
M4 screws (4 PL)

VESA 200x400
M8 screws (6 PL)



NO.	DESCRIPTION	DATE	NAME
1	UNLESS OTHERWISE SPECIFIED:		
2	DIMENSIONS ARE IN INCHES	DRAWN 9/8/2009	TS
3	TOLERANCES:	CHECKED	
4	FRACTIONAL ±1/16	ENG APPR:	
5	ANGULAR: MAX CHAMF. 5 BEND ±0.5	MFG APPR:	
6	TWO PLACE DECIMAL ±0.01	Q.A.	
7	THREE PLACE DECIMAL ±0.005	COMMENTS:	
8	INTERPRET GEOMETRIC TOLERANCING PER:		
9	MATERIAL:		
10	THICKNESS:		
11	FINISH:		
12	DO NOT SCALE DRAWING		

Descriptive name: [32Bezel-2=112]+[32-37LBPC-2=115]
 TOLL FREE: (888) 493-2418
 EMAIL: info@iTechLLC.com
 WEB: www.ITechnology.com
 i-Tech Company LLC
 All dim with ref parts. LB
 Part of group Display
 SIZE DWG. NO. REV
D TPC3200 **B**
 SCALE: 1:4 WEIGHT: SHEET 1 OF 3