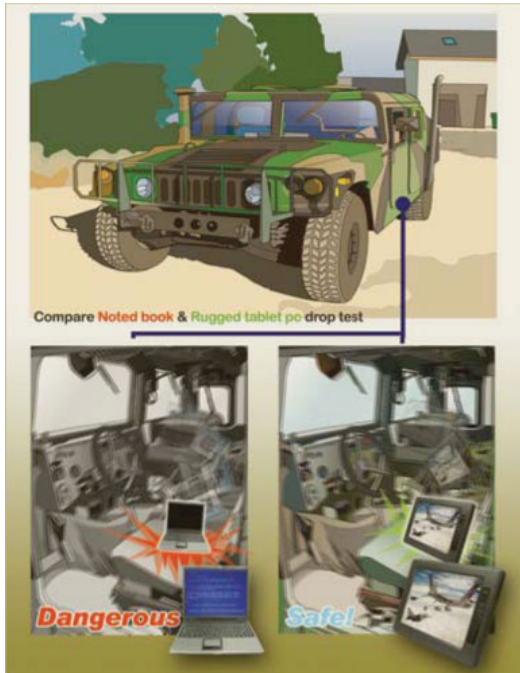


Ruggedized

Military LCD Display

15" SVGA Panel, 1024x768, Full IP65,
Transflective film enhancement Glass,
12V DC lockable connector, 800nits.
(Model: WRD1500M5)



FRONT VIEW



BOTTOM VIEW

Features:

- High Quality 15" XGA Panel, 1024*768 resolution, 800 nits
- Full IP65 Dust/Water Proof Enclosures (Except I/O parts)
- Aluminum Housing with Anti-Corrosion Treatments
- Anti-Shock and Vibration Standard according to MIL810F & IEC60068-2-27
- 5 Wire Resistive Touchscreen / Anti-Reflective Protection Glass (Optional)
- Wide Range 9 to 36V DC Input Acceptable (Optional)

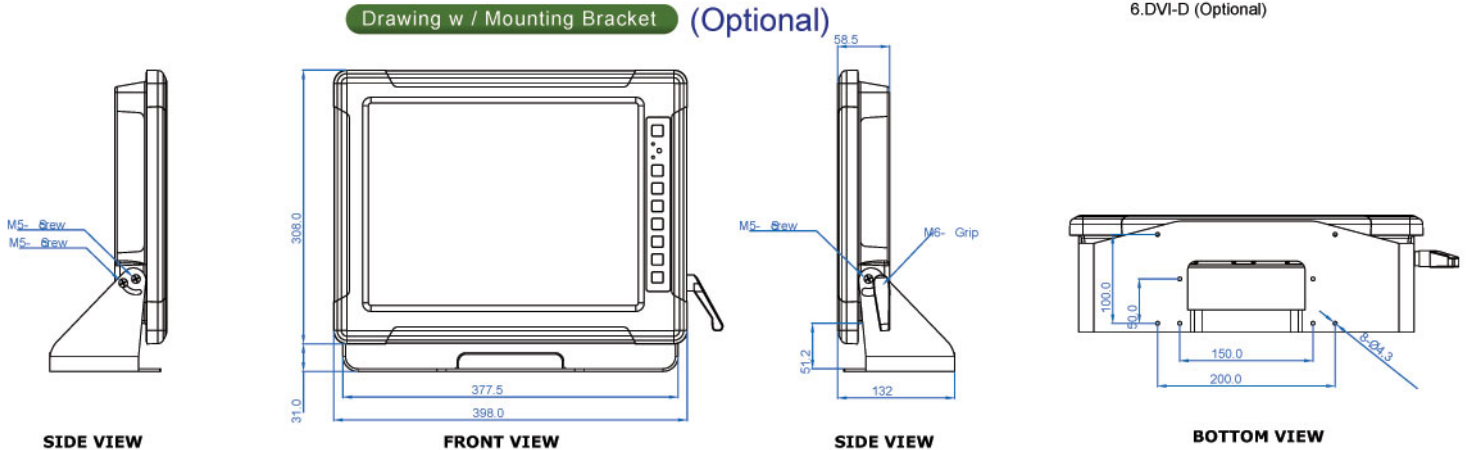
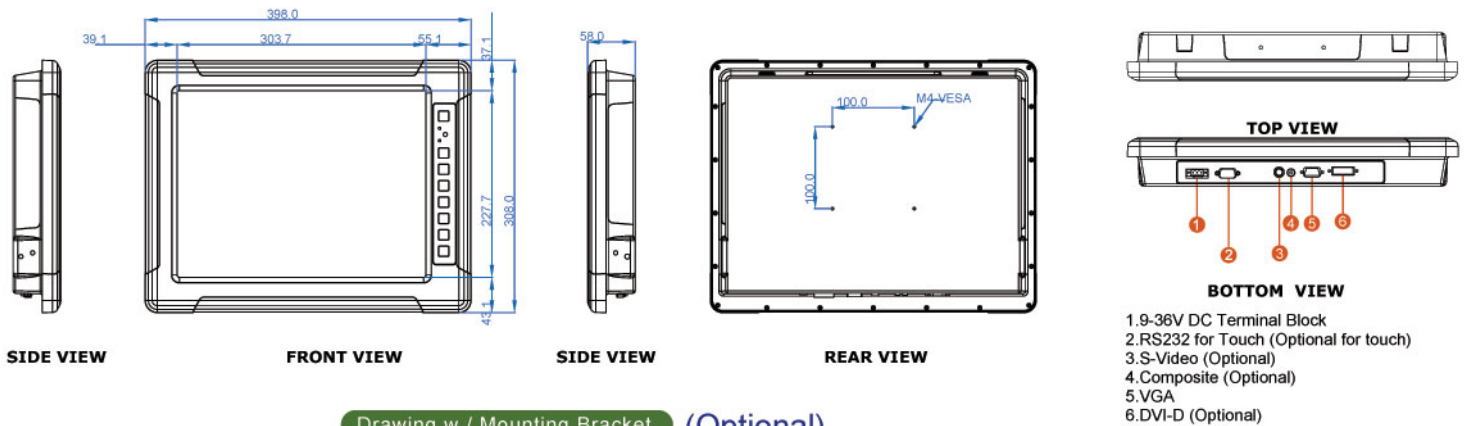
Model: WRD1500M5



i-Tech Company LLC

TOLL FREE: (888) 483-2418 • EMAIL: info@itechlcd.com • WEB: www.iTechLCD.com

Mechanical Drawing:



Measurements shown in mm / All Dimensions are ± 0.5 mm

★ Note: this is a simplified drawing and some components are not marked in detail. Please contact our sales representative if you need further product information.

Display Characteristics

Pixel Number	1024 x 768
Pixel Pitch (mm)	0.297 (H) x 0.297 (V)
Contrast Ratio	600: 1 (typ.)
Brightness	800 cd/m ² (typ.)
Viewable Angle(CR>=10)	-75~75 (H); -60~50 (V)
Active Display Area	304.1 (H) x 228.1 (V)
Max Colors	16.7M (8bits/color)
Touch (Optional)	5 Wire Resistive (Optional)

I/O Connectors

Back Panel I/O Port	1 x 9-36V DC in Terminal Block 1x RS232 for Touch (Optional for touch) 1 x S-Video (Optional) 1 x Composite (Optional) 1 x VGA 1 x DVI-D (Optional)
---------------------	--

In Front Control

Control Button	Menu / Auto-adjust / SWAP/ PIP Button Brightness Up / Increase Button Brightness Down / Decrease Button LED button brightness Display Power Button
Led indicator	Power On / Off Status Sleep Status

Mechanical and Environment

Dimensions (W x L x H)	398 mm x 308 mm x 58mm
Power Input	9~36V DC in Terminal Block
Power Consumption	35W typ.
Operating Temperature	-25 deg.C to 55 deg.C (Using Hard Drive:-10~55 deg.C)
Operating Humidity	10% to 95% (non condensing)
Environmental Test	MIL-STD-810 for Vibration/Shock/Humidity High and Low Temperature
Shock	Operating:40g for 11ms
Vibration	Operating: 1.62/2.02/2.20g rms for XYZ / 5-500Hz
* Testing based on using Solid State Drive (SSD)	

Certificates

CE, FCC ClassB

Product Optional items

Signal Input	DVI-D, Composite Video, S-Video for optional
Anti-Reflective Glass	3 mm Anti-Reflective Protection Glass
Mounting bracket	One robust bracket with locking handle (Cand adjust from -5 deg. to 90 deg.)