

Ruggedized IP65

7" HMI PoE Panel PC Model: WPMPC0700W-I93SHM

Product Features:

- 7" TFT LCD with resistive touch screen
- Embedded intel® Atom Z510P 1.1GHz processor
- Power Device
- Support Power over Ethernet(PD) IEEE 802.3at
- Fanless and Ultra-low power consumption
- Aluminium Front Bezel

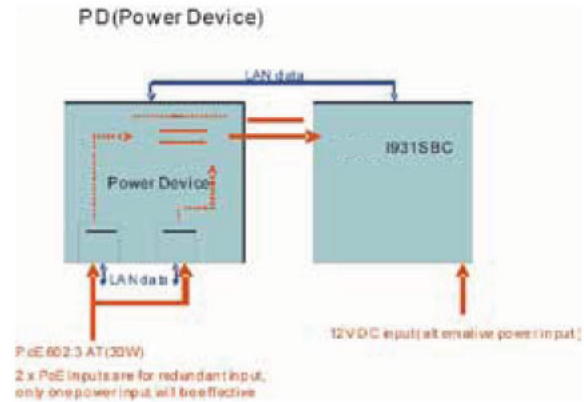


Specifications:

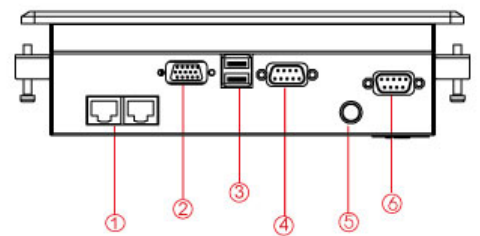
	Model Name	WPMPC0700W-I93SHM
Display	Size/Type	7" TFT
	Resolution (pixels)	800 x 480
	Number of Colors	262 K
	Brightness (cd/m2)	300
	Contrast Ratio	500:1
	Viewing Angle	-70~70 (V) ; -50~70 (H)
System	Processor	Intel® Atom Z510P 1.1GHz
	Chipset	Intel® US15W XL
	Memory	1 x SO-DIMM 512MB DDR2 400/533 (max 1GB)
	LAN	Dual Realtek RTL8111B Gigabit LAN Controller
	Storage	1 x Mini PCI-E SSD
Input / Output	USB Port	2 x USB
	Ethernet	2 x RJ 45-10/100/1000 Support IEEE 802.3at, PoE/PD
	VGA	1 x VGA (female)
	RS-232	1 x RS-232 COM Port
	RS-422/485	1 x *RS-232/422 / 485 COM Port (*Default RS-485)
	7" PPC needs either one port 802.3at PoE input	
Power	Power Input	12V DC-IN Power input or receives PoE Power from RJ45 Connector
	Power consumption	21W (typ.)(Max.backlight & high CPU load)
Environment	Operating Temperature	-10 deg.C to 60 deg.C
	Humidity	30% to 90% (non condensing)
Driver OS Support	Windows XP embedded / Windows 7 / Windows XPP Embedded / Linux / Win CE	
Accessories	External Adapter	110~230V Ac-in Power Adapter
Default	Mechanical	Panel Mount
	Touch	4 Wires Resistive
	CPU	Z510P 1.1GHz (Z530P by request)
	Storage	1 x Mini PCI-E SSD 8GB
PoE Function	RAM	1 x SO-DIMM DDR2 400/533 512MB
	Require IEEE 802.3at 25W power input	Power Device PD (Power-input)
Testing PoE Router	iTechLCD has tested this PD Product with D-Link DES-1008P and works perfectly	



Block diagram:



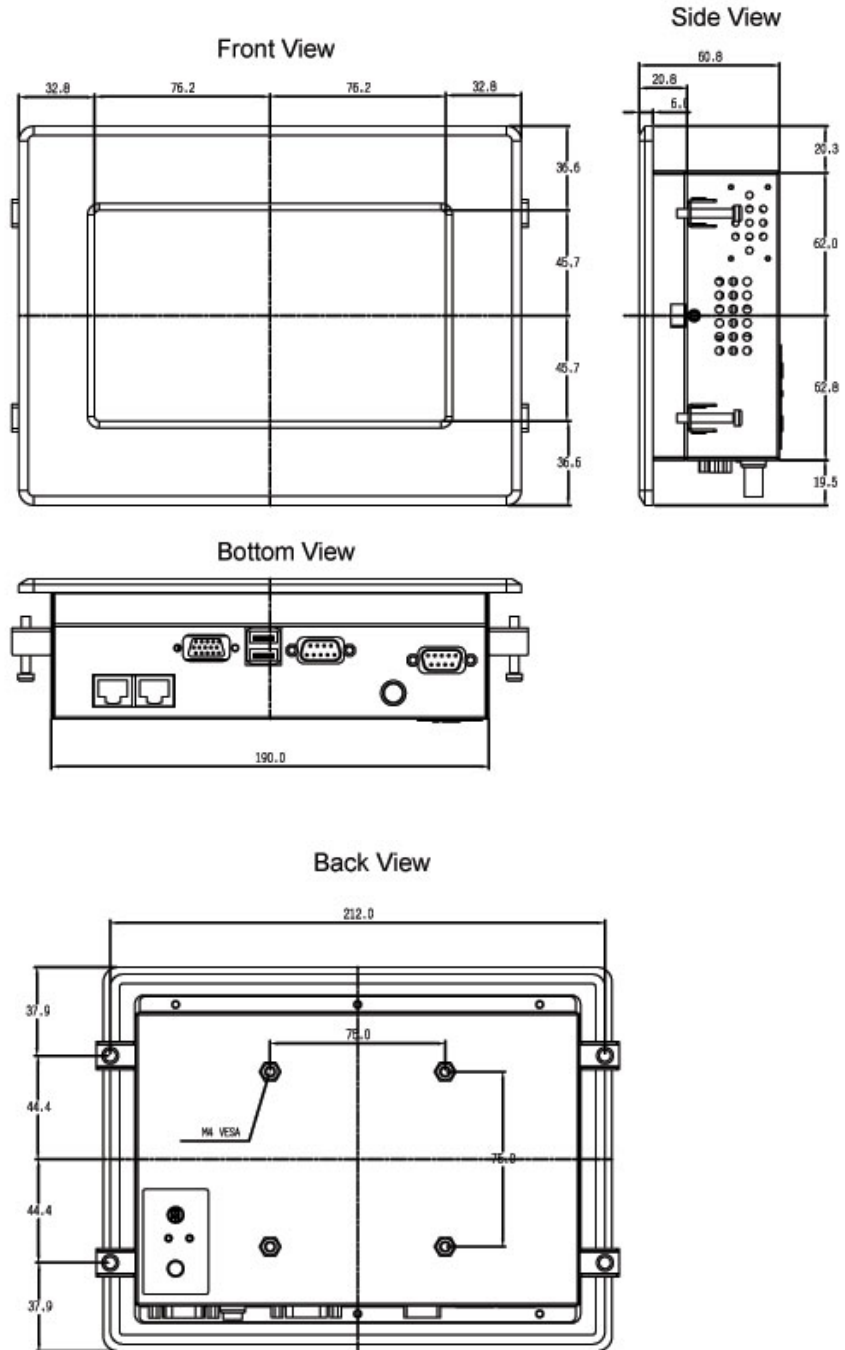
I / O View:



1. 2×RJ-45 with PoE function
2. VGA Out
3. USB
4. RS-232
5. 12V DC-IN
6. RS-485(Default)



Dimensions:



- Total dimension: L x H x D=218 x 164.6 x 60.8mm
Cutout dimension: 192 x 145mm
- Note: this is a simplified drawing and some components are not marked in detail.
Please contact our sales representative if you need further product information