

Marine Grade

20.1" Marine Bridge System Display (Model: WPM-MAR-2000A2-S2)

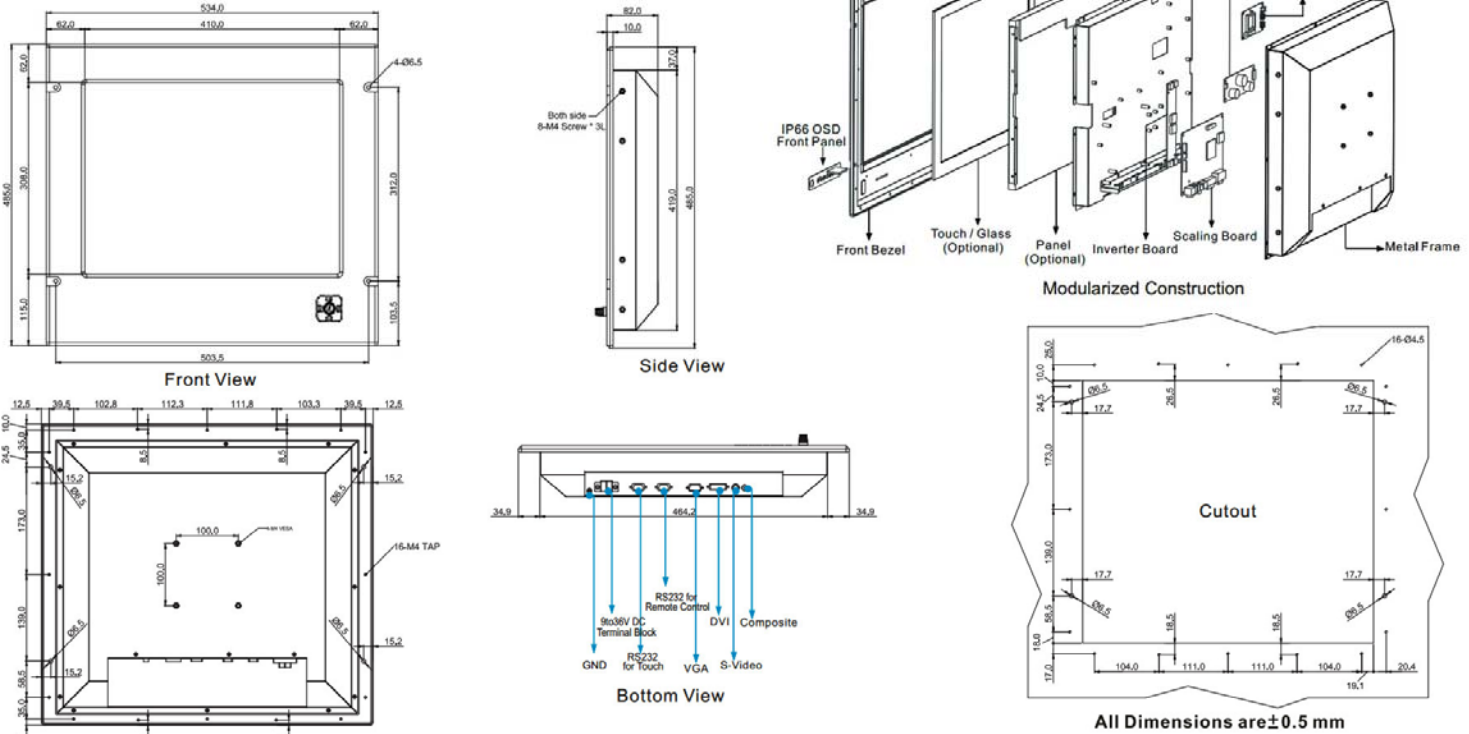


Features:

- Hyper Dimming : OSD control backlight brightness from nearly 0% to 100%
- Sunlight Readable : Transflective film technology enhance visibility
- Anti-Corrosion & IP Proof : IP65 aluminum housing with powder coating design (IP54 rear)
- Wide Voltage Range Input : 9 to 36V DC to DC power input acceptable (AC power for option)
- Touchscreen/ Protection Glass : High quality touchscreen
- Multiscan Function : PIP(picture in picture) function and multi-video inputs
- IP65 OSD Front Panel Design : Ease of use front panel OSD control
- Anti-Shock and Vibration : Enhanced shock and vibration resistance



Mechanical Drawing:



* Note: this is a simplified drawing and some components are not marked in detail. Please contact our sales representative if you need further product information.

TFT Characteristics

- Pixel Number : 1600x1200
- Pixel Pitch (RGB) : 0.255 (H) x 0.255(V) mm
- Contrast Ratio : 700 : 1 (typ.)
- Light Intensity : 300 cd/m2 (typ.)
- Viewable Angles : -89-89(H); -89-89(V)
- Active Display Area : 408.0 (H) x 306.0(V) mm
- Max Colors : 16.7M (8bit/colors)

Input Signals

- RGB Signal : D-SUB 15P connector(female)
- Composite Video : RCA phono plug
- S-Video Signal : S-Video (SVHS) plug
- DVI-D Signal : DVI-D input 24pin connector
- DC Power Signal : Screw terminal block
- AC Power Signal (optional) : Std IEC Inlet
- Touch Screen (Optional) : D-SUB 9P connector (female)
- Remote via RS-232(Optional) : D-SUB 9P connector (female)

User Controls

- Power On/Off via front button
- Power Mode Status LED
- On Screen Display control(OSD)
- OSD Remote Control via RS-232

Power Specifications

- Power Supply Options : 9 to 36 V DC power supply with Terminal block
- Power Consumption : 90 to 265V AC powersupply
- Mechanical and Environmental : 73 W typical, normal operation

Mechanical and Environmental

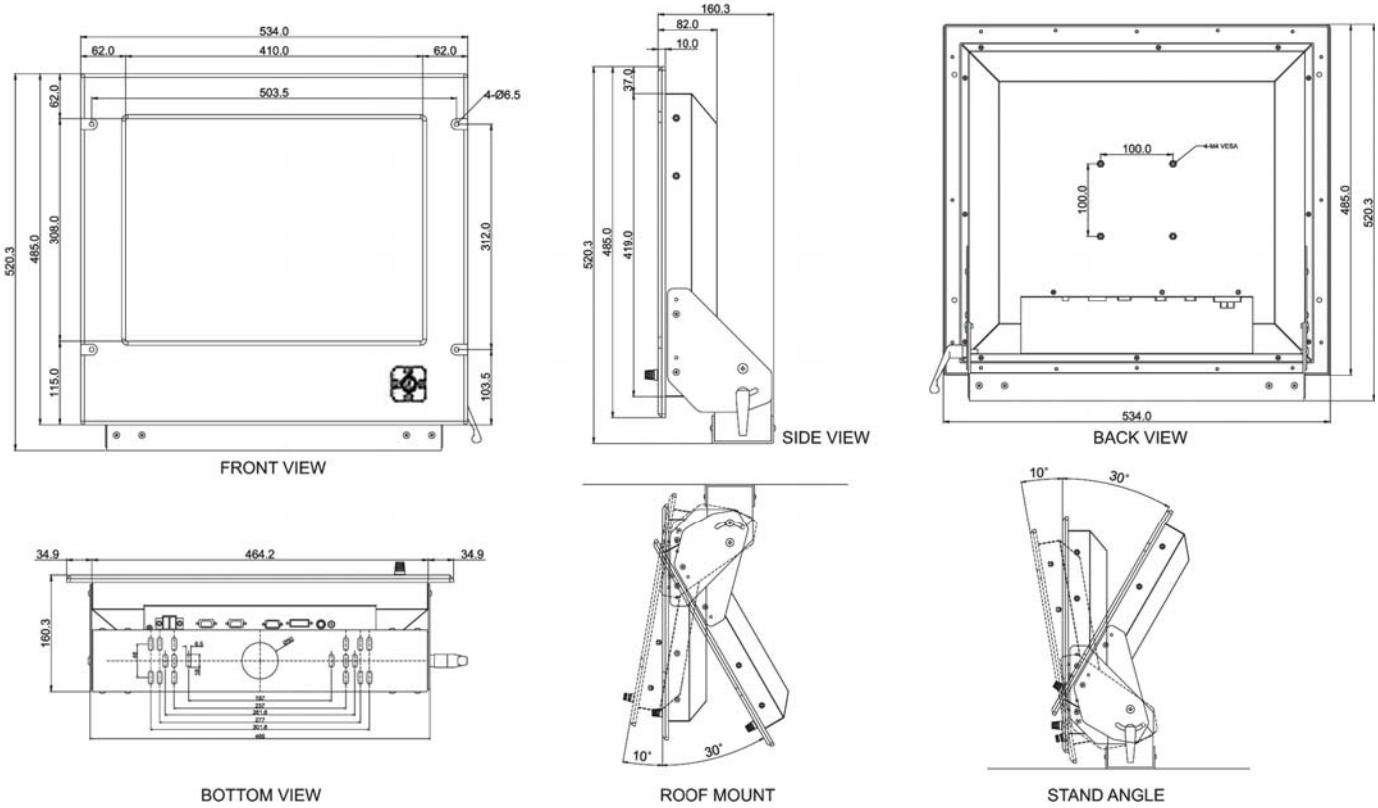
- Mechanical Mounting : Panel (Flush) mount with IP65*, VESA, Bracket mounting
- Operating Temperature : -10 to 55 deg.C (-20 to 60 deg.C for optional heating)
- Operating Humidity : 5% to 95% (non condensing)
- Anti-Vibration : 5Hz-500Hz / 1Grms/3 Axis
- Anti-Shock : 15G, 11ms duration

* SAW touch for IP54

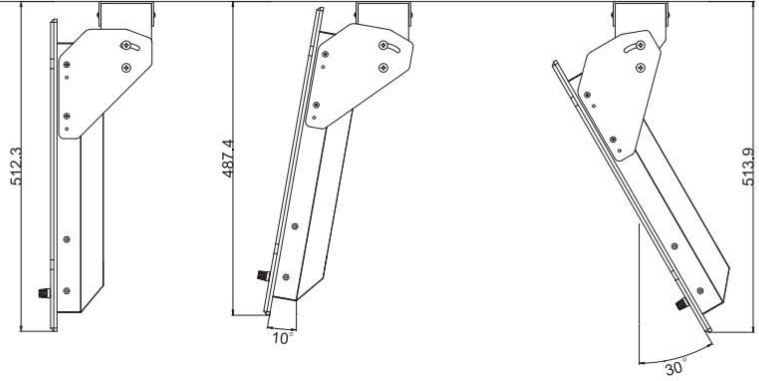
Available Options

- Touch Screen Options : SAW, 5 Wire Resistive
- Transflective Options : Yes (Enhance Visibility)
- AC power Options : Yes (90 to 265 V AC power input)
- Bracket Mounting Options : Yes (One robust bracket can adjust from -10 to 30 deg.)
- Transflective : Yes

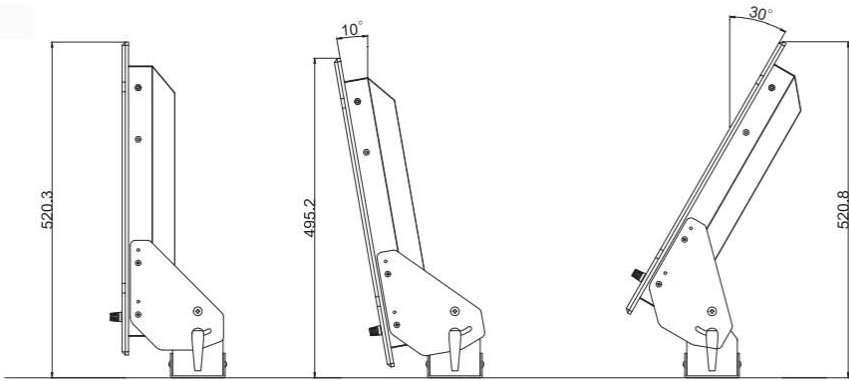
Mechanical Design with Robust Bracket (options)



ROOF MOUNT



STAND ANGLE



All Dimensions are ±0.5 mm

* Note: this is a simplified drawing and some components are not marked in detail. Please contact our sales representative if you need further product information.



Rev.	Reasons	Revised Date
1.0	First Release	Aug-04-09
1.1	Spec change	Aug-06-10

*Extra charge is required for back covers with bracket holes for products purchased before end of Nov. '08'



i-Tech Company LLC
 TOLL FREE: (888) 483-2418 • EMAIL: info@itechlcd.com • WEB: www.iTechLCD.com