

Marine Grade

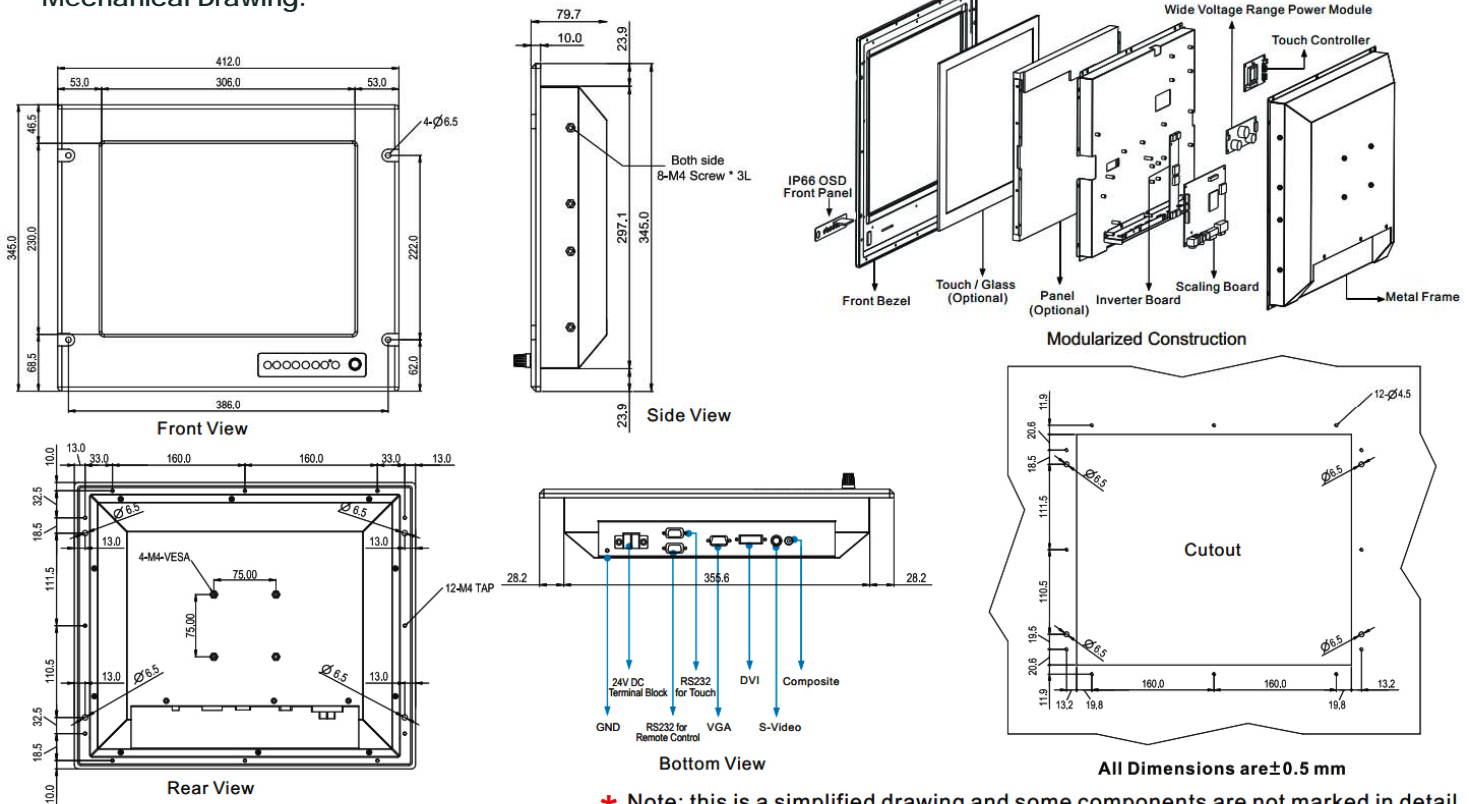
15" Marine Bridge System Display (Model: WPM-MAR-1500M2-S2)



Features:

- Hyper Dimming : OSD control backlight brightness from nearly 0% to 100%
- High Quality Panel : High resolution 1024 x 768 panel
- Anti-Corrosion & IP Proof : IP65 aluminum housing with powder coating design (IP54 rear)
- Wide Voltage Range Input : 9 to 36V DC to DC power input acceptable (Isolation Resistance)
- Touchscreen/ Protection Glass : High quality touchscreen
- Multiscan Function : PIP(picture in picture) function and multi-video inputs
- IP65 OSD Front Panel Design : Ease of use front panel OSD control
- Anti-Shock and Vibration : Enhanced shock and vibration resistance

Mechanical Drawing:



* Note: this is a simplified drawing and some components are not marked in detail. Please contact our sales representative if you need further product information.

TFT Characteristics

Pixel Number	1024 x 768
Pixel Pitch (RGB)	0.297 (H) x 0.297 (V) mm
Contrast Ratio	350 : 1 (typ.)
Light Intensity	400 cd/m2 (typ.)
Viewable Angles	-85~85(H); -80~70(V)
Active Display Area	304.1 (H) x 228.1 (V) mm
Max Colors	16.7M (8bit/colors)

Input Signals

RGB Signal	D-SUB 15P connector(female)
Composite Video	RCA phono plug
S-Video Signal	S-Video (SVHS) plug
DVI-D Signal	DVI-D input 24pin connector
DC Power Signal	Screw terminal block
AC Power Signal (optional)	Std IEC Inlet
Touch Screen (Optional)	D-SUB 9P connector (female)
Remote via RS-232(Optional)	D-SUB 9P connector (female)

User Controls

- Power On/Off via front button
- Power Mode Status LED
- On Screen Display control(OSD)
- OSD Remote Control via RS-232

Power Specifications

Power Supply Options	9 to 36 V DC power supply with Terminal block
Power Consumption	90 to 265V AC power supply
	43 W typical, normal operation

Mechanical and Environmental

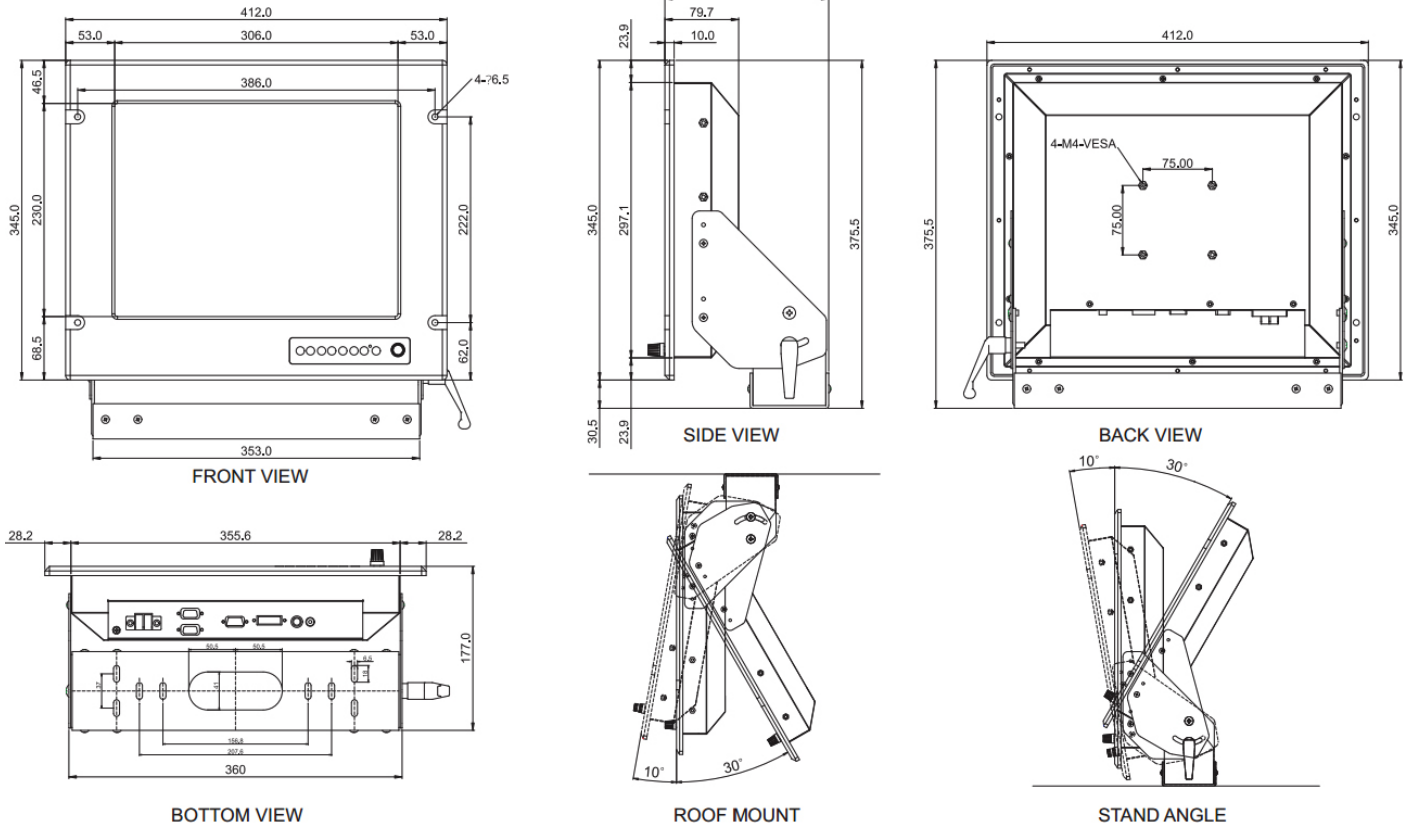
Mechanical Mounting	Panel (Flush) mount with IP65*, VESA, Bracket mounting
Operating Temperature	-10 to 55 deg.C (-20 to 60 deg.C for optional heating)
Operating Humidity	5% to 95% (non condensing)
Anti-Vibration	5Hz~500Hz / 1Grms/3 Axis
Anti-Shock	15G, 11ms duration

* SAW touch for IP54

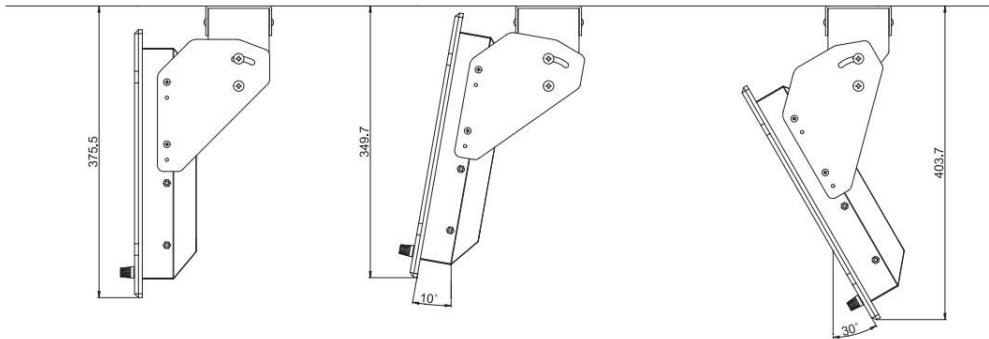
Available Options

Touch Screen Options	SAW, 5 Wire Resistive
AC power Options	Yes (90 to 265 V AC power input)
Bracket Mounting Options	Yes (One robust bracket can adjust from -10 to 30 deg.)
Transflective	Yes

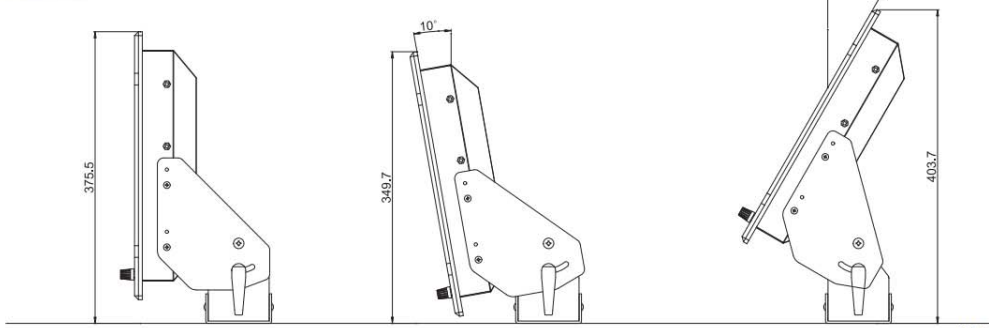
Mechanical Design with Robust Bracket (options)



ROOF MOUNT



STAND ANGLE



All Dimensions are ±0.5 mm

* Note: this is a simplified drawing and some components are not marked in detail. Please contact our sales representative if you need further product information.



Rev.	Reasons	Revised Date
1.0	Add holes for brackets on back cover*	Nov-17-08
1.1	Spec change	Feb-16-11

*Extra charge is required for back covers with bracket holes for products purchased before end of Nov. '08'

