

Marine Grade

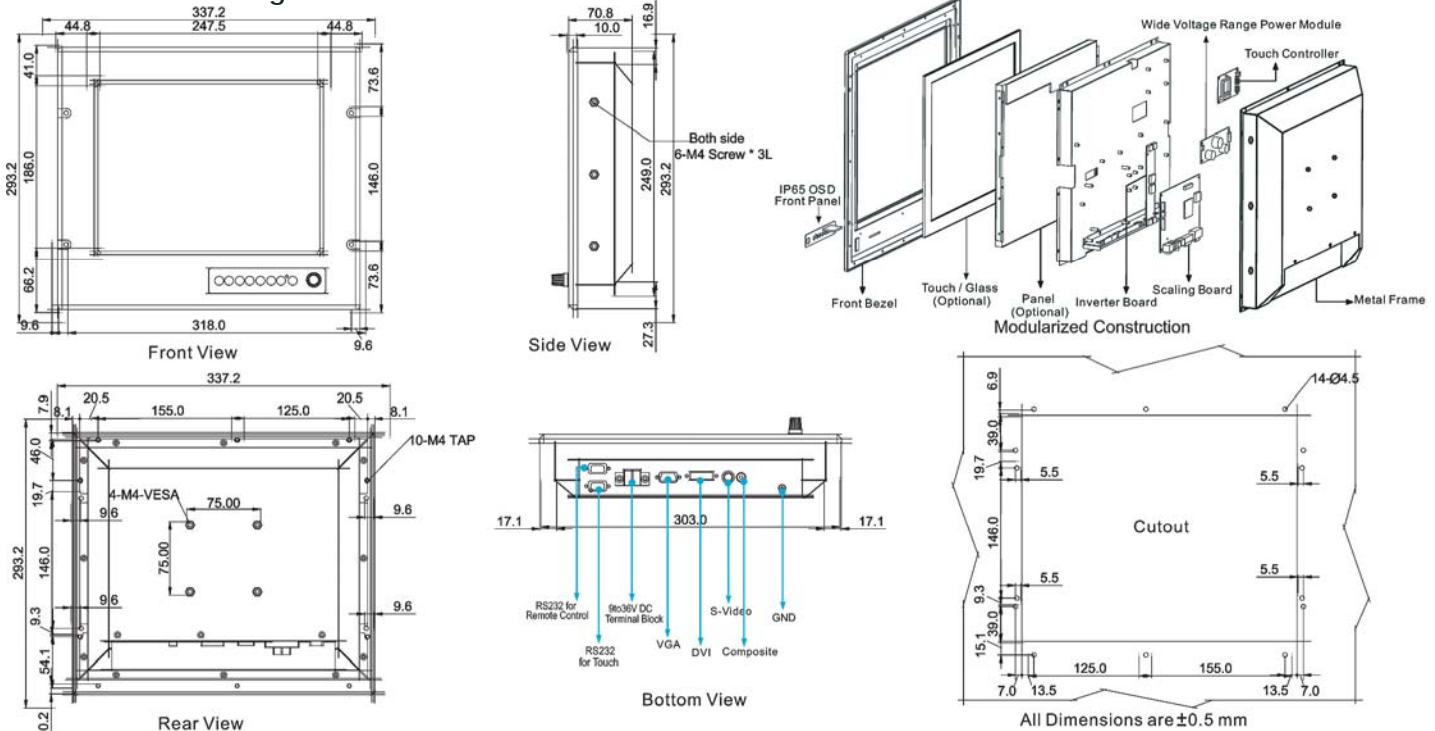
12.1" Marine Bridge System Display (Model: WPM-MAR-1200M4HB)



Features:

- Hyper Dimming : Dimming knob control backlight brightness from nearly 0% to 100%
- High Brightness LCD Panel : High brightness TFT-LCD panel enhance the best visibility
- Ruggedized IP65 Proof : Panel (flush) mount with IP65 aluminum housing design (IP54 rear)
- Wide Voltage Range Input : 9 to 36V DC to DC power input acceptable (AC power for option)
- Touchscreen/ Protection Glass : High quality touchscreen
- Multiscan Function : PIP(picture in picture) function and multi-video inputs
- IP65 OSD Front Panel Design : Ease of use front panel OSD control
- Anti-Shock and Vibration : Enhanced shock and vibration resistance

Mechanical Drawing:



* Note: this is a simplified drawing and some components are not marked in detail. Please contact our sales representative if you need further product information.

TFT Characteristics

Pixel Number	1024 x 768
Pixel Pitch (RGB)	0.240 (H) x 0.240 (V) mm
Contrast Ratio	700 : 1(typ.)
Light Intensity	1000 cd/m (typ.)
Viewable Angles	-60~60(H);-75~45(V)
Active Display Area	245.76 (H) x 184.32(V) mm
Max Colors	16.7M (8bit/colors)

Input Signals

RGB Signal	D-SUB 15P connector(female)
Composite Video	RCA phono plug
S-Video Signal	S-Video (SVHS) plug
DVI-D Signal	DVI-D input 24pin connector
DC Power Signal	Screw terminal block
AC Power Signal (optional)	Std IEC Inlet
Touch Screen (Optional)	D-SUB 9P connector (female)
Remote via RS-232(Optional)	D-SUB 9P connector (female)

User Controls

- Power On/Off via front button
- VR Brightness Knob Control
- Power Mode Status LED
- On Screen Display control(OSD)
- OSD Remote Control via RS-232

Power Specifications

Power Supply Options	9 to 36 V DC power supply with Terminal block
Power Consumption	90 to 265V AC powersupply
	54 W typical, normal operation

Mechanical and Environmental

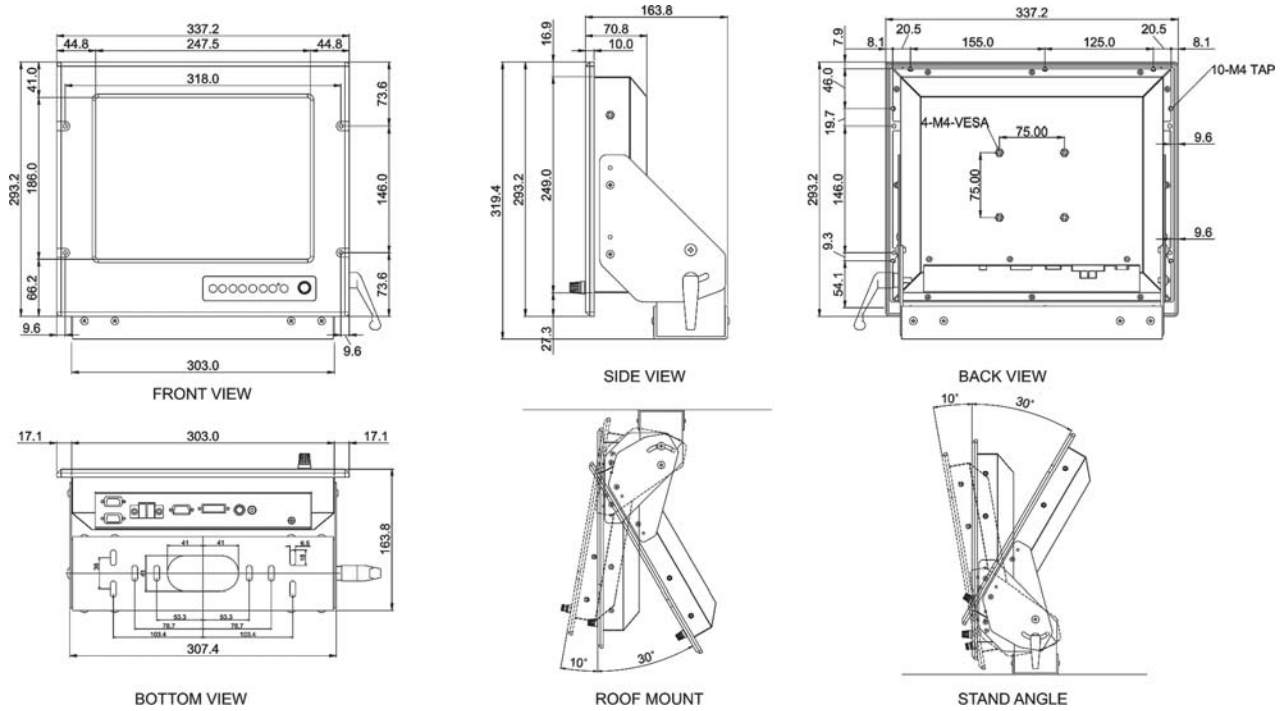
Mechanical Mounting	Panel (Flush) mount with IP65*, VESA, Bracket mounting
Operating Temperature	-10 to 55 deg.C (-20 to 60 deg.C for optional heating)
Operating Humidity	5% to 95% (non condensing)
Anti-Vibration	5Hz~500Hz / 1Grms/3 Axis
Anti-Shock	15G, 11ms duration

* SAW touch for IP54

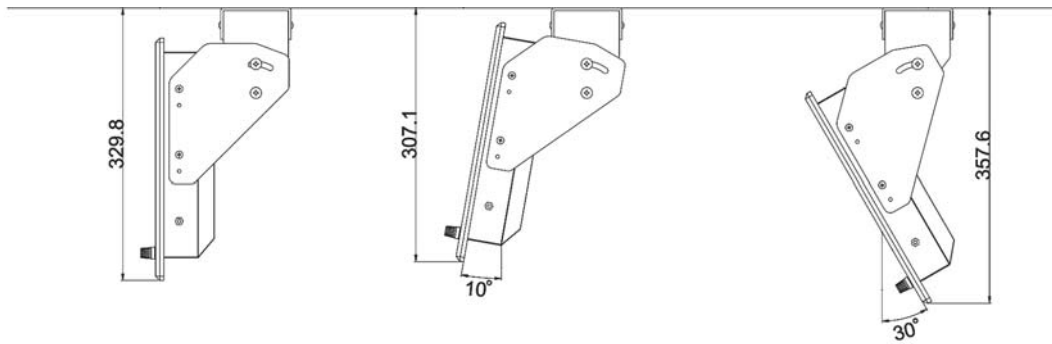
Available Options

Touch Screen Options	SAW, 5 Wire Resistive
AC power Options	Yes (90 to 265 V AC power input)
Bracket Mounting Options	Yes (One robust bracket can adjust from -10 to 30 deg.)

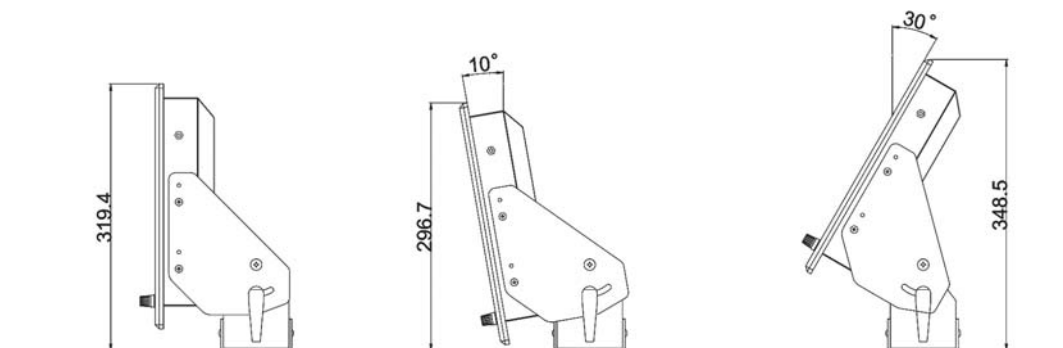
Mechanical Design with Robust Bracket (options)



Roof Mount



Stand Angle



All Dimensions are ±0.5 mm

* Note: this is a simplified drawing and some components are not marked in detail. Please contact our sales representative if you need further product information.



Certification and Approvals : CE, FCC

* Extra charge is required for back covers with bracket holes for products purchased before end of Nov. 08'

*Extra charge is required for back covers with bracket holes for products purchased before end of Nov. 08'

