



Open Frame LCD

Model: WOPW700A4

Specifications

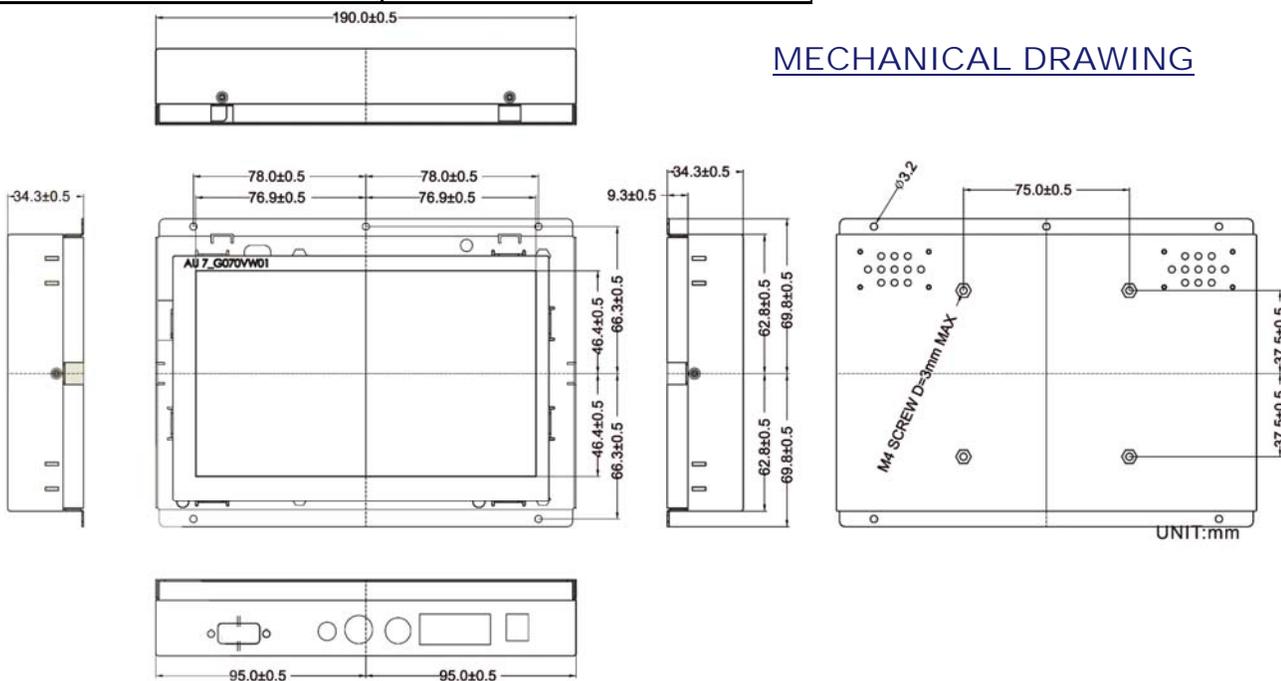
Model Name	WOPW700A4
Viewable Size image	7"(16:9)
Active Display Area (mm)	152.4(H) x 91.44(V)
Pixel Pitch(mm)	0.1905(H) x 0.1905(V)
Number of Pixels	800(H) x 480(V)
Contrast Ratio	1000:1 (typ.)
Color Configuration	262K(6bit) / 16.2M(8bit)
Brightness(cd/m ²)	400
Viewing Angle(CR>=10)	-80~80(H); -80~80(V)
Synchronization Range (Horizontal / Vertical)	31.5~37.5KHz / 60~75Hz
Recommended Resolution	800 x 480@60Hz
Signal Connector	15 pin D-sub
Power Source	12V DC in, with External AC to DC Adapter (100~240V AC)
Power Consumption	10W typical, normal operation
Power Management	VESA DPMS Compliant
Plug & Play	Yes
Support Video Signal Type	NTSC/PAL
Optional Video Input	S-Video, Composite
Optional DVI Input	No
Optional Touch Screen	4 Wire Resistive



RoHS
COMPLIANT
2002/95/EC

Remarks: WOPW700A4 = VGA input only
WOPW700A4 = VGA+Video Input

MECHANICAL DRAWING



* Note: this is a simplified drawing and some components are not marked in detail. Please contact our sales representative if you need further product information.