



Open Frame LCD

Model: W1900A1D-BT163

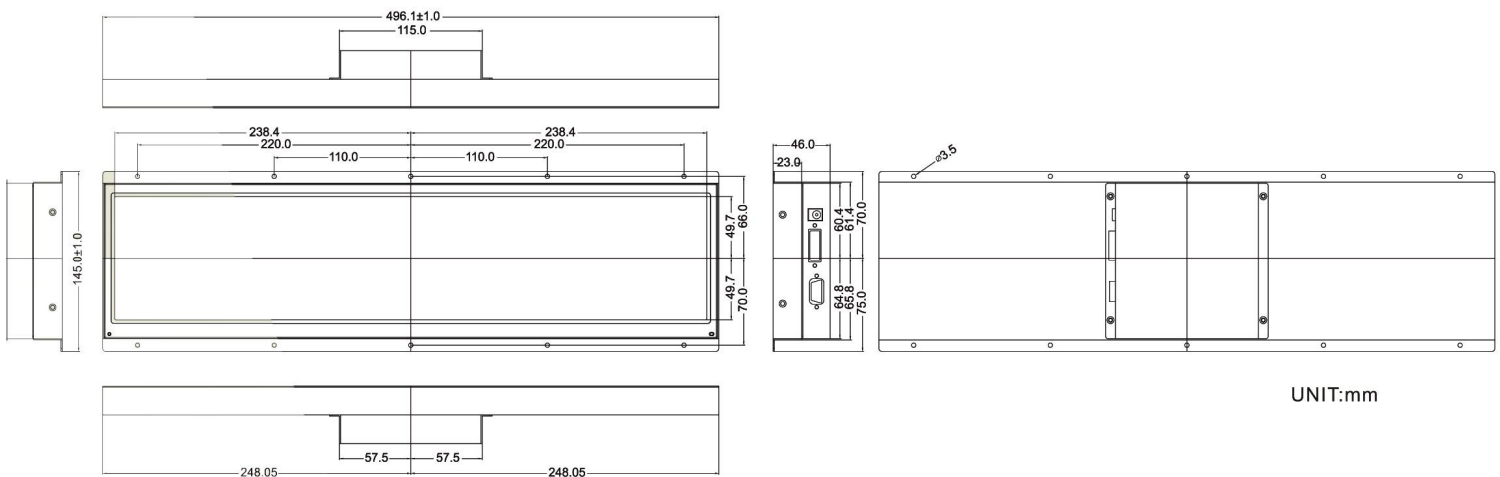
Specifications

Model Name	WOPW1900A1D-BT163
Viewable Size image	19"(bar type)
Active Display Area (mm)	473.76 (H) x 96.44 (V)
Pixel Pitch(mm)	0.282 (H) x 0.282 (V)
Number of Pixels	1680x342
Contrast Ratio	2000:1 (typ.)
Display Color	16.7M (6bits+HiFRC)
Brightness(cd/m2)	300 (typ.)
Viewing Angle(CR>=10)	-89~89(H); -89~89 (V)
Synchronization Range (Horizontal / Vertical)	31.5~60.0KHz / 60~75Hz
Recommended Resolution	1680x1050 @60Hz
Signal Connector	15 pin D-Sub
Power Source	AC 100~240 V,Universal,±10%
Power Consumption	30W(Typ.)
Power Management	VESA DPMS Compliant
Plug & Play	VESA DDC 1/2B
Optional Video Input	No
Optional DVI Input	Yes
Optional Touch Screen	No



Remarks: WOPW1900A1D-BT163 = VGA input only
 WOPW1900A1D-BT163 = VGA+Video Input

MECHANICAL DRAWING



UNIT:mm

* Note: this is a simplified drawing and some components are not marked in detail. Please contact our sales representative if you need further product information.

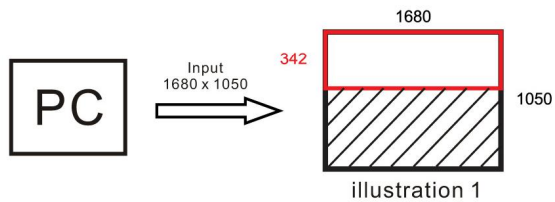


Open Frame LCD

Resolution: 1680 x 342

iTechLCD's special designed AD Board is capable of driving the very narrow panel with a standard resolution of 1680x1050, but display only the top third of the desktop height.

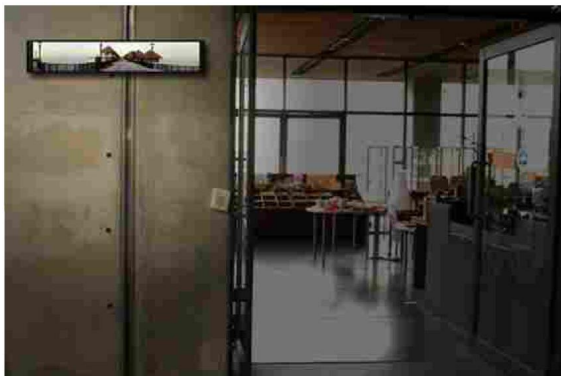
Although the panel resolution is 1680 x 342, please input 1680 x 1050 format signal to it.



Resolution: 1680 x 342 (at 1:1 mode)



Application



Restaurant



Hotel Lobby



Department Store



Retail Store