



Open Frame LCD

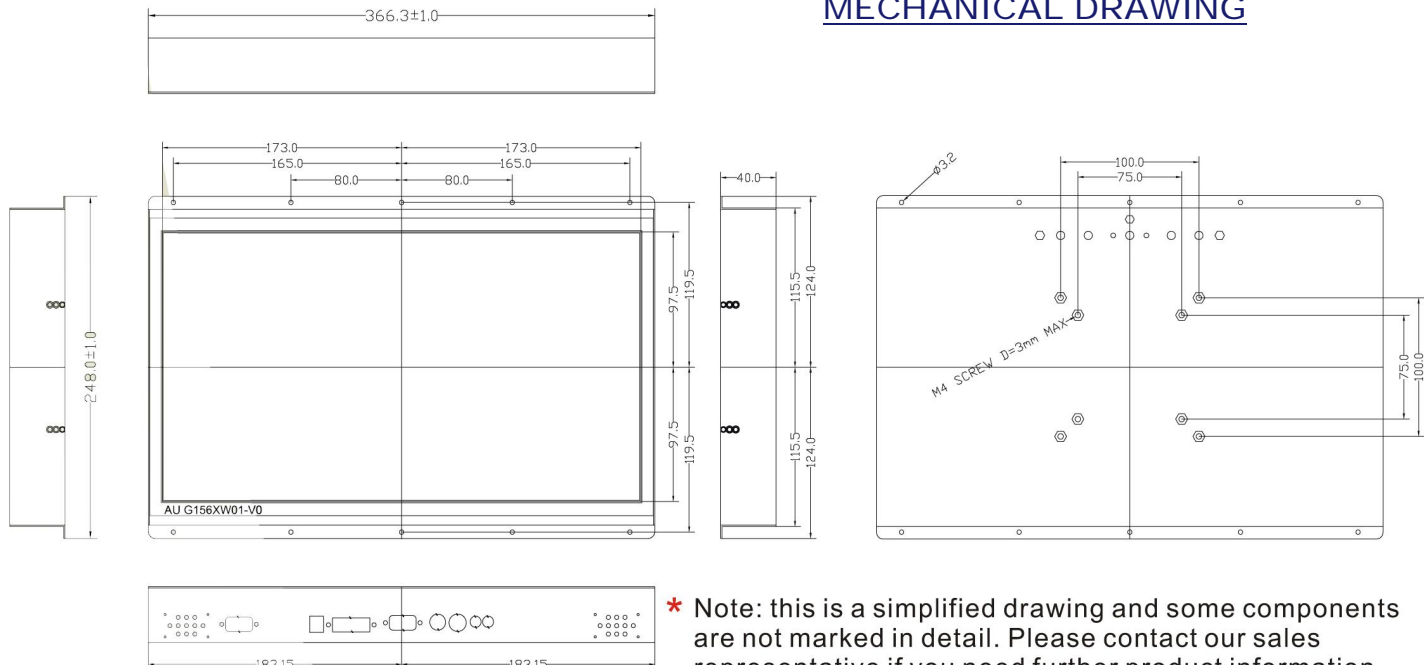
Model: WOPW1540A4

Specifications	
Model Name	WOPW1540A4
Viewable Size image	15.6"(16:9)
Active Display Area (mm)	344.232(H) x 193.536(V)
Pixel Pitch(mm)	0.252mm x 0.252mm
Number of Pixels	1366 x 768
Contrast Ratio	500:1(typ.)
Display Color	16.7M
Brightness(cd/m2)	300(typ.)
Viewing Angle(CR>=10)	-85~85(H); -80~80(V)
Synchronization Range (Horizontal / Vertical)	31.5~60.0KHz/60~75Hz
Recommended Resolution	1366x768@ 60Hz
Signal Connector	15 pin D-sub
Power Source	AC100~240V, Universal, 10%
Power Consumption	25W typical, normal operation
Power Management	VESA DPMS Compliant
Plug & Play	VESA DDC 1/2B
Optional Video Input	S-Video, Composite
Optional DVI Input	Yes
Optional Touch Screen	Resistive



RoHS
COMPLIANT
2002/95/EC

Remarks: WOPW1540A4 = VGA input only
WOPW1540A4 = VGA+Video Input



www.i-techcompany.com www.i-techcompany.com www.i-techcompany.com www.i-techcompany.com



Toll Free: 1-888-483-2418 Fax: 1-510-372-2736 E-mail: info@itechlcd.com