

# MILITARY GRADE CONSOLE DISPLAY

19" 1280x1024, 350nits Military Grade Rugged Console Display  
 Compliant with military standard Compliant MIL-STD 461E/F and  
 MIL-STD 810F/G with P-Cap Touch Projective Touch  
 Intel Core i5-8265U 1.6GHz Processor



**Model: WMRM1900-i5-PCAP-V1**



## FEATURES:

- Anti-Corrosion Housing / Fanless
- Compliant with MIL-STD-810G/F , MIL-STD-461E/F
- Flush Rack / Rack Mount Mechanical Design (8U)
- Convenient On-Screen Display Controls
- AC 110~240 V Power input default
- Isolation DC 9~36 V Power input (Optional)
- Built-in Light Sensor for auto brightness control
- CPU: Intel Core i5-8265U 1.6GHz Processor
- RAM: 8GB
- SSD: 256GB
- OS: Windows 11 Pro
- With P-CAP touch

## SPECIFICATIONS

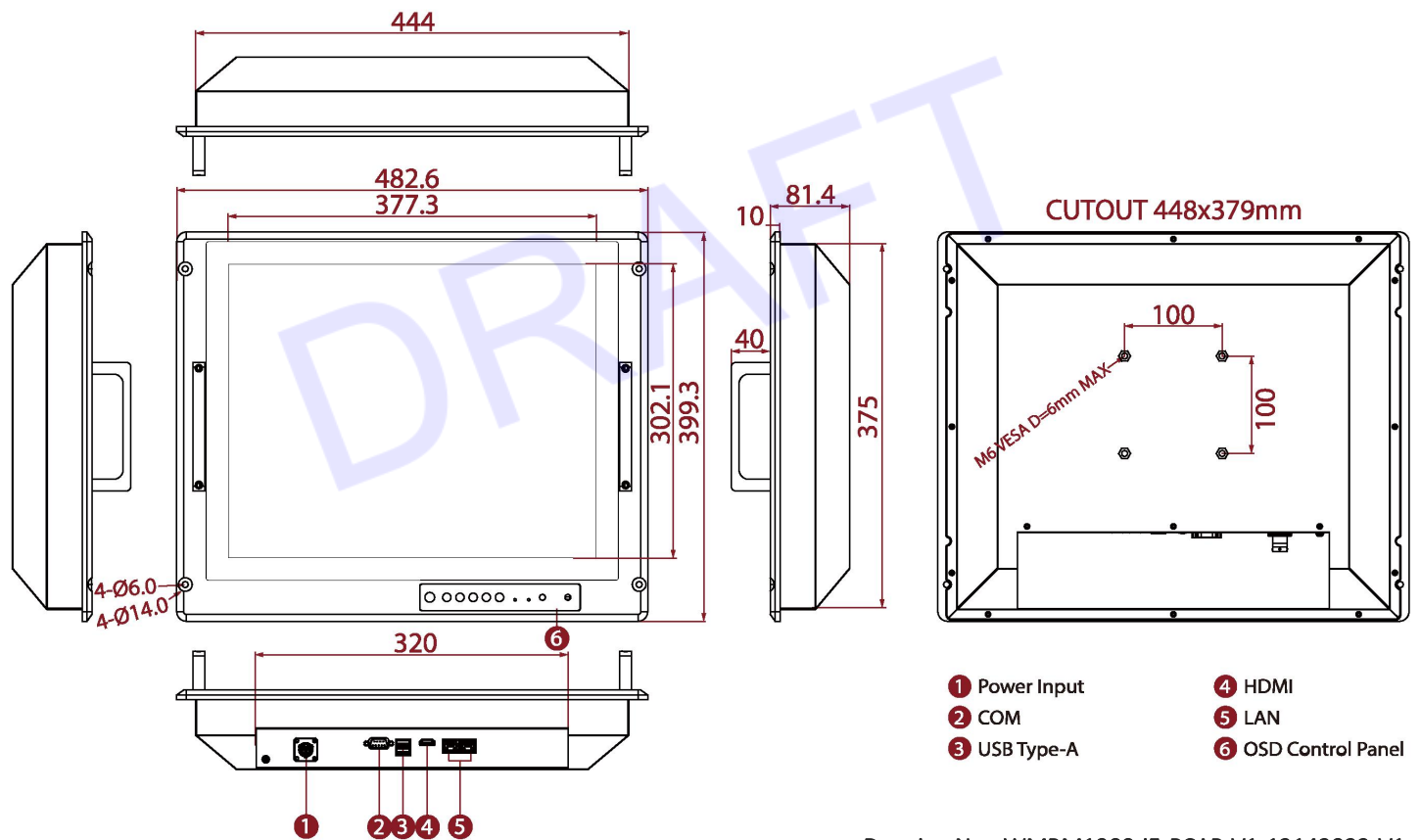
DISPLAY			
Resolution	1280x1024	Size	19 inches
Contrast Ratio	1000:1	Panel Brightness	350 nits
Display Color	16.7M Colors	View Angles	85,85,80,80
Active Area	376.32x301.06 mm	Touch / Glass	Projected Capacitive Multi Touch Screen PCAP with With ITO Flim (Optional)
SYSTEM SPECIFICATIONS			
Processor	Intel Core i5 8265U (6M Cache, 1.6GHz up to 3.9 GHz)	Memory	1x SO-DIMM, DDR4 2400 MHz, 8GB 16GB (Optional) 32GB (Optional)
Storage	1 x M.2 2242 Bkey SSD 256GB up to 512GB (Optional)	Ethernet controller	Intel® Ethernet Controller I210-AT + Intel® Ethernet Connection I219-LM
Operating System	Windows 11 Pro		
ENVIRONMENT			
Operating Humidity	10% to 95% RH	Operating Temperature	-20°C ~ 60°C
Storage Temperature	-30°C ~ 70°C		
COMPLIANCE			
MIL-STD 461E/F	RE101 /RE102 CE101 /CE102 with EMI Glass / Touch(Optional) RS101 /RS 103 CS101 /CS 106/CS 109/CS 114/CS 115/CS 116	MIL-STD 810F/G	Vibration Method 514.5 Humidity Method 507.4 Transit Drop Method516.5
CERTIFICATION			
Certification	CE, FCC		
IO PORTS			
USB Port	2 x USB 3.2 Gen 1	Serial Port	1 x RS232/422/485 (Default RS232)
Video	1 x HDMI (Optional)	LAN	2 x RJ-45
MECHANICAL			
Dimension	482.6 x 399.3 x 79.6 mm	Mounting	Rack Mount / VESA Mount
Enclosure	Metal Housing with Aluminum Bezel	Cooling System	Fanless Design
POWER			
Power Rating	AC 100-240V, Universal, ±10% DC 9-36V, ±10% (Optional)		

\*Specifications subject to change without notice, not responsible for typographical errors.

<b>ACCESSORY</b>	
<b>Accessory</b>	1 x Manual(Hardcopy) 1 x Driver CD 1 x Power Cord
<b>CONTROL</b>	
<b>Button</b>	8 Key OSD Control Pad: Power, Brightness DOWN, Brightness UP, Night, Day, Auto / Manual, Reset, Lock

## MECHANICAL DRAWING

*This is subject to change without Notice. Final Drawings Will be Provided for Approval after Order.*



Drawing No.: WMRM1900-i5-PCAP-V1-12142022-V1