

BUS Signage

Central POWER Management

Model: **PM110-BUS**

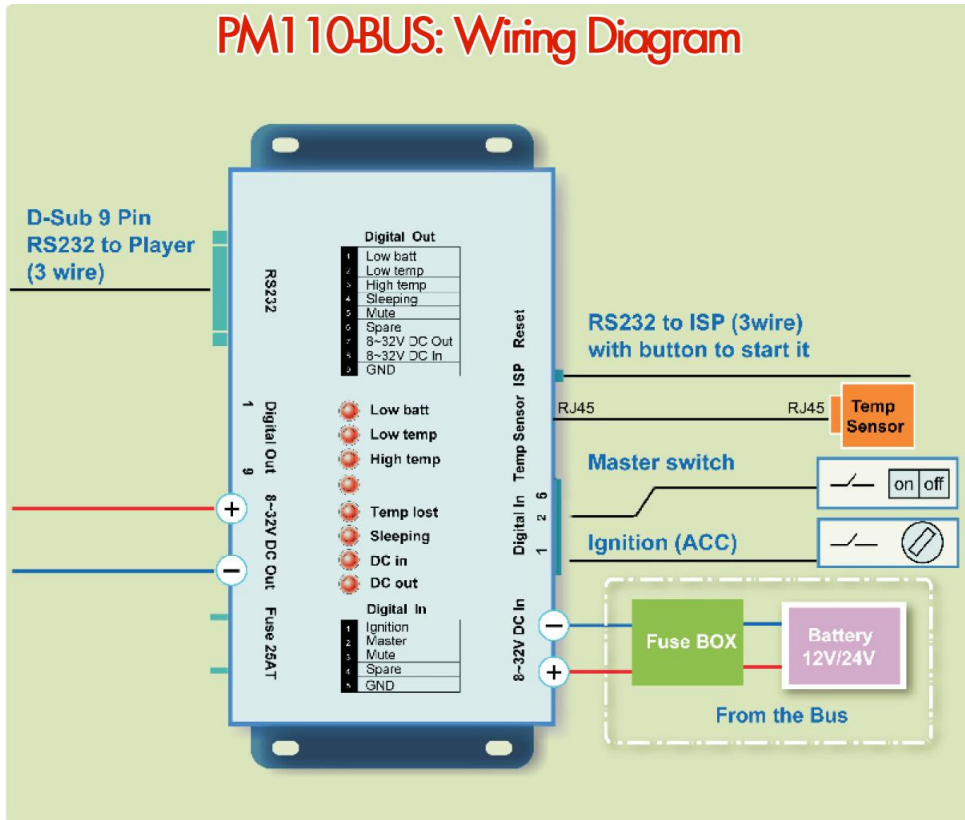


SPECIFICATIONS

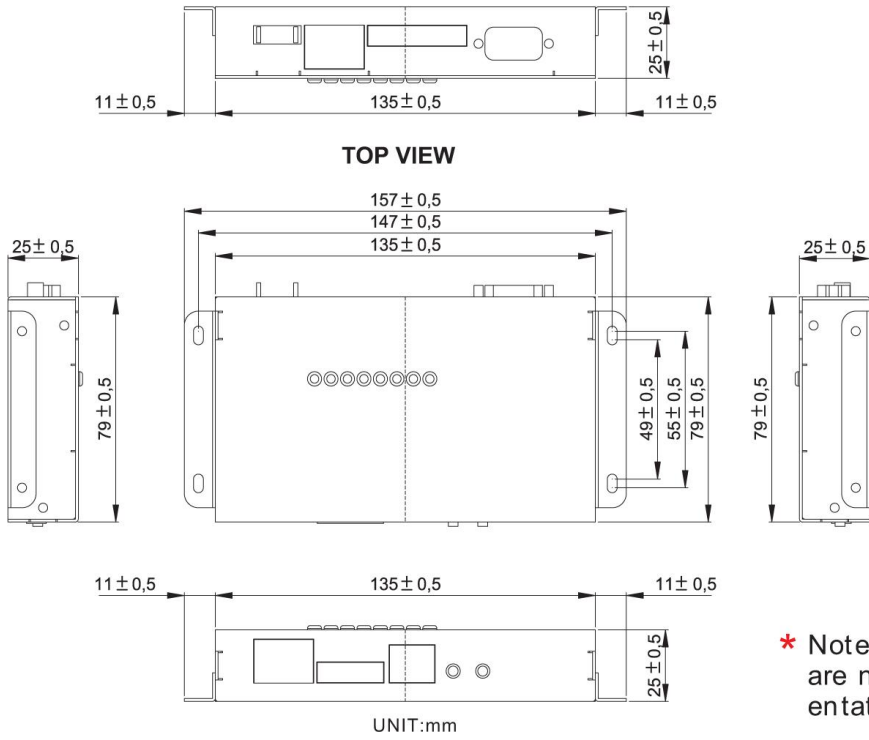
General :	
Dimensions	135(W)x79(H)x25(D)
Weight	Approx. 0.2 kg
Input/Output :	
Battery In	8-32V DC in
DC Out	8-32V DC out
Constant Current	20A
Peak Current	100A@1ms
Fuse	Fuse
RS232	D-Sub 9 pin
RS232 ISP	D-Sub 9 pin
Digital Input	6 pin header with lockable connector
Digital Output	9 pin header with lockable connector
Temp Sensor	CAT5 Connector
Environment Considerations:	
Operating Temperature	-40 to 80 °C
Humidity	5-85%@50 °C

Digital Out	Digital In	LED Indicator
Pin	Pin	Low batt
1 Low batt	1 Ignition	Low temp
2 Low temp	2 Master	High temp
3 High temp	3 Mute	Temp lost
4 Sleeping	4 Spare	Sleeping
5 Mute	5 GND	DC IN
6 Spare		DC Out
7 8-32V DC Out		
8 8-32V DC In		
9 GND		

PM110-BUS: Wiring Diagram



BOX Mechanical Drawing



* Note: this is a simplified drawing and some components are not marked in detail. Please contact our sales representative if you need further product information.