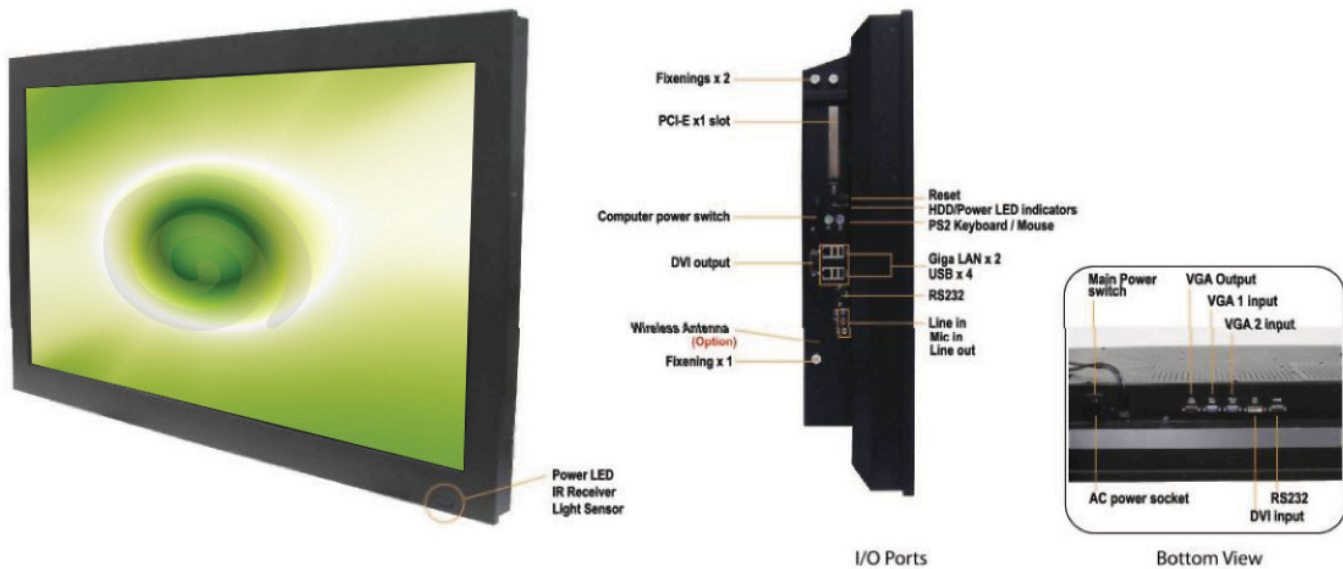


# WCHPC4200C2

42" Intel Core 2 Duo All-in-one Digital Signage System



## FEATURES:

- With or Without IR touch, bezel or Open frame ID design
- Deliberated System Integration Solution
- Easy to Swap Mother board / HDD
- Easy replacing bezel/bracket/touch screen/LCD
- IO connectors are easily accessed
- Stylish Looking (Thin /Ergonomic Design /Narrow front Bezel)
- Support 1920x1080 High Definition and 3D video content
- Intel Core 2 Dual CPU + Q965 + ICH8 Platform
- One PCI-Ex16 Slot for expansion
- One PCI-Ex1 Slot for expansion
- DualGiga LAN
- PCI-E mini Card slots for expansion
- Video Capture / TV tuner / Wireless LAN
- VGA output for Multiple Display Solution

<b>LCD Panel</b>	
Size	42"
Resolution (pixel)	Full HD( 1920 x 1080)
Aspect Ratio	16:9
Active Area (mm)	930.24 x 523.26
Pixel Pitch (mm)	0.4845
Number Of Colors	16.7M (8 bit)
Viewing Angle (H/V)	178/178
Brightness (cd/m )	500
Contrast Ratio	2500:1
Response Time(ms)(at 25'C )	6.5 (Gray to Gray)
CCFL Life Time	60,000 hours
Light Source	18 CCFL
<b>Storage</b>	
HDD	3.5"SATAII HDD drive bay x 1

<b>System</b>	
CPU	Socket 775, Intel Core 2 Duo Up to 2.66GHz (65W)
FSB	800MHz/1066MHz
Chipset	Intel 0965 chipset; •Intel 0965 Graphic Memory Controller Hub (GMCH) •Intel ICH8 I/O Controller Hub
BIOS	AWARD Flash BIOS
VGA	Intel Q965 integrated graphic subsystem (GMA3000)
Audio	Realtek ALC268 AC97 Audio Codec 2*2 channels
LAN	Realtek8111BGigaLANx2
Memory	Two 240-pin DDRII 533/667/800 DIMM sockets (Dual channels), supports max.4GB system memory
I/O	ICH8
SATA	Port x 4
GPIO	8-bit input, 8-bit output (5V) (pin head design in)
WDT	Generates system reset; 256 segments

<b>Touch Panel</b>	
1. Infrared type	
2. Light transmission: >92% Upto 100%	

<b>Expansion</b>	
PCI-E mini card slot	x 1 ((for wireless card))
PCI-Ex16	x1 (full size, one slot)
PCI-Ex1	x1 (full size, one slot)

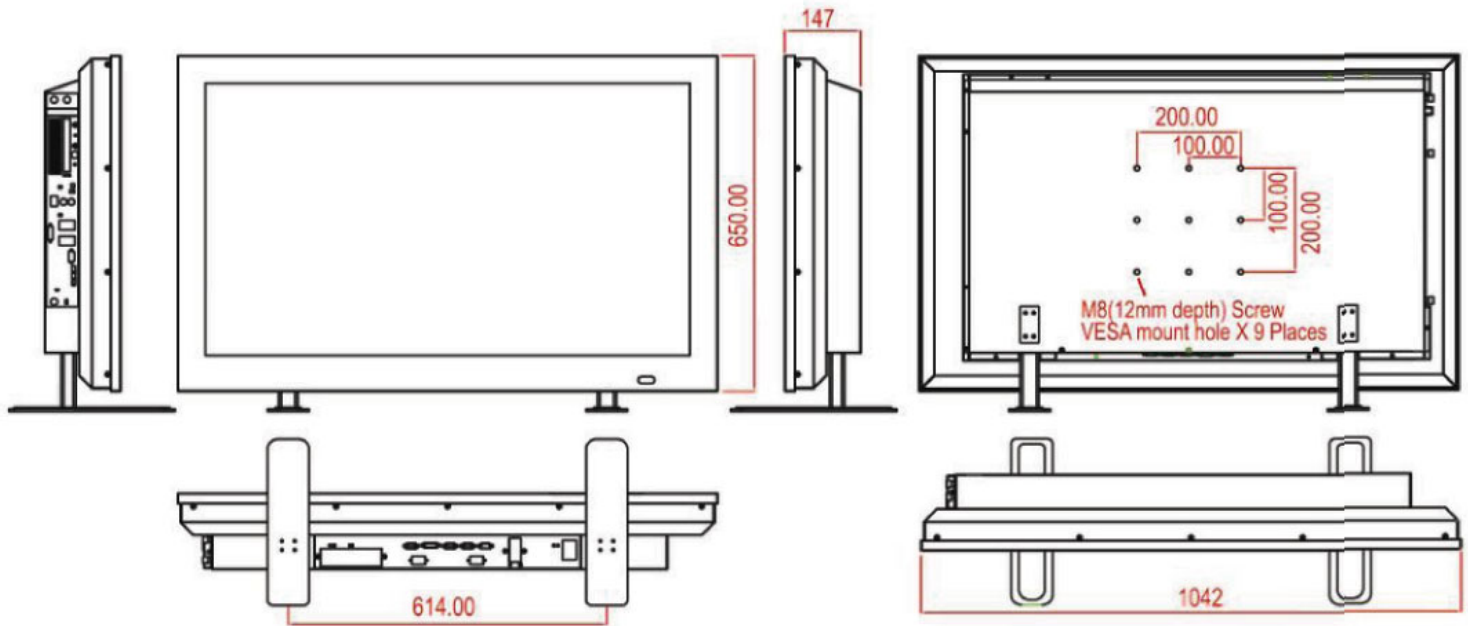
<b>Mechanical &amp; Environmental</b>	
Color	Standard: Black, Option: Silver
Operating Temperature	0'C-40'C
Storage Temperature	-20C-60C
Operating Humidity	10-90%
Storage Humidity	10-90%



# WCHPC4200C2

42" Intel Core 2 Duo All-in-one Digital Signage System

## MECHANICAL DRAWING:



### Optional Accessories

1. TV tuner function & Video capture function
2. Wireless LAN function: by PCI-E mini card
3. VGA card function
4. Stand x2
5. Bottom I/O cover
6. Side I/O cover
7. Web camera (1.3M pixels)
8. Speakers (5W+5W) (landscape, portrait)
9. Wall mount bracket (200 x 200 mmxmm)
10. Magnetic stripe card reader

### Optional Accessories

**Power input**  
Direct AC connector,  
ATX power supply to computer board,  
100-240VAC, 50/60HZ, 3.6A

**Power consumption and Ampere**  
Display only: 249W, 3A  
With computer module: 335W, 4A

**Power Switch**  
Main switch to turn on/off AC power  
(at the bottom side)  
Switch to turn on/off mother board  
(at the external I/O of PC side)

**Power LED**  
Power and HDD indicator at PC board

### System

<b>USB</b>	USB 2.0 x 4 (external x 4 internal x 4)
<b>COM</b>	RS232 x 1 (external: RS-232 x 1, internal RS-232/422/485x1)
<b>LAN</b>	RJ-45 x 2 (Gigabit Ethernet)
<b>KB/Mouse</b>	PS/2 Keyboard x1 & Mouse x 1
<b>Audio</b>	Line-in, Mic-in, Line out audio jacks
<b>DVI-D output</b>	x1
<b>IEEE1394 Fire wire</b>	x 1 {optional}
<b>GPIO connector</b>	(optional)
<b>VGA output</b>	x1
<b>VGA input</b>	X2
<b>DVI-I input</b>	x1
<b>RS232</b>	x1

### Dimensions and Weights

Standalone	WCHPC4200C2D	WCHPC4200C2D-IT
Weight (no stand) kg	38.6	46.1
Weight (with stand) kg	40.6	48.1
Dimension (no stand) mm (W) x mm (H) x mm (D)	1042 x 650 x 129	1042 X 650 X147
Dimension (with stand) mm (W) x mm (H) x mm (D)	1042 x 737 x 129	1042 X 737X147



i-Tech Company LLC

TOLL FREE: (888) 483-2418 • EMAIL: [info@iTechLCD.com](mailto:info@iTechLCD.com) • WEB: [www.iTechLCD.com](http://www.iTechLCD.com)