

Fanless & Slim Panel PC

Panel Mount Resistive Front IP66, 21.5" 1920x1080 LCD Panel, 1920 x1080(FHD) 170(H) / 160(V), 250 nits (Typ. Center point), CR:1000 : 1 (Typ)

Panel Mounted w/Full Flat Resistive, Wide Range DC-in x 19V~32V / 64.7 W (Max. without power adapter), 8th gen. WhiskyLake Core i5-8365UE, 1.6GHz



Model: WPCW21500-i5-TR-V3

FEATURES:

- Intel 8th Generation i5 CPU
- 21.5" 1920x1080 LCD Panel
- Panel Mounted w/ Full Flat Resistive Touch
- 8th gen. WhiskyLake Core i5-8365UE, 1.6GHz
- Full Flat Design Easy Clean & IP66 Front
- Wide Range DC Input
- Optional WLAN with External Antenna
- Optional Second HDD for RAID 0,1
- 8GB RAM
- 512 GB M.2 SSD x1
- Windows 10/2016 IoT Enterprise, 64-bit, Value ver. bundled with i5/Celeron CPU
- Resistive Front Flat Touchscreen

SPECIFICATIONS:

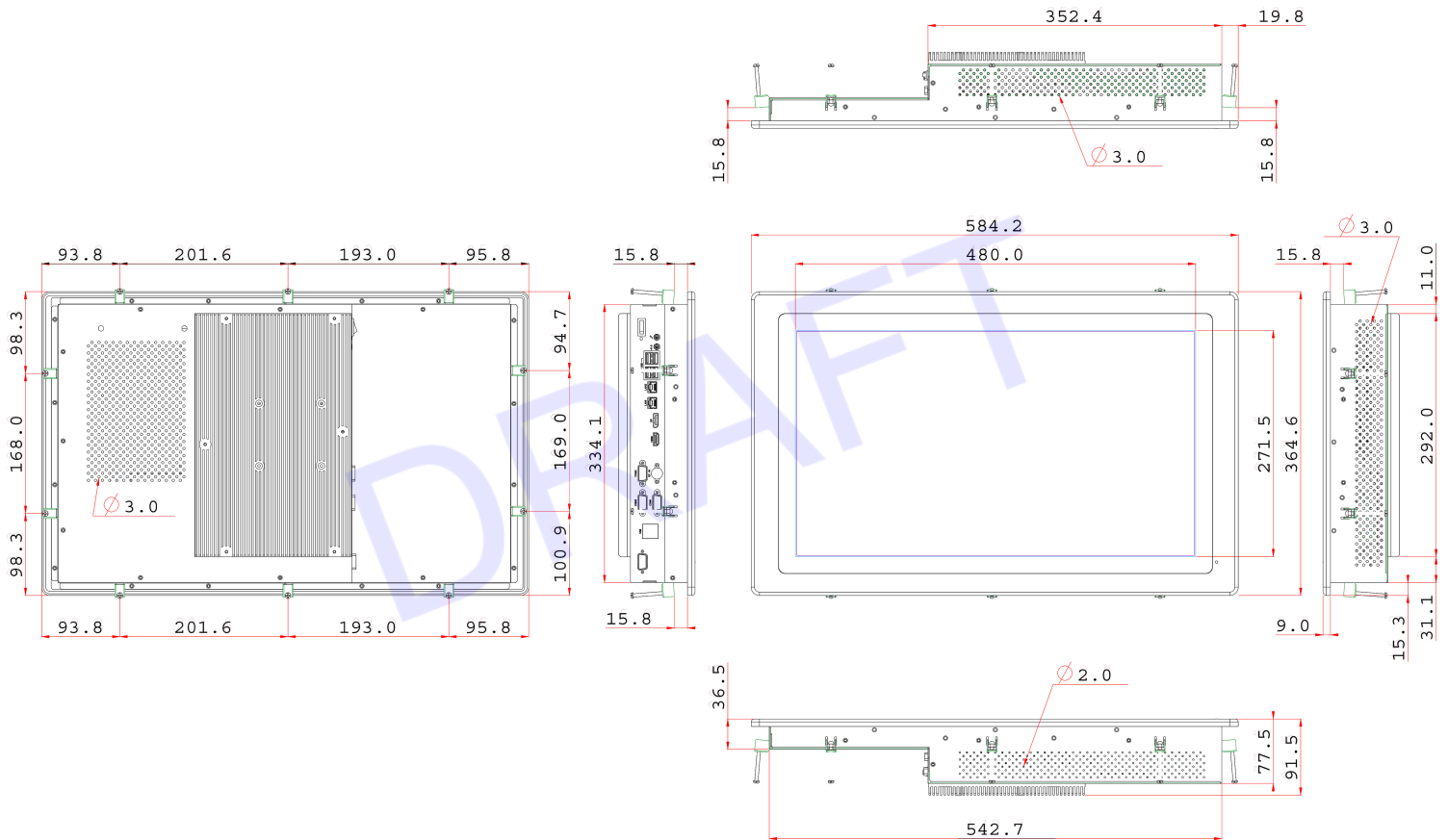
Main System	CPU	Intel® 8th Gen. Whiskey lake Core i5 MCP Processor, 15 W
	Graphic	Intel® UHD Graphics 620
	Memory	Dual channel support 2400MHz DDR4 SODIMM socket x 2, up to 32GB
	OS Support	Win 10 (64 bit)
Display	Size	21.5" 16:9
	Resolution (pixel)	1920 x 1080 (Full HD)
	Number of Colors	16.7M colors
	View Angle (H/V)	170(H) / 160(V)
	Brightness(cd/m ² , nit)	250 nits
Contrast Ratio	1000:1 (Typ)	
Touch Panel	Type	Full flat resistive touch panel (Single Touch)
	Light Transmission	80 ± 5%
	Hardness	3H
	Lifetime	35M times
Storage & Expansion	Storage	2.5" SATA HDD drive bay x 1 (with anti-vibration mechanism) Optional M.2 (KEY M, 2242/2260/2280) SSD X 1
	Expansion	M.2 (Key E, 2230) for Wireless x 1, Optional M.2 (Key B, 3042) with USB2.0 and SIM for 4G x 1
I/O Ports	USB	USB 3.1 x 4
	COM	RS-232 x 1, RS-232/422/485 x 2
	LAN	2 x RJ-45
	Audio / Video	3.5mm phone jack connector x 2 (Line-out, Mic-in)/HDMI x 1, DP x 1
	Control Keys	Rear bottom: Power on /off
Power	Power input	Wide Range DC-in x 19V~32V / 64.7 W
	Power adapter	100 Watts, 100 ~240V AC in, 19V DC out, 5.26A (PSU with PSE)
Environment	Temperature	Operating Temperature: 0~50°C (19V DC , air flow cooling) Storage Temperature: -20~65°C
	Humidity	Operating & Storage: 10 ~ 90%, non-condensing
	IP / IK resistance	IP66 at front, IK05
Mechanical Characteristics	Housing	Front bezel is Aluminum, others are SECC with black coating
	Dimensions (Net: mm)	584.2 (H) x 364.6 (V) x 91.5 (T)
	Weights (Net: kg))	9.6 kg
	Mounting	Panel mount, VESA (75x75)
Certification	CE/ FCC/ VCCI Class B	

*Specifications subject to change without notice. not responsible for typographical errors.

Modified Date: 11-30-2022

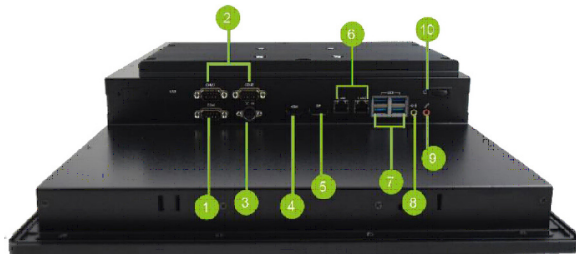
MECHANICAL DRAWINGS:

This is subject to change without Notice. Final Drawings Will be Provided for Approval after Order.

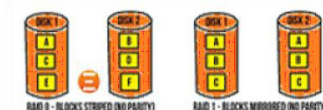


Drawing no.: WPCW21500-i5-TR-V3-11302022-V1

Major Options	
Add on Parts	1. Wireless and BT kit 2. 2.5" SSD 3. Stainless steel front bezel 4. Silver front bezel 5. TPM 2.0 6. Second HDD for RAID 0,1
Customized	1. Storage door Solution 2. Chassis type housing 3. Open frame housing 4. Sunlight readable by 1000 nit LCD + optical bonding (Impact protection level: IK08) 5. M.2 NVMe SSD 6. 4G wireless



- 1 RS232/422/485 x 1
- 2 RS-232 x 2
- 3 DC-in x 1
- 4 HDMI x 1
- 5 DP x 1
- 6 LAN x 2
- 7 USB 3.1 x 4
- 8 Line-out
- 9 Microphone
- 10 Power on/off



RAID 0,1 Ready to Prevent Data Loss