

VDPCW1000 Series

Fanless 10.1" WSVGA
Multi-Media Touch Panel PC



Key Features:

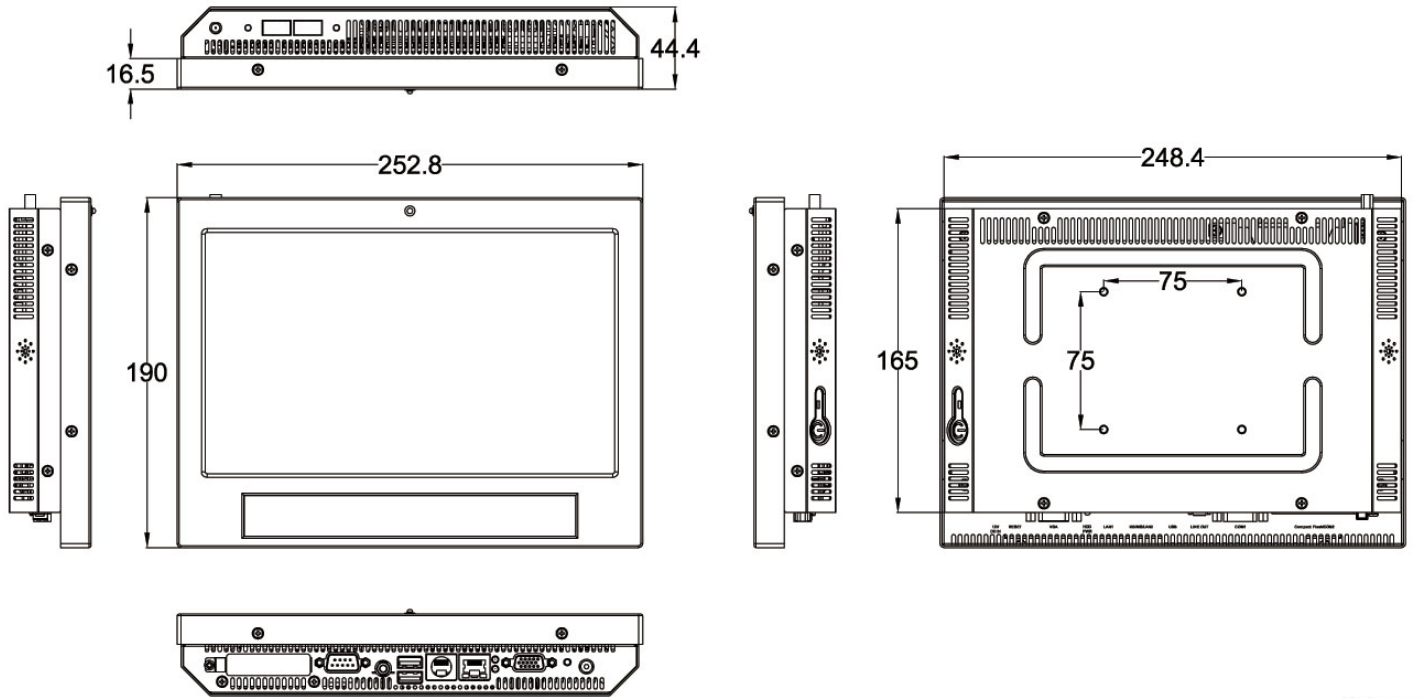
- 10.1" Multi Media Panel Computer
- VDPCW1000AT5/VDPCW1000AT7: Intel® Atom™ D525 Dual-Core 1.8GHz CPU
- VDPCW1000CDM5/VDPCW1000CDM7: AMD T40E Dual Core 1.0GHz CPU
- Gigabit Ethernet, Audio, 2W AMP
- 1 CF, 1 COM, 3 USB
- Optional 1.3M Camera, WiFi Module
- Fanless System & VESA Compliance
- Wide Voltage +12V ~ +28V Input, ErP Power
- Full Aluminum Design for 1.24kg Only
- Power-On Timer, IP-65 Compliant Front Panel

Specifications:

Model	VDPCW1000AT5/VDPCW1000AT7	VDPCW1000CDM5/VDPCW1000CDM7
• LCD Size	10.1", 17:10	10.1", 17:10
• Resolution	1024 x 600 WSVGA	1024 x 600 WSVGA
• Pixel Pitch	0.21525mm (H) x 0.21525mm (V)	0.21525mm (H) x 0.21525mm (V)
• Luminance	200cd/m ²	200cd/m ²
• Contrast Ratio	500:1	500:1
• Viewing Angle	50 (U), 60 (D), 70 (L), 70 (R)	50 (U), 60 (D), 70 (L), 70 (R)
• Response Time	25ms	25ms
• Backlight	LED Backlight	LED Backlight
• Touch Screen	5-wire Resistive	5-wire Resistive
• Light Transmission	80%	80%
• Touch Interface	USB	USB
System		
• Board	EBM-PNV	EBM-A50M
• CPU	Onboard Intel® Atom™ D525 Dual Core 1.8GHz CPU	Onboard AMD Fusion™ Accelerated Dual-Core Processor T40E Dual Core 1.0GHz CPU
• BIOS	AMI 8Mbit Flash BIOS	AMI 32Mbit SPI BIOS
• System Chipset	Intel® ICH8-M Chipset (2.4W)	AMD A50M
• I/O Chip	Winbond W83627DHG	Winbond W83627DHG-P
• System Memory	Onboard 1GB Up to 2GB & One 204-pin SODIMM Supports Up to 4GB DDR3 800MHz SDRAM	Onboard 2G DDR3 1066 SDRAM, One 204-pin DDR3 SODIMM Up to 4GB DDR3 1066MHz SDRAM
• SSD	One CF Socket Supports Type I/II Compact Flash Card	One CompactFlash Type I/II Socket
• Hard Drive Bay	Optional One 2.5" HDD or SSD	Optional One 2.5" HDD or SSD
• WiFi	Optional Mini PCIe WiFi 802.11b/g/n	Optional Mini PCIe WiFi 802.11b/g/n
• Watchdog Timer	Reset: 1 ~ 255min. and 1sec. or 1min./step	Reset: 1sec. ~ 65535 sec./min. and 1sec. or 1min./step
• H/W Status Monitor	Monitoring System Temperature, Voltage, with Auto Throttling Control	Monitoring System Temperature, Voltage, with Auto Throttling Control
• Expansion	2 x Mini PCIe Slot	2 x Mini-PCIe (mSATA Supported)
Rear I/O		
• Serial Port	1 x RS-232/422/485 (Selected by Jumper)	1 x RS-232/422/485 (Selected by Jumper)
• Ethernet	1 x RJ-45 (Intel® 82574L Gigabit Ethernet, Optional Dual 82574L Gigabit Ethernet)	2 x RJ-45 (RealTek RTL8111E Gigabit Ethernet, Optional Dual RealTek RTL8111E Gigabit Ethernet)
• VGA	1 x DB-15	1 x HDMI (Co-layout with Displayport)
• Audio	1 x Line-out (Realtek ALC888 Supports 5.1-CH Audio)	Line-out (Realtek ALC892 supports 7.1-CH Audio)
• USB	3 x USB 2.0 (1 is Behind Front Panel PMMA Cover for USB Dongle Under 26.5 x 76 x 12.3mm)	3 x USB 2.0 (1 is Behind Front Panel PMMA Cover for USB Dongle Under 26.5 x 76 x 12.3mm)
• Mouse & K/B	1 x PS/2 KB & MS	1 x PS/2 KB & MS (Co-layout with 1 x RJ-45)
• Speaker	2 x 2W	2 x 2W



Diagram:



Unit: mm

Environment & Mechanical	
• Color	Front & Rear Panel Black (Plastic)
• Mounting	Wall/ Stand/ VESA 75mm x 75mm
• System Power Requirement	+12 ~ 28V DC Power Input/ +12V DC Power Input
• Power Adapter	Input: 100 ~ 250VAC/ 47 ~ 63Hz; Output: 60W Adapter (12V @ 5A Adapter)
• Operating Temperature	-10 ~ 55°C (14 ~ 131°F)
• Storage Temperature	-20 ~ 75°C (-4 ~ 167°F)
• Relative Humidity	5% ~ 90% Relative Humidity, Non-condensing
• Dimensions (W x D x H)	252.8mm x 190mm x 44.4mm
• Weight	1.22Kgs