

VCPCW1700AM

17" SXGA TFT Touch Panel PC

Intel® /
AMD

Touch
Screen

5W
Speaker

GbE

CF

2 COM

5 USB

VESA



Key Features:

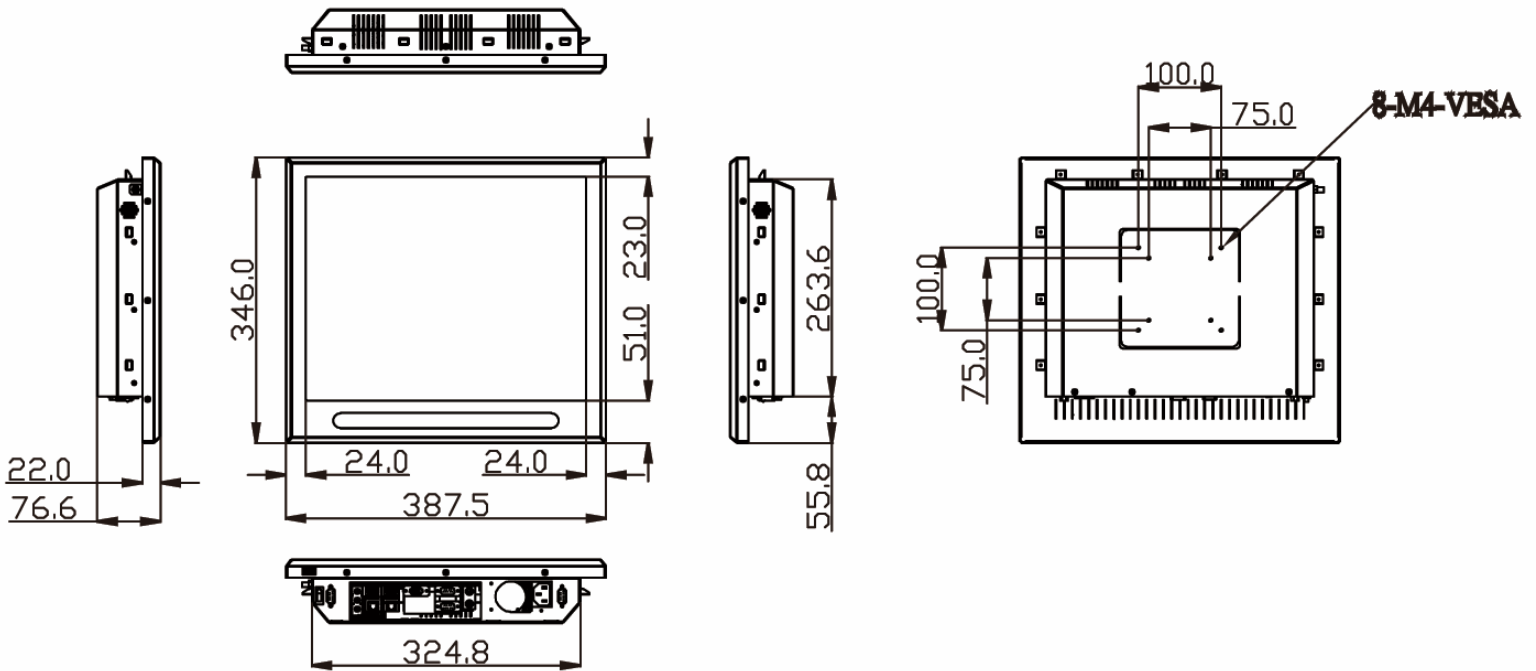
- 17" SXGA TFT Touch Panel PC
- 5-wire Resistive Touch Screen
- AMD RS780E/ SB710 Chipset
- VGA, DVI, Audio, 2 x 5W Speakers
- Gigabit Ethernet, Optional WiFi Module
- 1 CF, 2 COM, 5 USB
- Supports 2.5" SATA HDD
- IP-65 Compliant Front Panel
- VESA Compliance

Specifications:

Model	VCPCW1700AM
• LCD Size	17.0", 4:3
• Display Type	SXGA TFT
• Resolution	1280 x 1024, 16.7M
• Pixel Pitch	0.264mm (H) x 0.264mm (V)
• Luminance	380cd/m ²
• Contrast Ratio	1000:1
• Viewing Angle	80 (U), 85 (D), 85 (L), 85 (R)
• Response Time	5ms
• Backlight	4 x CCFL
• Touch Screen	5-wire Resistive
• Light Transmission	80%
• Touch Interface	USB
System	
• CPU	Supports AM2/ AM2+/ AM3 Socket Support 65W Athlon/ Athlon X2/ Quad-Core™ AMD Phenom™ II Processors
• Cooling Method	Active CPU Cooler
• System Chipset	AMD RS780E/ SB710
• I/O Chip	FINTEK F71863FG
• System Memory	Two 200-pin SODIMMs Support Up to 4GB DDR2 800 SDRAM
• SSD	One CompactFlash Type I/II Socket
• Hard Drive Bay	1 x 2.5" SATA HDD
• Expansion	1 x Mini PCIe
Rear I/O	
• Serial Port	2 x RS-232
• Ethernet	2 x RJ-45 (Realtek RTL8111D Gigabit Ethernet)
• WiFi	Optional USB WiFi 802.11 b/g (Occupies One USB Port)
• VGA	1 x DB-15
• DVI	N/A
• HDMI	1 x HDMI
• Audio	Line-out, Line-in, Mic-in
• USB	5 x USB 2.0
• Mouse & K/B	1 x PS/2 Keyboard Connector
• Speaker	2 x 5W



Diagram:



Unit: mm

Environment & Mechanical	
• System Fan	1 x System Fan
• Color	Front Panel Black; Rear Panel Black
• Mounting	Wall/ Stand/ VESA 75mm x 75mm and 100mm x 100mm
• Power Input	100 ~ 240VAC
• Power Output	180W
• Operating Temperature	0°C ~ 40°C (32°F ~ 104°F)
• Storage Temperature	-10°C ~ 50°C (14°F ~ 122°F)
• Relative Humidity	10% to 95% @ 40°C, Non-condensing
• Dimensions (W x D x H)	387.5mm X 346mm X 76.6mm
• Weight	6.14Kgs

