

# TOUCH MONITORS

## 21.5" Widescreen Multi-touch LCD Monitor (Model: TW2150-TPC)



TPC is a broad line of *projected capacitive* touch monitors that bring an advanced consumer-product *touch* experience to the industrial market.

- Multi-touch capability
- Elegant industrial design
- Superior touch screen durability
- Easy integration

### FEATURES:

#### Easy To Deploy

Plug-and-play ready. Universal power connection adapts to 100 – 240V AC, 50/60 Hz.

#### Sophisticated Bezel-Free Design

Smooth touch surface across the entire face of the monitor for refined aesthetics and easy cleanability.

#### Widescreen or 4:3 Aspect Models

TPC monitors offer a choice of 4:3 aspect ratios or 16:9 ratios in larger selected sizes.

#### Effortless Touch Experience

Projected capacitive touch technology provides a smooth, effortless touch experience you expect from many of your favorite consumer touch devices.

#### Open Frame Models Available

All TPC monitors are also available in an open-frame configuration that allows simple integration into your final product design.

#### Greater Durability

Optically bonded cover glass provides a highly durable surface for longer, trouble-free service life.

#### Installation Flexibility

VESA mount or durable heavy-duty stand, which can be locked, gives you a choice of fixed or desktop mounting

#### Windows 7 Certified

TPC multi-touch projected capacitive monitors are certified to be compatible with Windows 7 by Microsoft.



## SPECIFICATIONS:

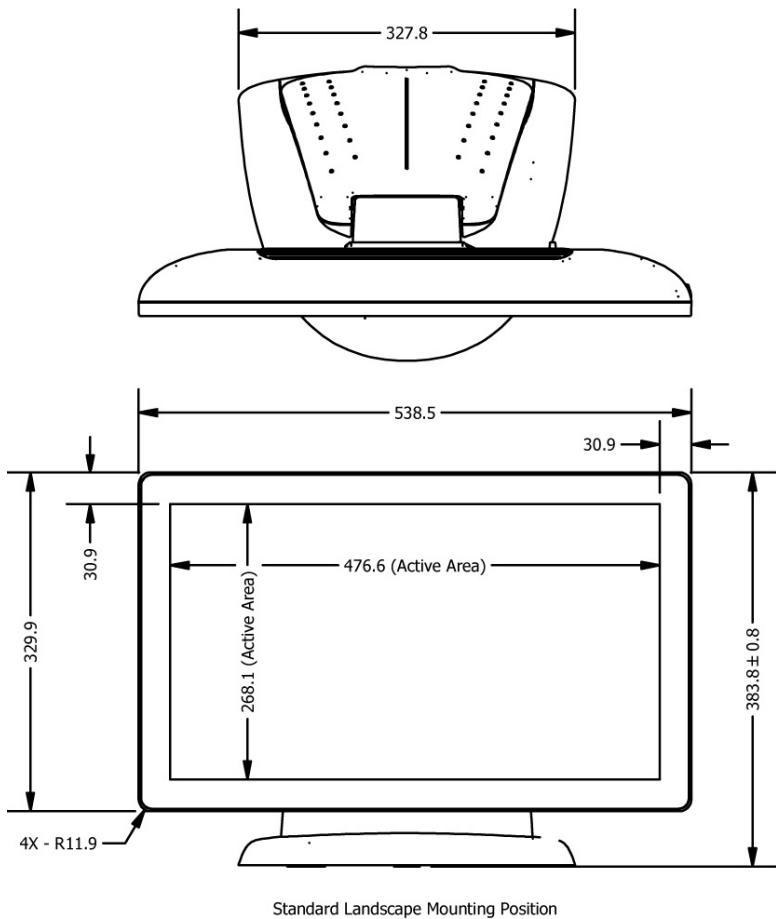


Model	T1500-TPC	T1900-TPC	TW2150-TPC
LCD Size / Type	15" diagonal TFT Active Matrix Panel	19" diagonal TFT Active Matrix Panel	21.5" diagonal TFT Active Matrix Panel
Net Weight – Desktop	11.0 lb	21.8 lb	23.1 lb
Net Weight – Open Frame	7.3 lb	12.2 lb	13.0 lb
Power Supply	100 – 240V AC (Desktop); 12V DC (Open Frame)	100 – 240V AC (Desktop); 12V DC (Open Frame)	100 – 240V AC (Desktop); 12V DC (Open Frame)
Aspect Ratio	4:3	4:3	16:9
Pixel Pitch	0.297 (H) X 0.297 (V) mm	0.294 (H) X 0.294 (V) mm	0.294 (H) X 0.294 (V) mm
Panel Resolution (Max.)	1024 X 768	1280 X 1024	1920 X 1080 (Full HD)
Contrast Ratio	500:1	800:1	1000:1
Brightness (Typical)	225 nits	225 nits	270 nits
Response Time (Typical)	8 ms	5 ms	5 ms
Viewing Angle – Horizontal	140°	160°	160°
Viewing Angle – Vertical	125°	160°	160°
Video Signal Input	D-sub 15 pin Female (Analog)	D-sub 15 pin Female (Analog) / DVI-D	D-sub 15 pin Female (Analog) / DVI-D
Temperature – Operating	0°C ~ +40°C	0°C ~ +40°C	0°C ~ +40°C
Temperature – Storage	-20°C ~ +60°C	-20°C ~ +60°C	-20°C ~ +60°C
Humidity – Operating	20% ~ 80% (Noncondensing)	20% ~ 80% (Noncondensing)	20% ~ 80% (Noncondensing)
Humidity – Storage	10% ~ 90% (Noncondensing)	10% ~ 90% (Noncondensing)	10% ~ 90% (Noncondensing)
Audio (Desktop Only)	1W Speaker / 2 Channels	1W Speaker / 2 Channels	2W Speaker / 2 Channels
Compliance	TUV, CE, UL, CUL, FCC-B, RoHS, IPX1	TUV, CE, UL, CUL, FCC-B, RoHS, IPX1	TUV, CE, UL, CUL, FCC-B, RoHS, IPX1
Touch Technology	Projected Capacitive	Projected Capacitive	Projected Capacitive
Touch Interface	USB (Type-B)	USB (Type-B)	USB (Type-B)
Multi-Touch Support	At least 2 unambiguous points	At least 2 unambiguous points	At least 2 unambiguous points
Maximum Report Rate	75 points per second	75 points per second	75 points per second
OS Supported	Windows 7, Linux	Windows 7, Linux	Windows 7, Linux

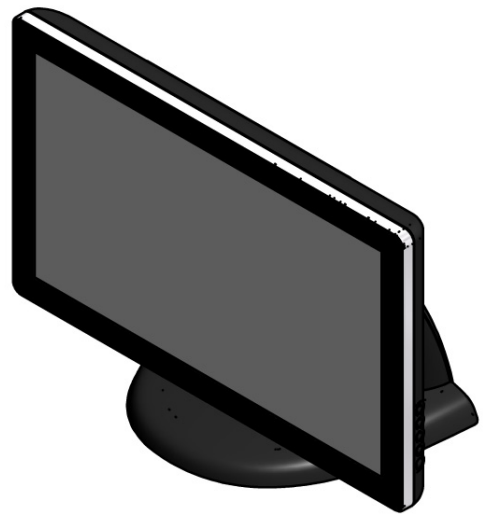
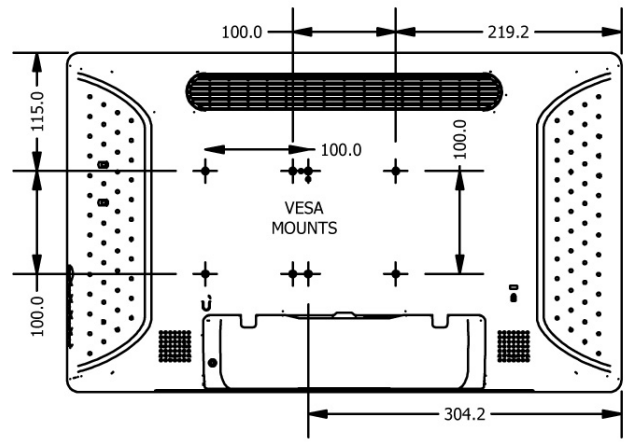
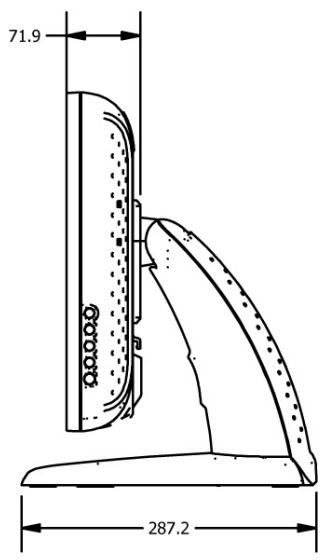
Specifications are subject to change without notice.

# MECHANICAL Drawing:

Note:  
For the VESA mounts, the distance between the back cover surface and the bottom of the screw hole is 8 mm. Please use four M4 screws with the proper length to mount the monitor.



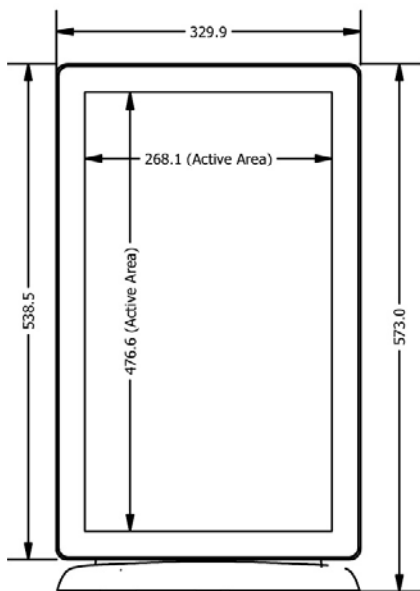
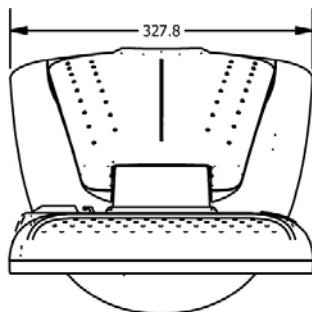
Tolerance Table	
Dimension Range	Tolerance (mm)
Under 25 mm	0
25.1 - 100 mm	0.2
100.1 - 250 mm	0.4
250.1 - 400 mm	0.8
400.1 - 500 mm	1.5
500.1 - 630 mm	2.0
630.1 - 800 mm	2.5



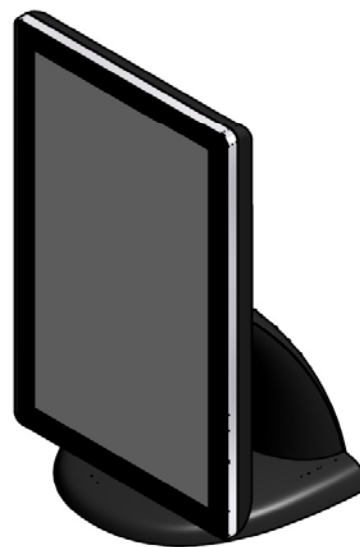
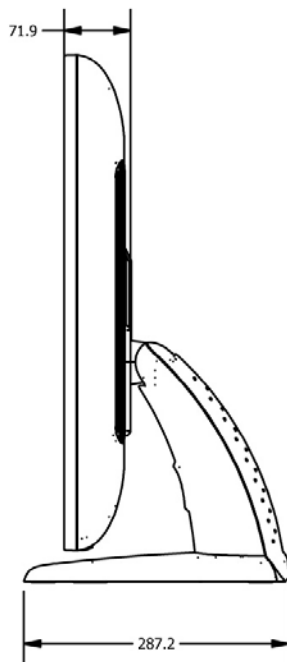
## MECHANICAL Drawing:

Note:

For the VESA mounts, the distance between the back cover surface and the bottom of the screw hole is 8 mm. Please use four M4 screws with the proper length to mount the monitor.

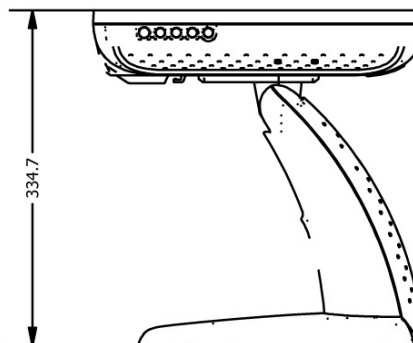


Alternate Portrait Mounting Position



**Tolerance Table**

Dimension Range	Tolerance (mm)
Under 25 mm	0
25.1 - 100 mm	0.2
100.1 - 250 mm	0.4
250.1 - 400 mm	0.8
400.1 - 500 mm	1.5
500.1 - 630 mm	2.0
630.1 - 800 mm	2.5



Alternate Tablet Position



i-Tech Company LLC  
TOLL FREE: (888) 483-2418 • EMAIL: [info@itechlcd.com](mailto:info@itechlcd.com) • WEB: [www.iTechLCD.com](http://www.iTechLCD.com)