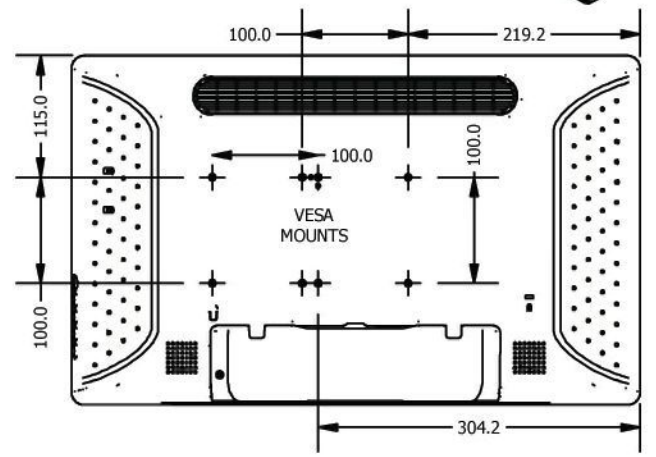
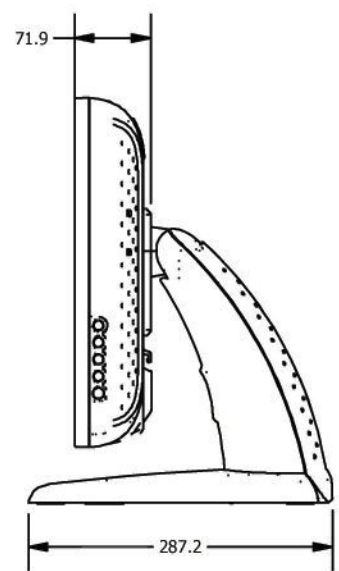


Standard Landscape Mounting Position

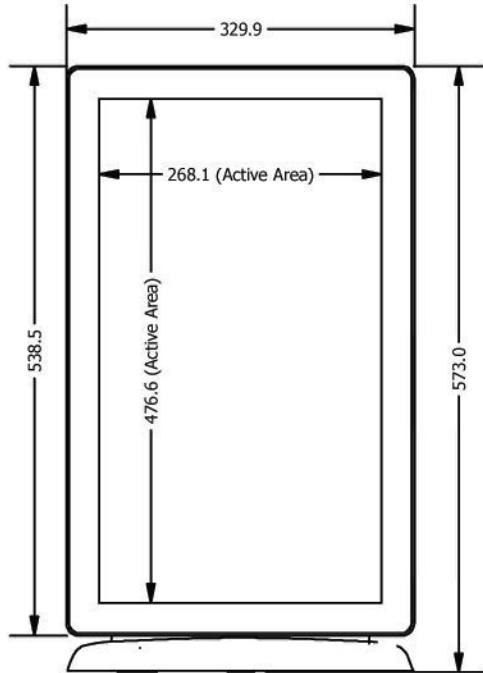
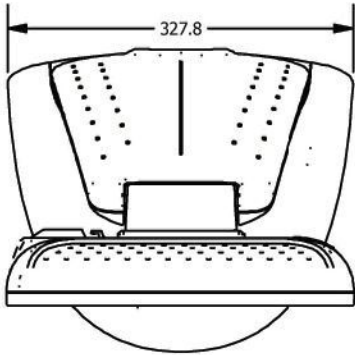


Note:  
For the VESA mounts, the distance between the back cover surface and the bottom of the screw hole is 8 mm. Please use four M4 screws with the proper length to mount the monitor.

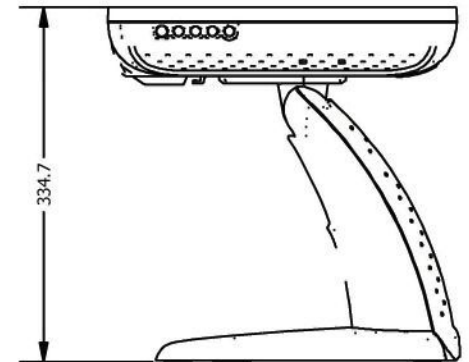
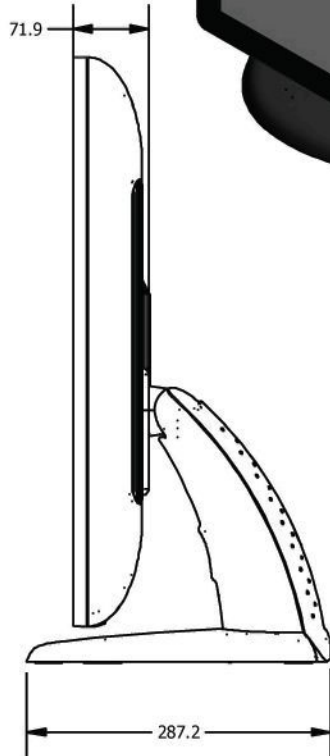
Tolerance Table	
Dimension Range	Tolerance (mm)
Under 25 mm	0.1
25.1 - 100 mm	0.2
100.1 - 250 mm	0.4
250.1 - 400 mm	0.8
400.1 - 500 mm	1.5
500.1 - 630 mm	2.0
630.1 - 800 mm	2.5

REV	DATE	DESCRIPTION	BY
01-a	1/25/2011	Initial Release	MPB

<b>i-Tech Company LLC</b>			
TRü 21" Desk Top Touch Monitor Overview and Mounting Geometry			
DR: MPB	CK:	Material:	SCALE: NTS
DATE: 1/25/2011		SHEET: 1 OF 2	
DWG. No. TW2150-TPC-D		VER. 01	THIRD ANGLE VIEW



Alternate Portrait Mounting Position



Alternate Tablet Position

Note:  
For the VESA mounts, the distance between the back cover surface and the bottom of the screw hole is 8 mm. Please use four M4 screws with the proper length to mount the monitor.

Tolerance Table	
Dimension Range	Tolerance (mm)
Under 25 mm	0.1
25.1 - 100 mm	0.2
100.1 - 250 mm	0.4
250.1 - 400 mm	0.8
400.1 - 500 mm	1.5
500.1 - 630 mm	2.0
630.1 - 800 mm	2.5

REV	DATE	DESCRIPTION	BY
01-a	1/25/2011	Initial Release	MPB

**TOLERANCING**  
UNLESS OTHERWISE SPECIFIED  
ALL DIMS ARE mm  
X ±0.2 RADIUS ±0.15  
XX ±0.10 ANGLES ±0.5  
DO NOT SCALE DRAWING

**i-Tech Company LLC**

TRü 21" Desk Top Touch Monitor  
Overview and Mounting Geometry

DR: MPB CK: Material: SCALE: NTS  
DATE: 1/25/2011 SHEET: 2 OF 2  
DWG. No. TW2150-TPC-D VER. 01

THIRD ANGLE VIEW

2

1

2

1