

# Open Frame Loose Kit Module

Open frame loose kit module, LCD panel, Inverter, OSD, LVDS, AToD board, DC adapter, 19" 4:3 LED High Brightness 1000nits, 1280x1024, VGA Input with SAW (Surface Acoustic Wave) touch Screen and USB Controller



(Model: TSK1900HB-SW)

## FEATURES:

- \* VGA Input / Optional DVI Input
- \* Optional RCA Composite Video + Speaker
- \* Optional 5-Wire Resistive / Capacitive / SAW Touch supports all Windows / Linux OS
- \* 4:3 Screen High LED Back-Light 1000nits

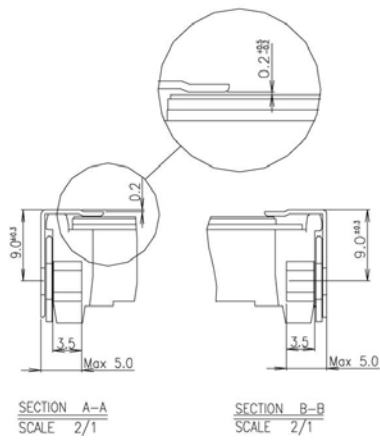
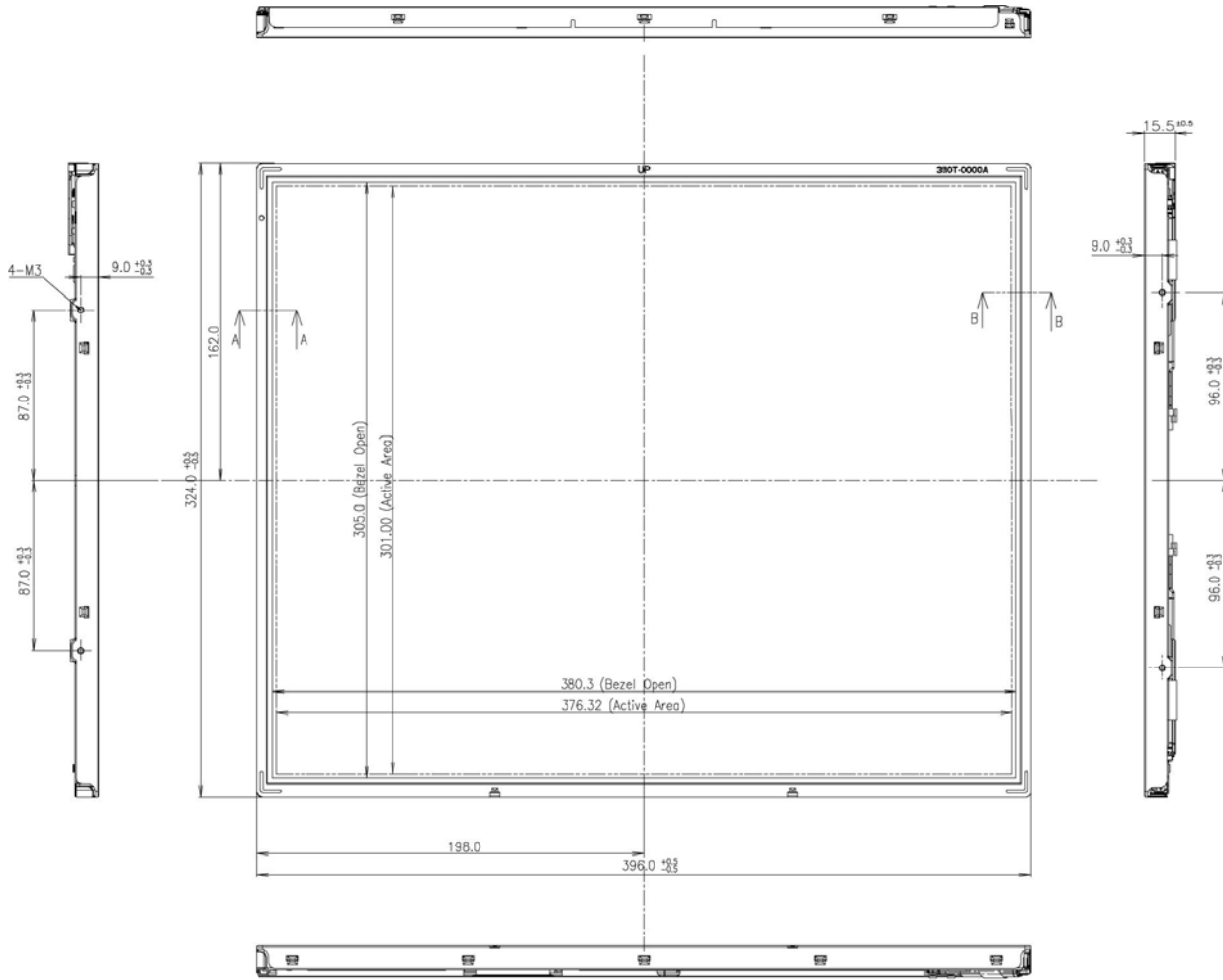


## Specifications:

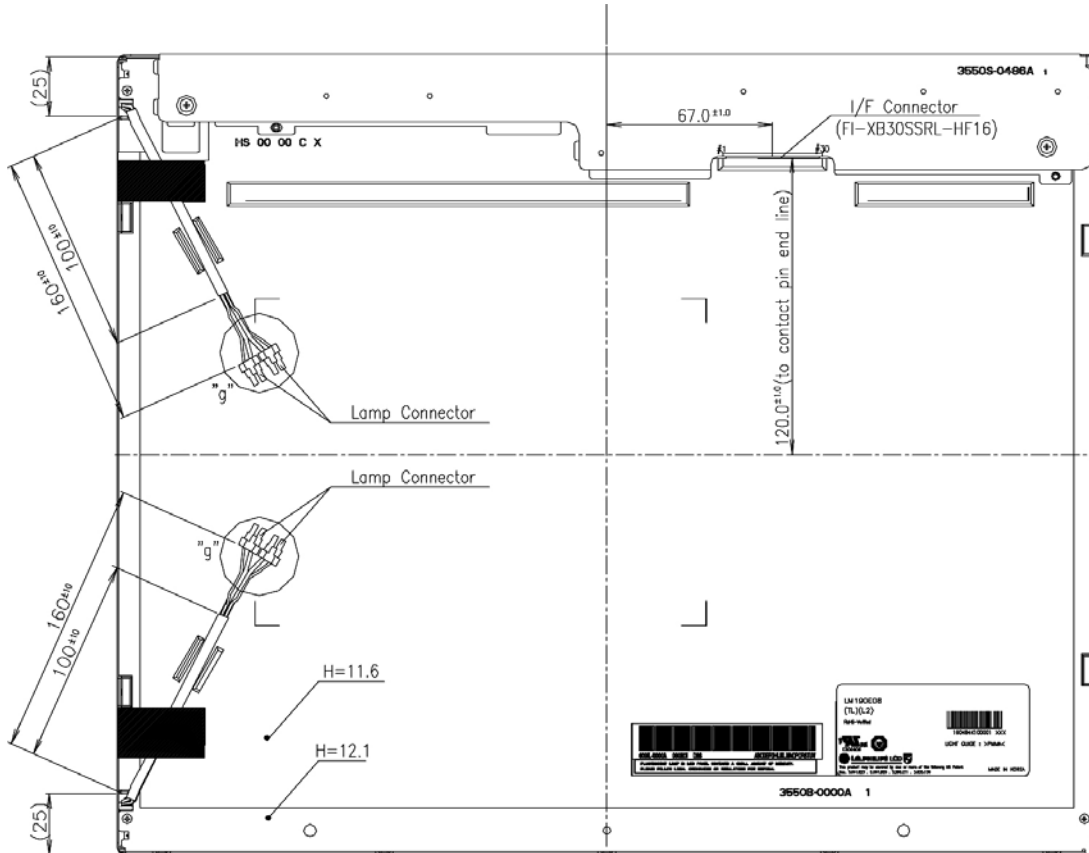
Active screen size	19.0 inches (481.9mm) diagonal
Outline Dimension	396.0(H) x 324.0(V) x 15.5(D) mm(Typ.)
Pixel Pitch	0.098*RGB(H)mm x 0.294(V)mm
Pixel Format	1280 horizontal By 1024 vertical Pixels. RGB stripe arrangement
Interface	LVDS 2Port
Color depth	16.7M colors
Luminance, white	1000 cd/m2 ( Center 1Point, typ)
Viewing Angle (CR>10)	R/L 160(Typ.), U/D 160(Typ.)
Power Consumption	Total 24.03 Watt(Typ.), (3.43 W@VLCD , 20.6 W@[Lamp=7.5mA])
Weight	1950g (Typ.)
Display operating mode	Transmissive mode, normally White
Surface treatments	Hard coating (3H), Anti-glare treatment of the front polarizer
Power Supply Input Voltage	-0.3 ~ +5.5 Vdc
Operating Temperature	0 ~ 50 °C
Storage Temperature	-20 ~ 60 °C
Operating Ambient Humidity	10 ~ 90 %RH
Storage Humidity	10 ~ 90 %RH

Drawings

Front

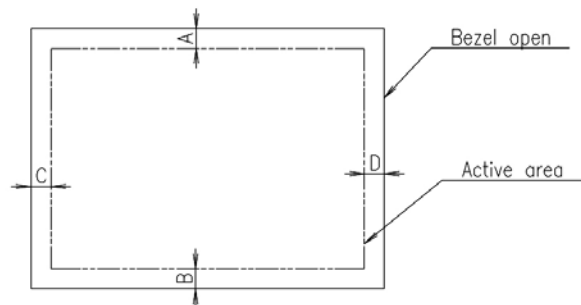


Rear

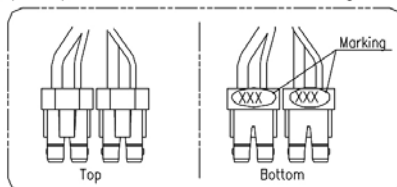


Notes

1. Backlight : 4 Cold Cathode Fluorescent Lamps.
2. I/F Connector Specification : FI-XB30SSRL-HF16
3. Torque of user hole : 3.0~4.0 kgf-cm
4. Tilt and partial disposition tolerance of display area as following
  - (1) Y-Direction : IA-BI ≤ 1.0
  - (2) X-Direction : IC-DI ≤ 1.0



5. Lamp(CCFL) No. is marked at back light connector



6. Do not wind conductive tape around the backlight wires
7. Unspecified tolerances to be ± 0.5mm