

Open Frame Loose Kit Module

Open frame loose kit module, LCD panel,
Inverter, OSD, LVDS, AToD board, DC adapter,
8" 4:3 LED 250nits, 800x600, VGA Input



(Model: TSK0800)

FEATURES:

- * VGA Input
- * Optional RCA Composite Video + Speaker
- * Optional 5-Wire Resistive / Capacitive Touch supports all Windows / Linux OS
- * 4:3 Screen LED Back-Light 250nits



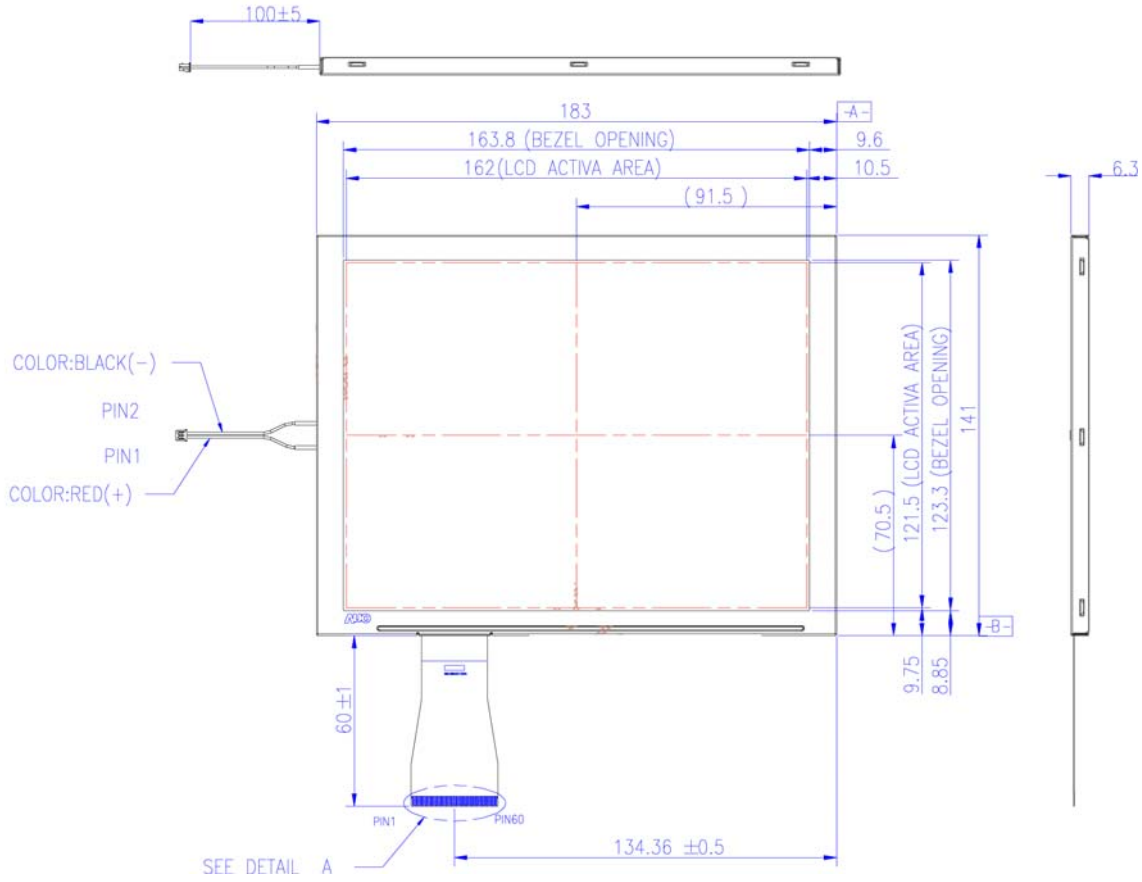
Specifications:

Screen Size	8(Diagonal)
Display Resolution	800RGB(W)x600(H)
Overall Dimension	183(W)x141(H)x6.3(D)
Active Area	162(W)x121.5(H)
Pixel Pitch	0.2025(W)x0.2025(H)
Color Configuration	R. G. B. Stripe
Color Depth	16.7M Colors
NTSC Ratio	50
Display Mode	Normally White
Panel surface Treatment	Anti-Glare, 3H
Weight	235 ±10
Panel Power Consumption	260
Backlight Power Consumption	2.08
Viewing direction	6 o' clock (gray inversion)

Drawings

Front View

- NOTES:
 1.GENERAL TOLERANCE:±0.3mm
 2.LED LIGHTBAR CONNECTOR:H201K-P02N-02B (MOLEX 51021-0200 COMPATIBLE)
 3.FPC CONNECTOR:XF2M-6015-1AH BY omz
 4.THE BENDING RADIUS OF FPC SHOULD BE LARGER THAN 0.6mm.



Rear View

