

Fanless Front Stainless PANEL PC

High Brightness 1000nits

19" Intel C2D High Brightness PANEL PC

Intel C2D T5500(1.66GHz) Panel PC
High Brightness 1000nits
Anti Vibration HDD Kit

IP65 in Front & Side Frame
Easy install HDD Tray
Compact & SLIM Design



Model: **PNPC1900HBC2D**

FEATURES:



■ IP65 in Front & Side Frame



■ HDD Anti-Vibration
Easy-install kit

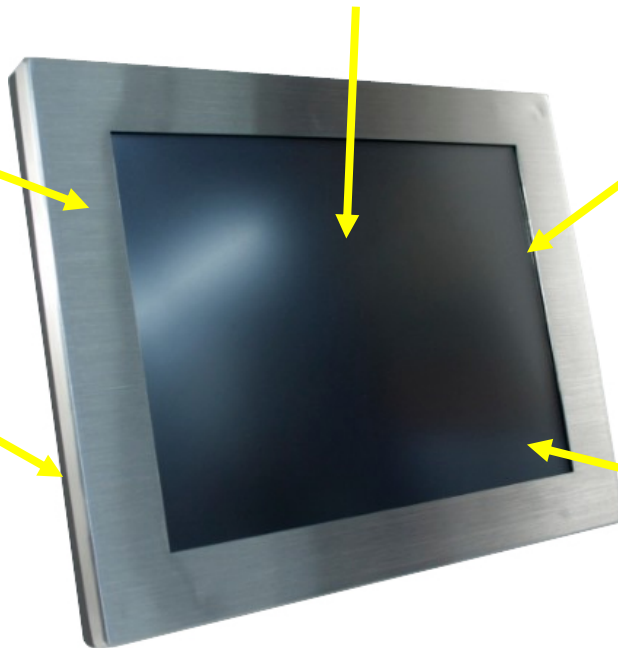


■ Ultra Slim Design

Intel C2D Panel PC: all in one PC with stainless steel Front bezel.

Stainless Steel Front Bezel:
Reduced dirt adhesion for easier cleaning and maintenance

Built in Speakers at the side



IP65/NEMA4:
Front Water and dust proof. Totally protected against dust, Protected against low pressure jets if water from all directions, limited ingress permitted

5 Wire Resistive Touch:
long life. Its durability and reliability are the features which make it enable to incorporate in heavy industry machinery, commercial markets and electronic equipment



i-Tech Company LLC
TOLL FREE: (888) 483-2418 • EMAIL: info@iTechLCD.com • WEB: www.iTechLCD.com

Side Easy Access I/O:

COM3
Side ON/OFF.
LED Light



Easy Install HDD Tray:
One screw away to remove the HDD easy for access and service

VESA mounting at the back

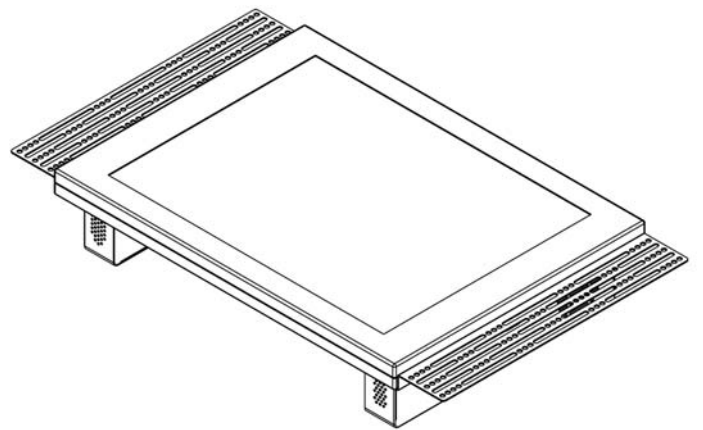
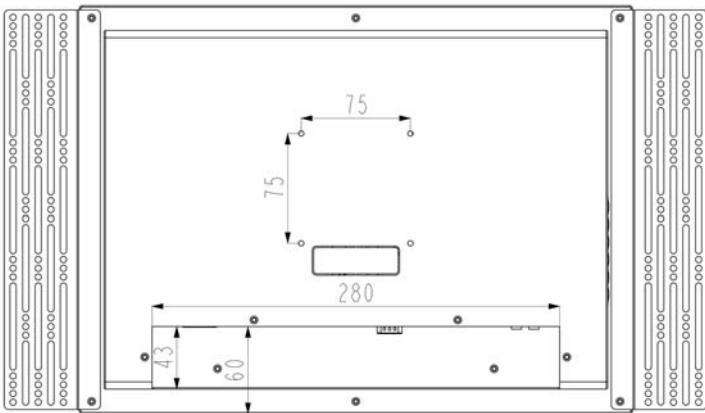
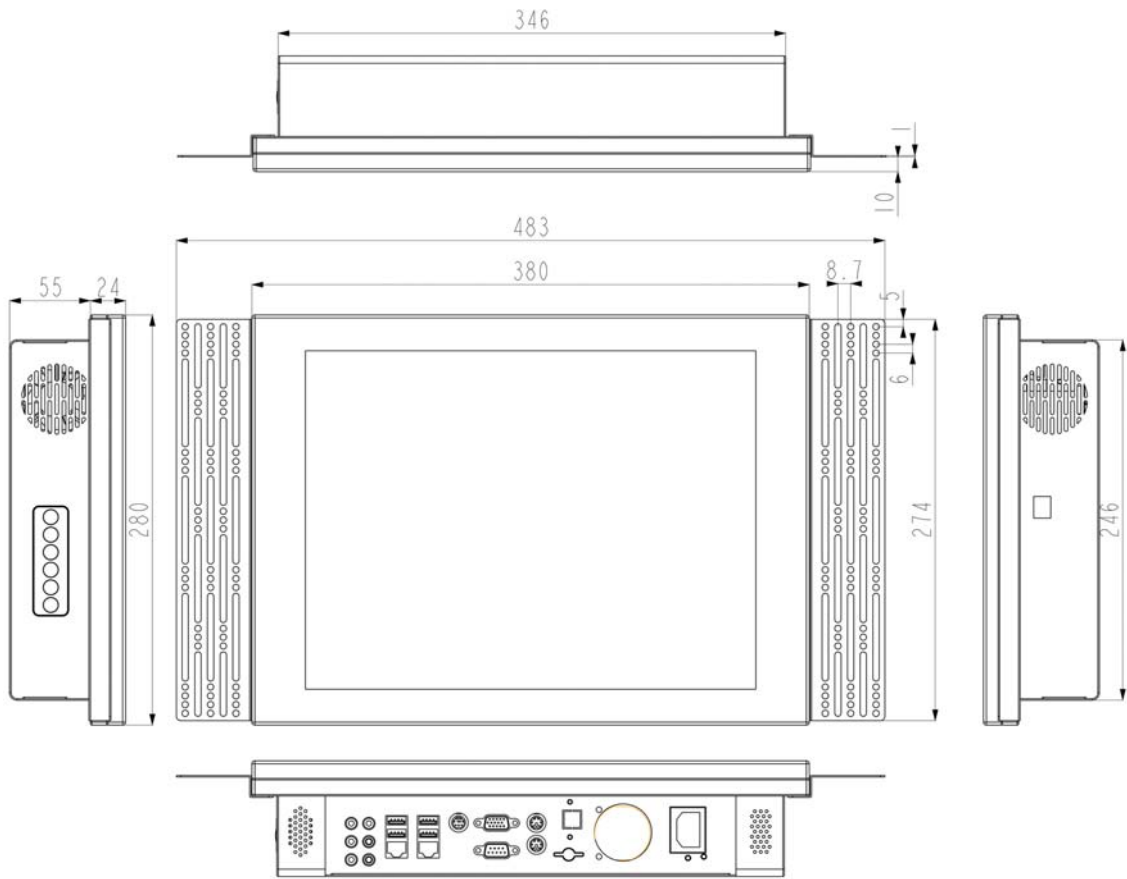
SPECIFICATIONS:

<i>System</i>	
Motherboard Type	Intel
Form Factor	Mini ITX
System Chipset	Intel945GM + ICH7M
CPU Supporting	Intel Core 2 Duo T5500 (1.66GHz)
FSB	667MHz
DIMM Socket	2x 240-pin dual-channel DDR2/667 up to 4GB; default 1GB
Graphic	Integrated Intel 945GM
Audio	Realtek ALC883 HD Audio
LAN Controller	Dual PCIe BCM5787M GbE
I/O Connector	RJ-45 x2, Serial Port, 1 USB Port* 4, VGA Port- 1, HDTV-out x1, PS/2 Mini DIN Keyboard Port & Mouse Port, Mini PCI socket onboard

<i>Display</i>	
Size	19"; 1280 x 1024
Contrast Ratio	800 : 1
Brightness	1000cd/m ²

<i>Mechanical</i>	
Touch	Default Taiwan 5wire resistive touch
Device	default 80GB 2.5" SATA HDD
Power Supply	ADAPTER 12V/7A 84W (S-JACK-4) (RoHS)
Bezel	Stainless
Dimension	416 x 85 x 327 mm (W x D x H)
Operating Temp	0°-40°C (Fanless)
Relative Humidity	10%-90%@50°C. non-condensing
Vibration	5-17.01" double amplitude displacement. 17-640HZ.1 5G acceleration perk to perk
Shock	10-25Hz(X.Y.Z direction 2G.30 minutes)
Features	IP65 in front & side frame

Wall Mount Plate Kit:



Mechanical Drawing:

